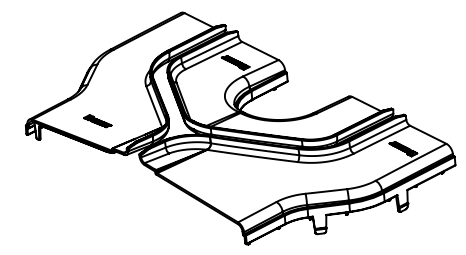
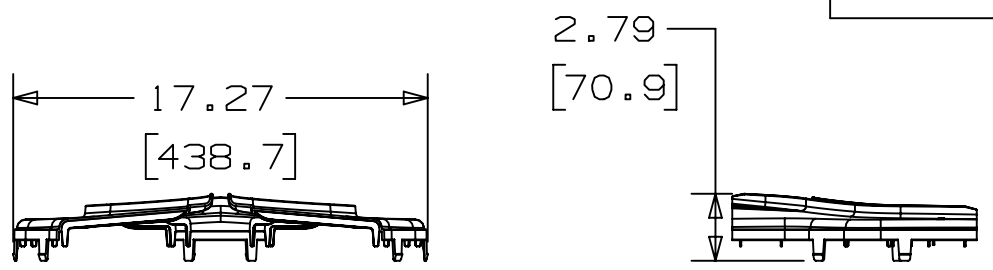
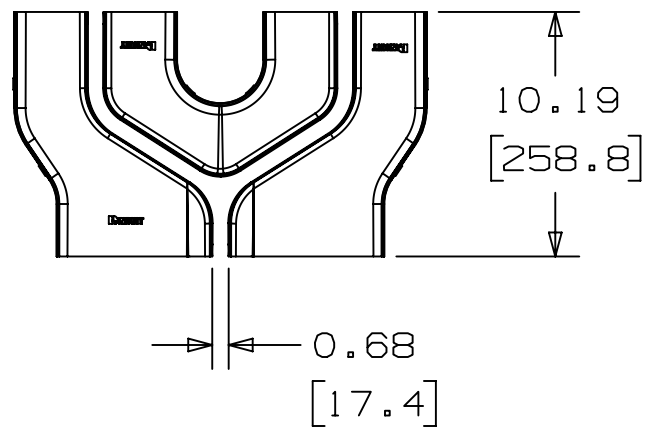


THIS COPY IS PROVIDED ON A RESTRICTED BASIS AND IS NOT TO BE USED IN ANY WAY DETRIMENTAL TO THE INTERESTS OF PANDUIT CORP.

NOTES:

1. SEE CURRENT CATALOG FOR ADDITIONAL PART SUFFIXES TO INDICATE COLOR AND/OR PACKAGE QUANTITY.
2. DIMENSIONS IN PARENTHESSES ARE IN METRIC.
3. THE FIBERRUNNER 12x4 "Y" TRANSITION WITH 6" EXITS SPLIT COVER REQUIRES NO TOOLS FOR INSTALLATION AND/OR REMOVAL. THE SPLIT COVER CREATES A 11/16" (17.5) RADIUS OPENING TO ALLOW FOR NEW CABLES TO BE ADDED WITHOUT THE NEED FOR REMOVING THE COVERS.



PANDUIT PART NUMBER	WEIGHT	MATERIAL
FRY126SC**	0.86 LB/EACH (389g/EACH)	ABS
FRY126SCL**	0.86 LB/EACH (389g/EACH)	PC/ABS

A

A

						TITLE FIBERRUNNER 12x4 "Y" TRANSITION WITH 6" EXITS SPLIT COVER (FRY126SC** & FRY126SCL**) CUSTOMER DRAWING	
						ITEM REVISION NAME D37617EH/01	
						DATASET FILE NAME D37617EH_DC_FRY126SC/01B	
01B	08/25/20	PJST	DWR	DWR	ADDED PART NUMBER	V09002DZ/11	
1	07/25/06	DTP	RN		E. REVISED PART WEIGHT D. REVISED GENERAL NOTES C. REVISED CAD FILENAME B. REVISED DRAWING TITLE A. REVISED AND REDRAWN	37617-101	
						MATERIAL: SEE PART NUMBER TABLE ABOVE	
						DRAWING NUMBER: 37617-101	
REV	DATE	BY	CHK	APR	DESCRIPTION	ECN	 THIRD ANGLE PROJECTION
							DRAWN BY: JHNU DATE: 02/13/01 CHK: HIW SCALE: NONE SHT 1 OF 1 SIZE: A

D10100DA/14