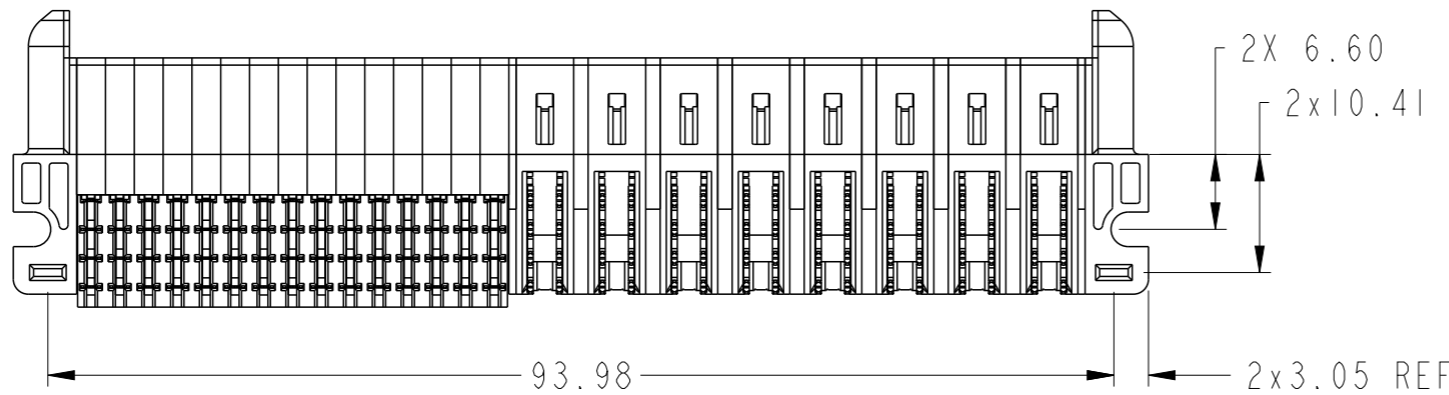
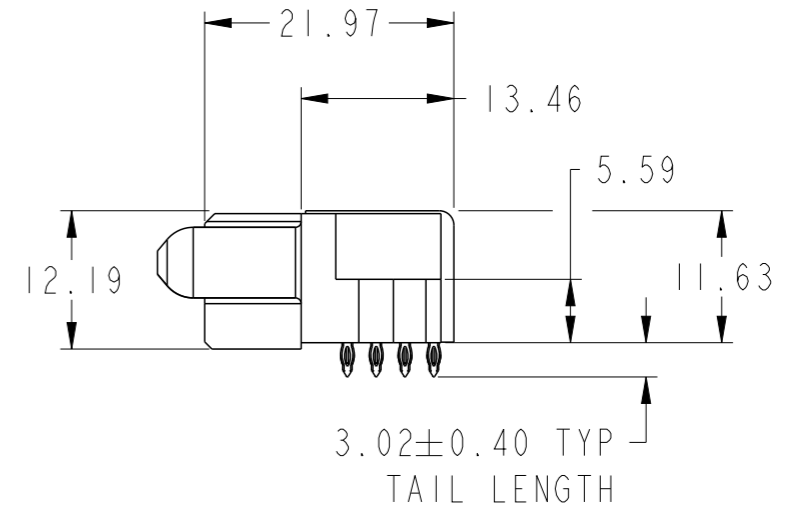
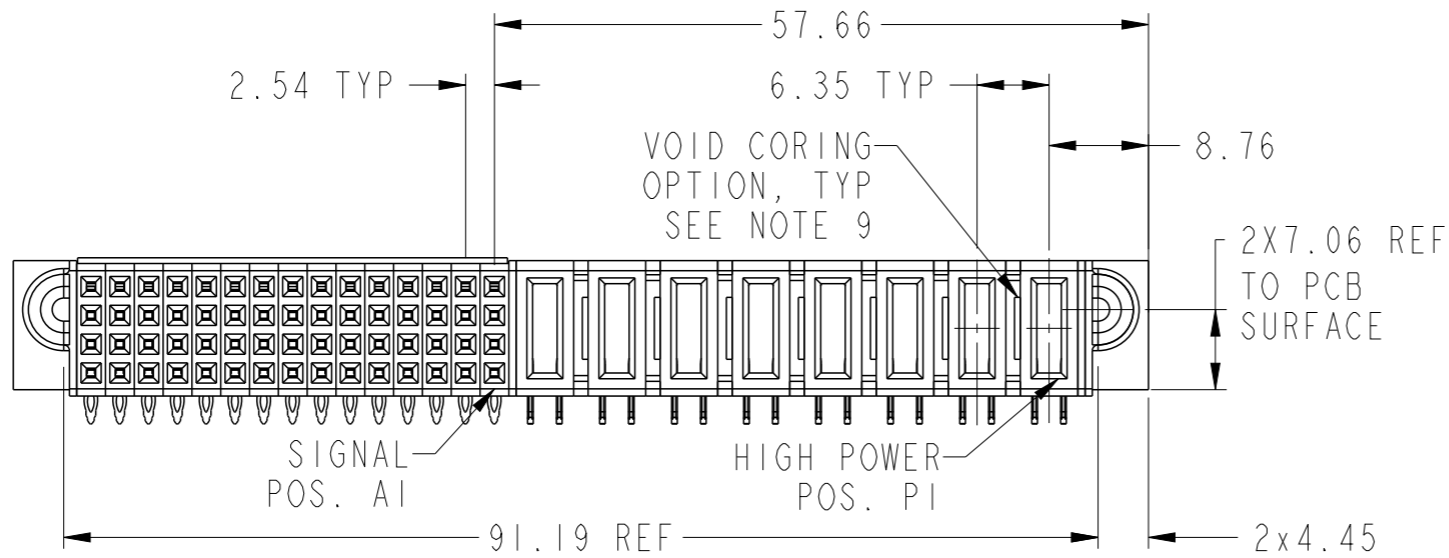
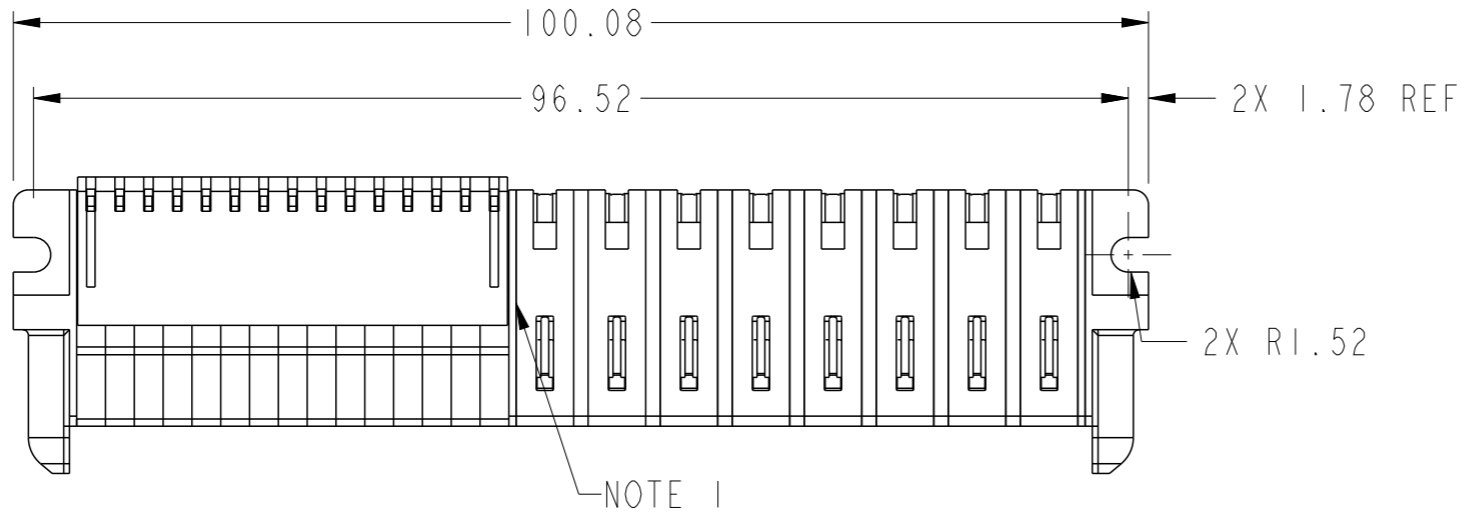


PRODUCT NUMBER SEE SHEET 2



spec ref		dr	Eddy Zeng	2014/01/25	projection 	MM ←→	size	A3	scale	3:2
tolerance std		eng	Vicking Liu	2016/10/31			ecn no	ELX-DG-25195-1		
ISO 406 ISO 1101		chr	Fancy Zhang	2016/11/02			rel level	Released		
TOLERANCES UNLESS OTHERWISE SPECIFIED		appr	Pei-Ming Zheng	2016/11/02	product family	PwrBlade+	rev		B	
surface	linear	0.X	±0.5	Amphenol FCi	8HP + 60S		dwg no	10106127-8015001		
		0.XX	±0.25		RA RECEPTACLE PF					
ISO 1302	angular	0°	±2°		cat. no.	Product - Customer Drw		sheet 1 of 3		



A

B

C

D

A

B

C

D

NOTES:

- 1) PRODUCT MARK:  
PART NUMBER AND DATE CODE TO BE MARKED ON THIS SURFACE .  
THE MARK CAN BE OMITTED IF THERE IS NOT ENOUGH SPACE ON THIS SURFACE.
- 2) MATERIALS:  
-HOUSING : HIGH TEMP THERMOPLASTIC WITH GLASS FIBER, UL94V-0, BLACK.  
-POWER CONTACT : HIGH CONDUCTIVITY COPPER ALLOY.  
-SIGNAL CONTACT : COPPER ALLOY.
- 3) PLATING SPECIFICATION : 10116351
- 4) DENOTES CONNECTOR KEEP OUT ZONE.
- 5) DATUM AND BASIC DIMENIONS ARE ESTABLISHED BY CUSTOMER.
- 6) ALL HOLE DIAMETERS ARE FINISHED HOLE SIZES.
- 7) 1.15+/-0.025MM DRILLED HOLE PLATED WITH 0.00762MM MIN SN  
OVER 0.0254-0.0762MM CU PLATING TO ACHIEVE A 1.02+/-0.07MM HOLE.
- 8) THIS PRODUCT MEETS EUROPEAN UNION DIRECTIVES AND OTHER COUNTRY  
REGULATIONS AS DESCRIBED IN GS-47-0004.
- 9) THE VOID CORING IN BETWEEN POWER MODULES, SIGNAL MODULES AND  
END MODULES ARE OPTIONAL AND THE SHAPE MAY BE DIFFERENT FOR  
OPTIMIZE THE MOLDING PROCESS. THE VOID CORING WILL NOT EFFECT  
TO PRODUCT FUNCTION.
- 10) PRODUCT SPECIFICATION : GS-12-658.  
APPLICATION SPECIFICATION : GS-20-141.  
PRODUCT PACKAGE SPECIFICATION: GS-14-1502.

Amphenol  
FCi

© 2016 AFCI

spec ref		dr	Eddy Zeng	2014/01/25	projection 	MM ←————→	size	A3	scale	3:2
tolerance std		eng	Vicking Liu	2016/10/31			ecn no	ELX-DG-25195-1		
ISO 406 ISO 1101		TOLERANCES UNLESS OTHERWISE SPECIFIED					product family	PwrBlade+	rel level	Released
surface	linear	0.X	±0.5	Amphenol FCi	8HP + 60S	dwg no	10106127-8015001	rev	B	
		0.XX	±0.25							
		0.XXX	±0.10							
ISO 1302	angular	0°	±2°	cat. no.	Product - Customer Drw	sheet 3 of 3				