

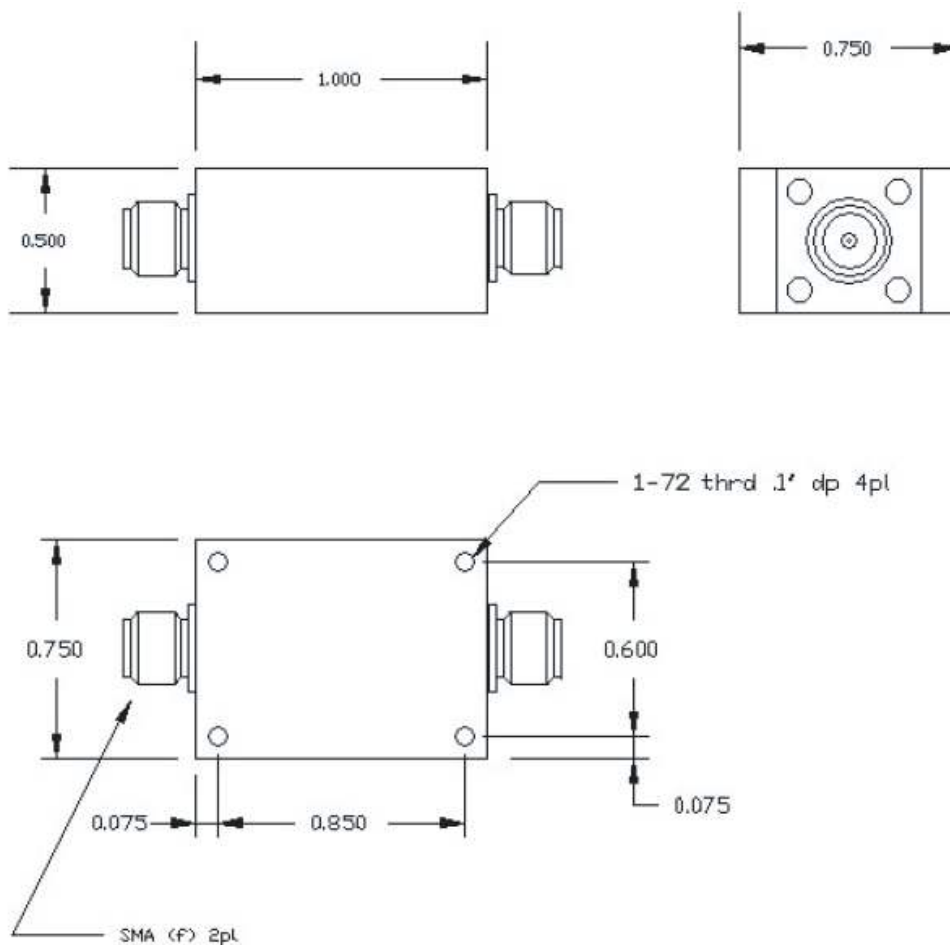


8.5-18 GHz Highpass Filter

Part Number: AE8500H9820

Passband: 8.5-18 GHz
Insertion Loss: <1dB
Return Loss: >10dB over Passband
Rejection: >35dB @ 0-2800MHz
Connectors: SMA (F)

Outline Drawing:





ANATECH ELECTRONICS, INC.

Manufacturer of RF & Microwave Filters and Products



8.5-18 GHz Highpass Filter

Part Number: AE8500H9820

Response Plot:

