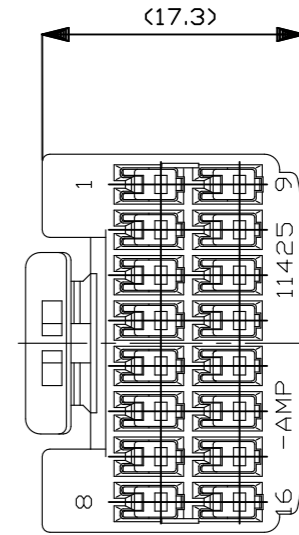
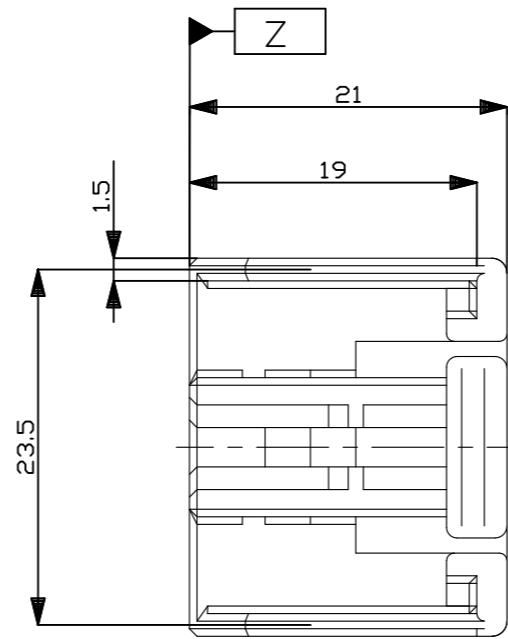
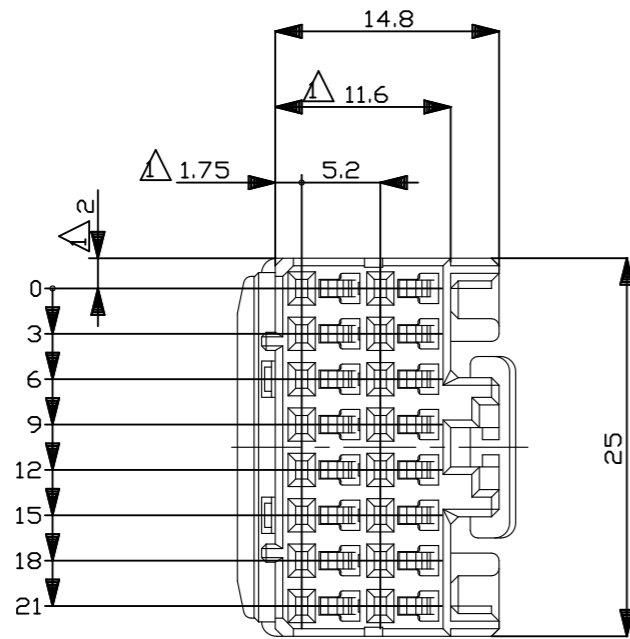


| P | LTR | DESCRIPTION | DATE | DWN | APVD |
|---|-----|---------------------------|-----------|-----|------|
| | A1 | REVISED PER ECR-23-165252 | 02FEB2023 | RK | MT |

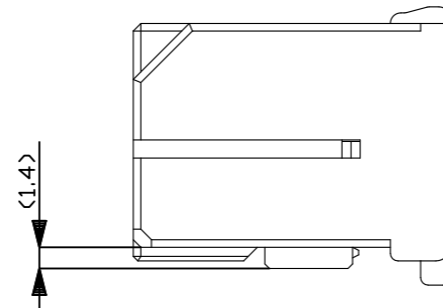


NOTES;

- 1. MUST BE KEPT BETWEEN [Z] AND 2mm.
- 2. THE MATING CAP HOUSING PART NUMBER;176242
- 3. APPLIED CONTACT PART NUMBER .040;175265,175266
- 4. APPLICABLE PRODUCT SPEC;108-5342
- 5. RETAINER COLOR;ALL WHITE

注;

- 1. [Z] 面より2mmの範囲で測定
- 2. 嵌合相手ハウジング型番: 176242
- 3. 内装するリセプタクル型番 .040端子: 175265,175266
- 4. 適用製品規格番号: 108-5342
- 5. リテーナは全て白色



| | | |
|----------|--------------|----------|
| OBSOLETE | 灰<DARK GRAY> | 917983-6 |
| OBSOLETE | 青<BLUE> | 917983-5 |
| OBSOLETE | 黒<BLACK> | 917983-2 |
| | 白<WHITE> | 917983-1 |
| | 色<COLOR> | 型番<P/N> |

| | | | | | | | | |
|---|--|-------------------------------|--|-----------------|--------------------|------------------------|--------------------|--|
| THIS DRAWING IS A CONTROLLED DOCUMENT. | | DWN T.SHINOHARA 5/22'95 | TE Connectivity .040/.070 HYBRID I/O CONN. MK-II 16Pos. PLUG HOUSING (OUT RIB) | | | | | |
| DIMENSIONS: mm | | CHK D.MATSUURA 5/19'95 | | | | NAME | | |
| TOLERANCES UNLESS OTHERWISE SPECIFIED: | | APVD A.TOMITA 5/22'95 | | | | PRODUCT SPEC | | |
| 0 PLC ± - 1 PLC ± - 2 PLC ± - 3 PLC ± - 4 PLC ± - ANGLES ± - | | APPLICATION SPEC | | | | | | |
| MATERIAL PBT | | FINISH SEE TABLE | WEIGHT - | SIZE A3 | CAGE CODE 00779 | DRAWING NO C-917983 | RESTRICTED TO - | |
| CUSTOMER DRAWING | | | SCALE 2:1 | SHEET 1 OF 1 | REV A1 | | | |

| 一般公差 (GENERAL TOLERANCE) | |
|--------------------------|-------|
| 10以下 | ±0.2 |
| 10~30 | ±0.25 |
| 30~100 | ±0.3 |
| 角度 | ±3° |