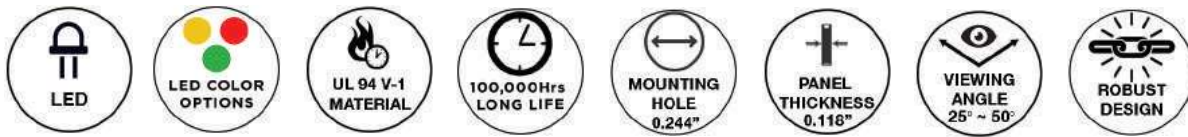




# L63 Series 3mm LED Robust Panel Mount Indicator Mounting Hole 0.244" (6.2mm)



L63 is available in a robust body and protruding LED position, supplied with lock washer and hex nut, in three different diffused LEDs colors



## Applications

- Industrial
- Transportation
- Food Service
- People Movers
- Medical
- Maritime
- Oil and Gas Industry
- Manufacturing
- Automation & Control

## Key Features

- Mounting Hole Size: 0.244" (6.2mm)
- Max. Panel Thickness: 0.118" (3.0mm)
- Max. Mounting Torque: 5.9 lbs-in (6.8kg-cm)
- Three colors available: Red, Green, Yellow
- Low power consumption
- Body Material: Brass, chromium plated
- Base Material: Phenolic (UL94 V-1)
- Diffused T-1 (3mm) LED
- Viewing angle: from 25° to 50°
- Straight leads terminals
- Operating Voltage of 2 ~ 3.2 VDC
- Front panel mounting
- Life expectancy of 100,000 hours
- High brightness LEDs for daylight viewing
- Mounting hardware provided. Fixing nut and washer included
- Protruding LED position
- Low power consumption
- Compliant with RoHS and REACH requirements
- Order gasket separately to provide water, oil, air and dust tight.
- For customized options, please contact us

## Ordering Data

The L63 Series is available in a range of standard features and options. To specify your Panel Mount Indicator, simply choose one option from each column.

Series	LED Size	LED Type Lens	Color	Termination Style
L	63	D		L

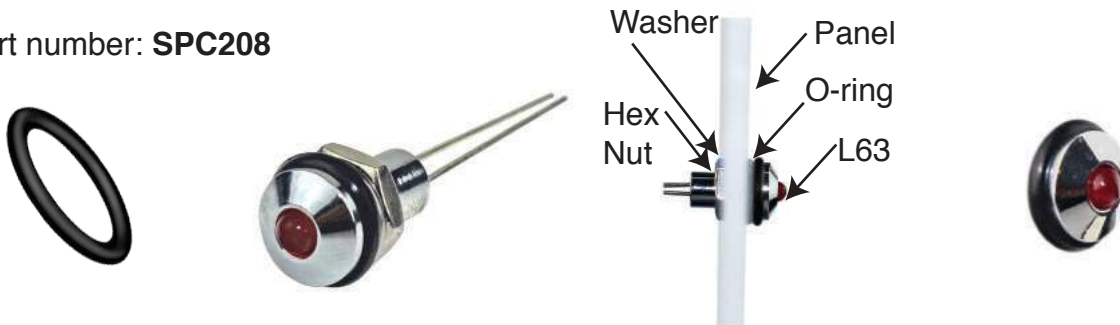
3mm LED	Diffused		Straight Leads
---------	----------	--	----------------

Diffused Green	L63DG2L	Green	G2	30 mcd
Diffused Red	L63DR2L	Red	R2	60 mcd
Diffused Yellow	L63DY2L	Yellow	Y2	30 mcd

## Accessories Ordering Data [order separately]

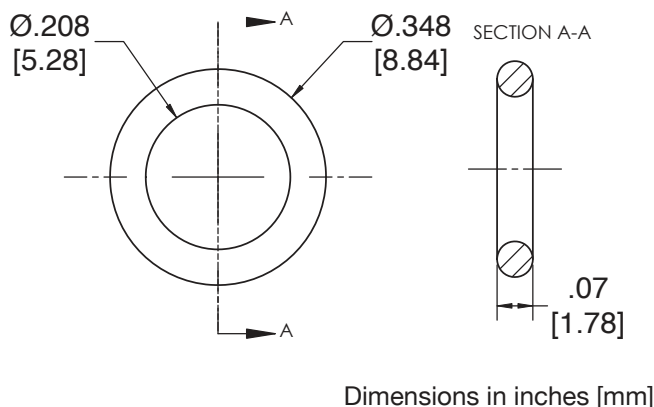
O-ring part number: **SPC208**



The Gasket O-ring SPC208 for the L63 Series is designed to seal many types of media, including water, air, dust, and oil.

The panel gasket is intended to provide a seal between the panel and the L63 Panel Mount Indicator.

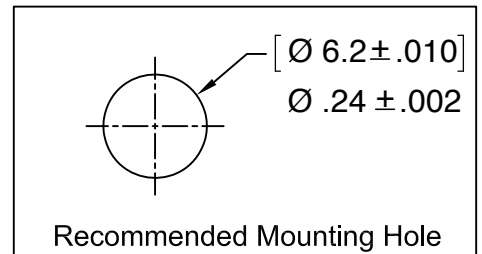
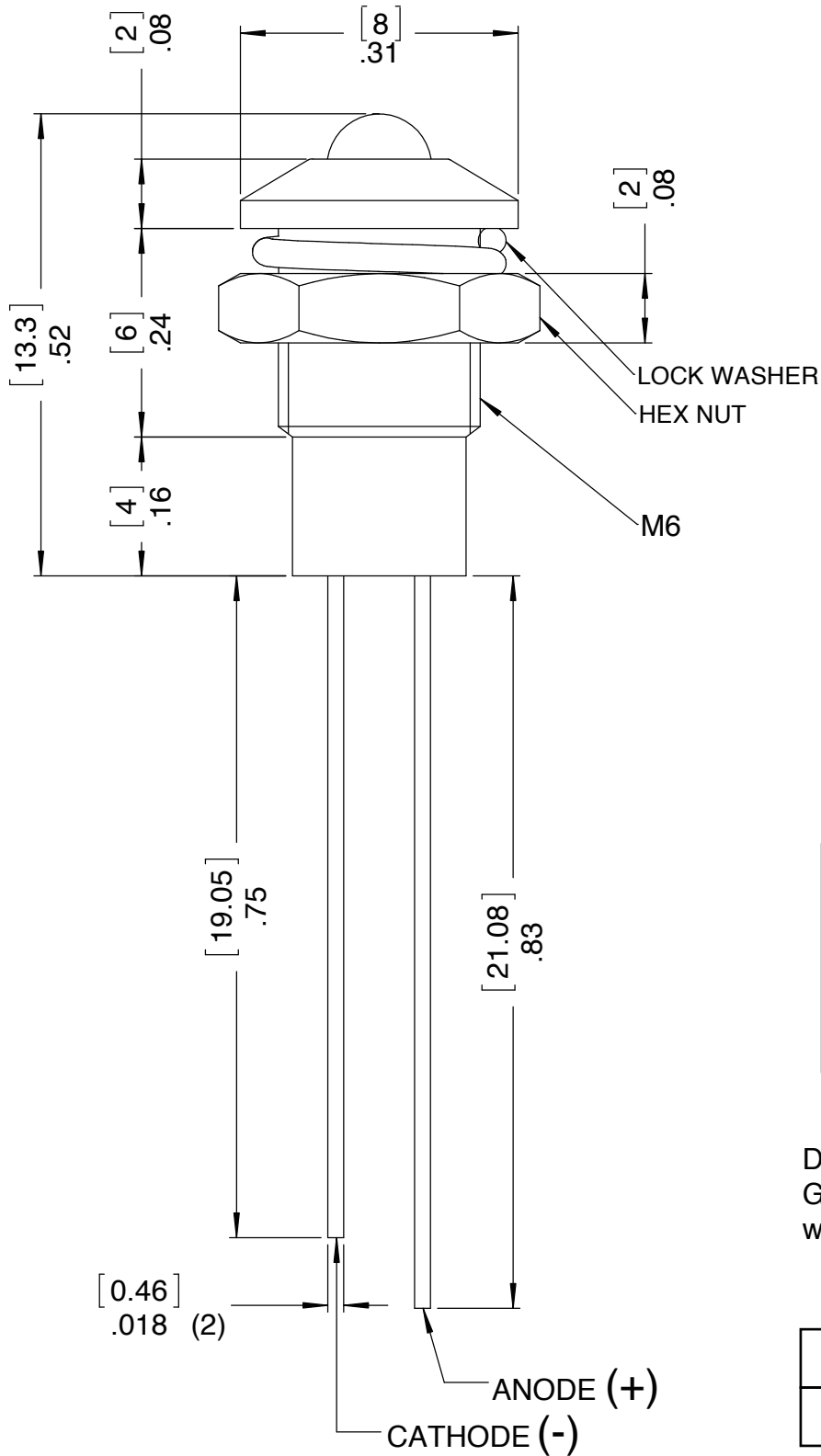
Meets ASTM D2000 standard.



Material
Buna-N, Durometer A70, black

Installation Specification	
Internal Diameter	0.208" (5.28 mm)
Thickness	0.07" (1.78 mm)
Operational Temperature	-20°F to +250°F -28.9°C to +121.1°C

# Product Dimensions



Dimensions in [mm] inches  
General tolerances unless otherwise specified:

	inches	mm
.X	±.020	±.508
.XX	±.010	±.254

## Product Specifications

Materials	
Body	Brass, Chromium Plated
Base	Phenolic UL 94 V-1

Temperature Specifications	
Operating Temperature	-25°C to +80°C -13°F to +176°F
Storage Temperature	-25°C to +85°C -13°F to +185°F

Installation Specifications	
Mounting Hole	0.244" (6.2 mm)
Mounting Torque	5.9 lbf-in (6.8 kgf-cm)
Panel Thickness	0.019" to 0.118" (0.5 to 3.0 mm)
Straight Leads Terminals	Anode(+): 21.08" (0.83 mm) Cathode(-): 19.05" (0.75 mm)

LED Color	V <sub>F</sub> (V)			I <sub>F</sub> (mA)	Viewing angle
	min.	typ.	max.		
Green Diffused	2.8	3.2	3.6	20	25
Red Diffused	1.8	2.1	2.5	20	25
Yellow Diffused	1.8	2.0	2.45	20	50

LED Color	Wavelength (nm)	Luminosity (mcd)
Green	568-573	30
Red	630-635	60
Yellow	590-595	30

## Compliances and Approvals

