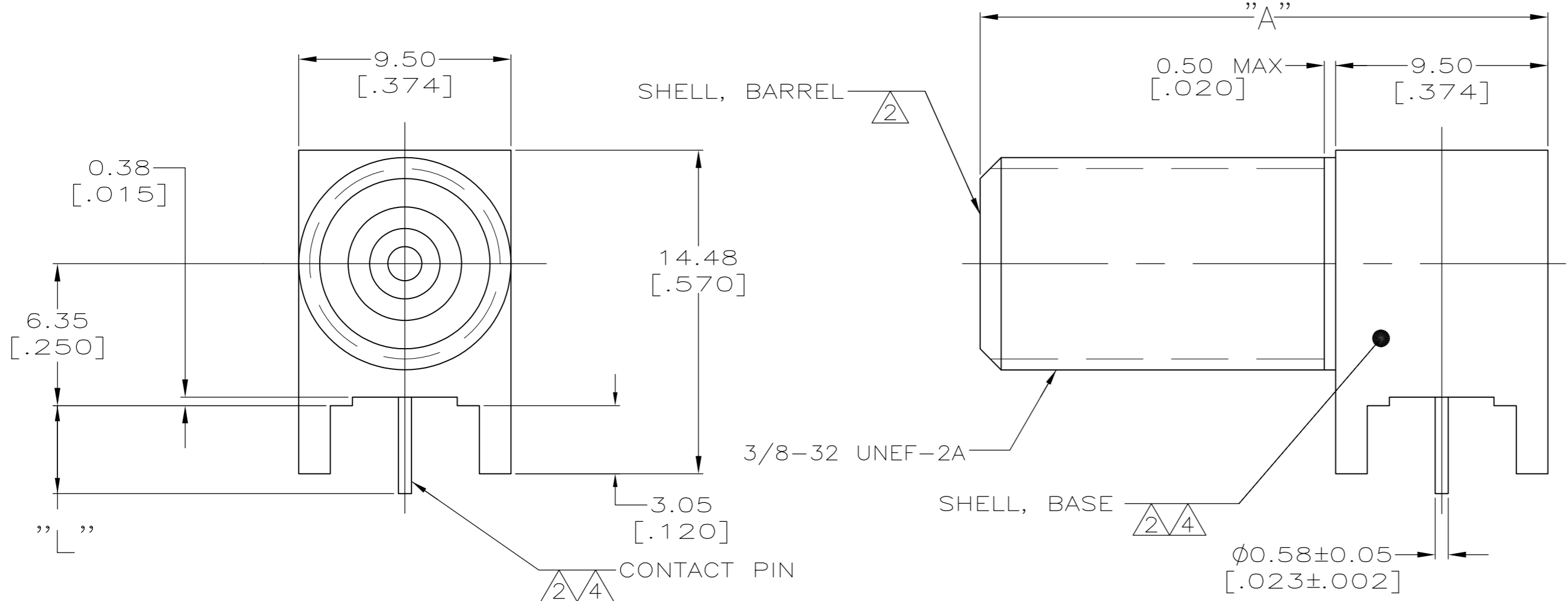
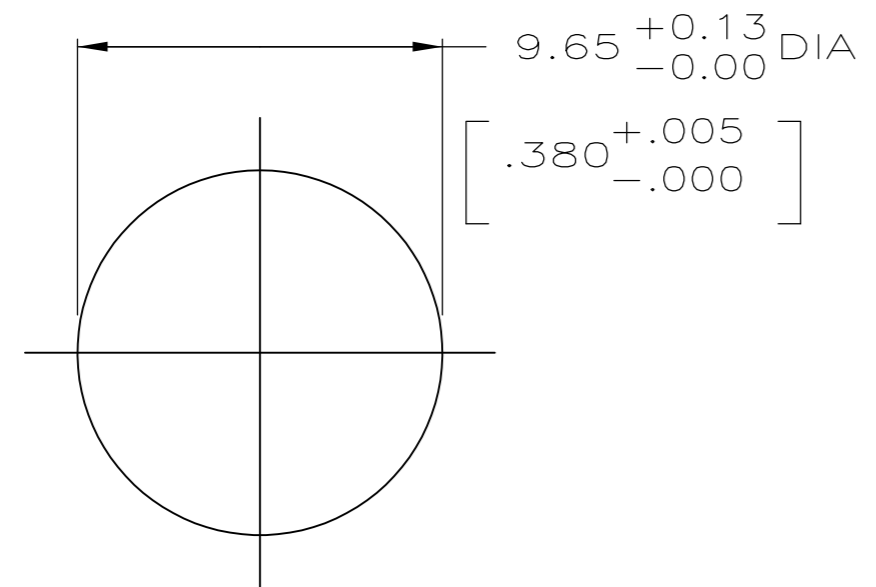


THIS DRAWING IS UNPUBLISHED. RELEASED FOR PUBLICATION
 © COPYRIGHT - By - ALL RIGHTS RESERVED.

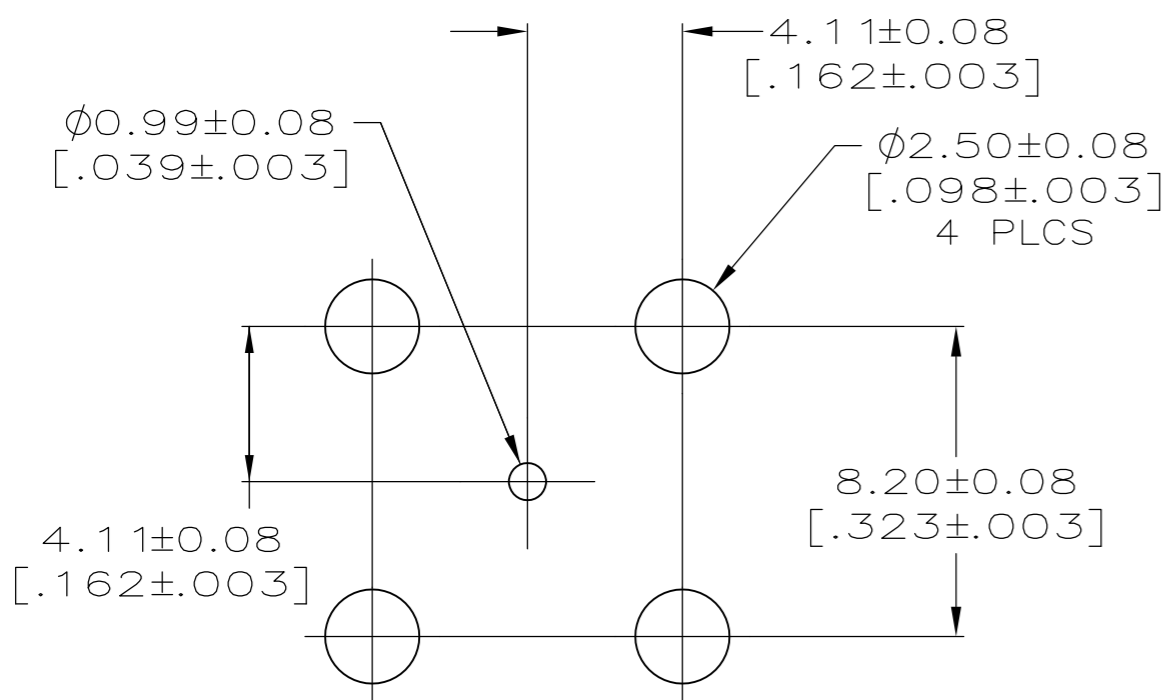
| LOC | DIST | REVISIONS | | | | | |
|-----|------|-----------|-----|---------------------------|-----------|-------|--------|
| | | P | LTR | DESCRIPTION | DATE | DWN | APVD |
| AJ | 00 | | A | REVISED PER ECO 06-016786 | 1/22/2007 | DW | KW |
| | | | B | REVISED PER ECO-11-025304 | 19DEC2011 | TITAN | MARTIN |
| | | | C | REVISED PER ECO-12-006151 | 29MAR2012 | TITAN | MARTIN |



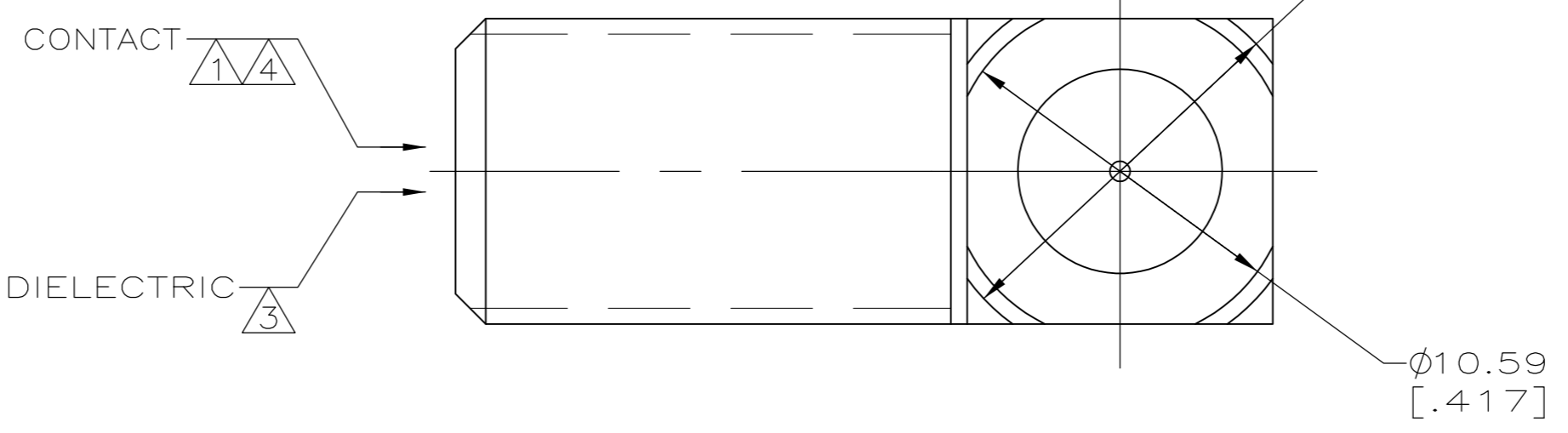
- 1 PHOSPHOR BRONZE.
- 2 BRASS.
- 3 PTFE.
- 4 TIN PLATE 2.54 μm [.000100] MINIMUM THICK.
- 5 NICKEL PLATE 2.54 μm [.000100] MINIMUM THICK.
- 6. CONNECTOR WILL ACCEPT CENTER CONDUCTOR DIAMETER RANGE OF 0.51 [.020] - 1.19 [.047].
- 7 BRIGHT GOLD PLATE, 0.13 μm THICK (.000005) MIN THK.



SUGGESTED PANEL CUTOUT



PCB CONFIGURATION



| | | | | |
|----------|---|----------------------------|---------------|-----------|
| OBSOLETE | 1 | 3.48 [.137] MAX | 25.40 [1.000] | 5415302-4 |
| OBSOLETE | 2 | 3.48 [.137] MAX | 25.40 [1.000] | 5415302-3 |
| OBSOLETE | 3 | 3.94 ± 0.51 [.155 ± 0.020] | 31.75 [1.250] | 5415302-2 |
| OBSOLETE | 4 | 3.94 ± 0.51 [.155 ± 0.020] | 25.40 [1.000] | 5415302-1 |

| FINISH (SHELL, BARREL) | | L | A | PART NUMBER |
|--|--|---------------------------------------|---------------------------|-------------|
| THIS DRAWING IS A CONTROLLED DOCUMENT. | | DWN G. ATTADIA - DOCK5 01FEB2005 | TE Connectivity | |
| DIMENSIONS: mm [INCHES] | | CHK J. HAVENER 01FEB2005 | APVD K. WEIDNER 01FEB2005 | |
| TOLERANCES UNLESS OTHERWISE SPECIFIED: | | NAME JACK, PCB, RIGHT ANGLE, F SERIES | | |
| 0 PLC ± - | | PRODUCT SPEC 108-1755 | | |
| 1 PLC ± - | | APPLICATION SPEC - | | |
| 2 PLC ± - | | SIZE A2 | | |
| 3 PLC ± 0.20 [.008] | | CAGE CODE 00779 | | |
| 4 PLC ± - | | DRAWING NO C=5415302 | | |
| ANGLES ± 1° | | RESTRICTED TO - | | |
| MATERIAL 1 2 3 | | WEIGHT - | | |
| FINISH 4 5 7 | | SCALE 5:1 | | |
| CUSTOMER DRAWING | | SHEET 1 OF 1 | | |
| | | REV C | | |