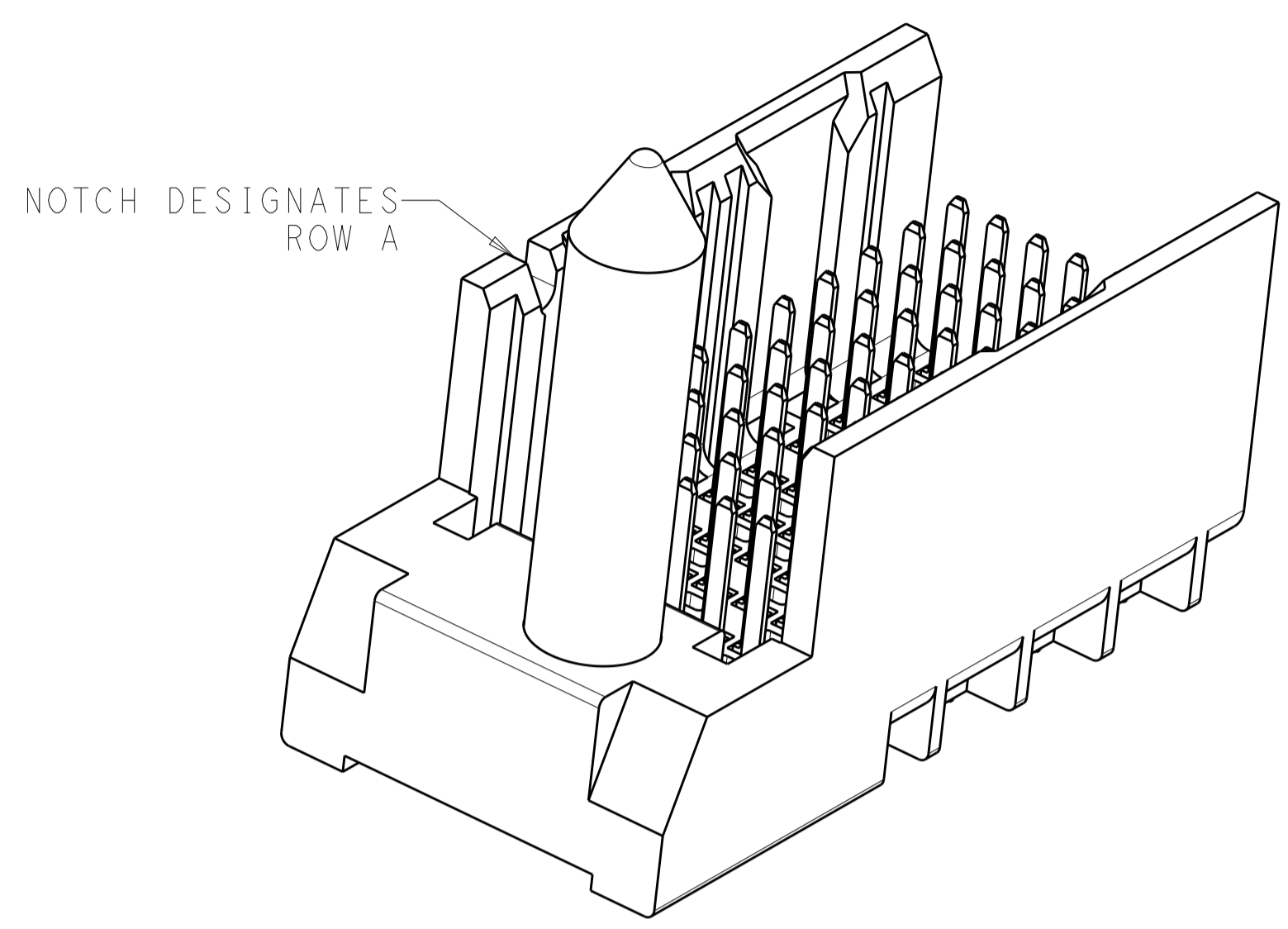
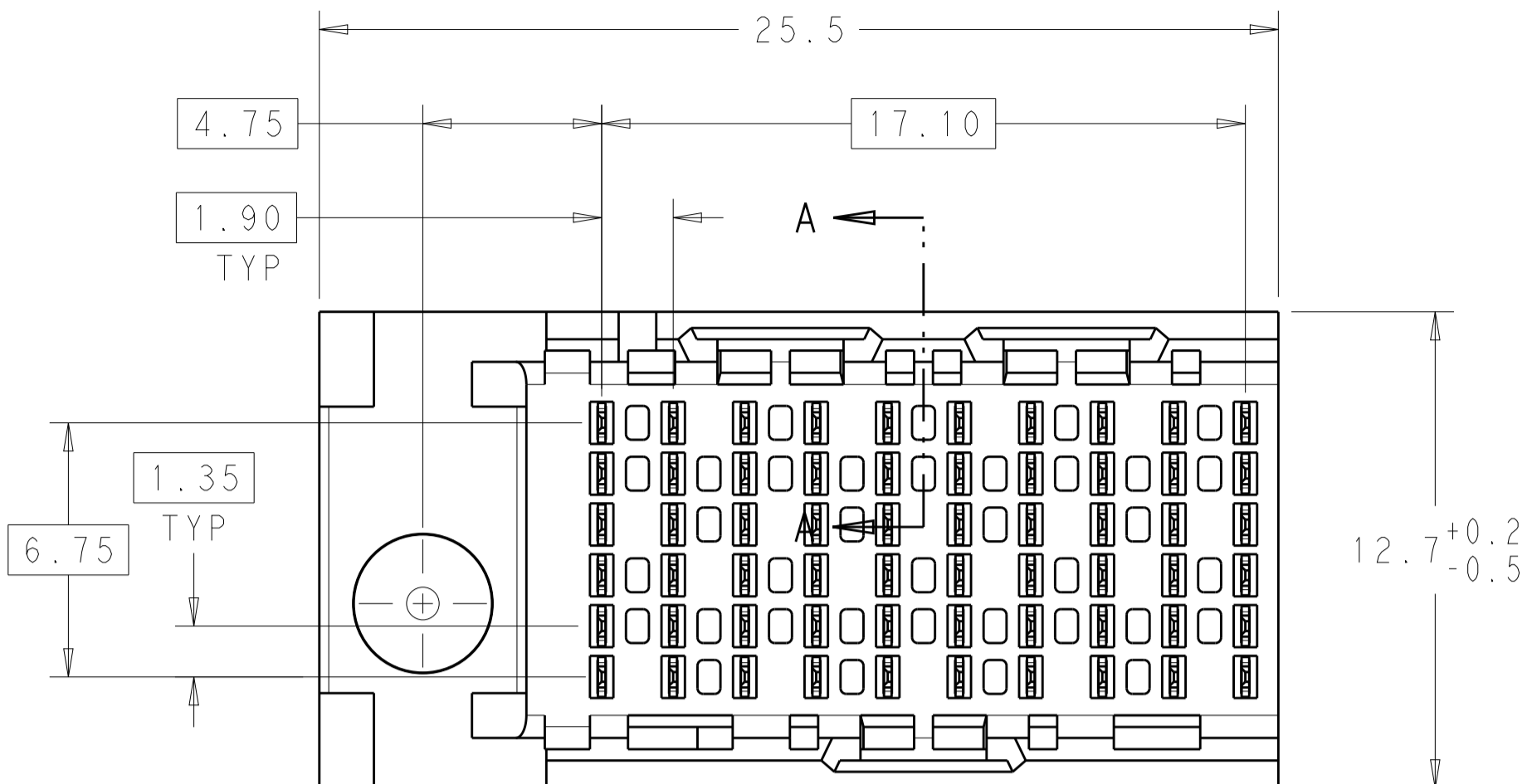
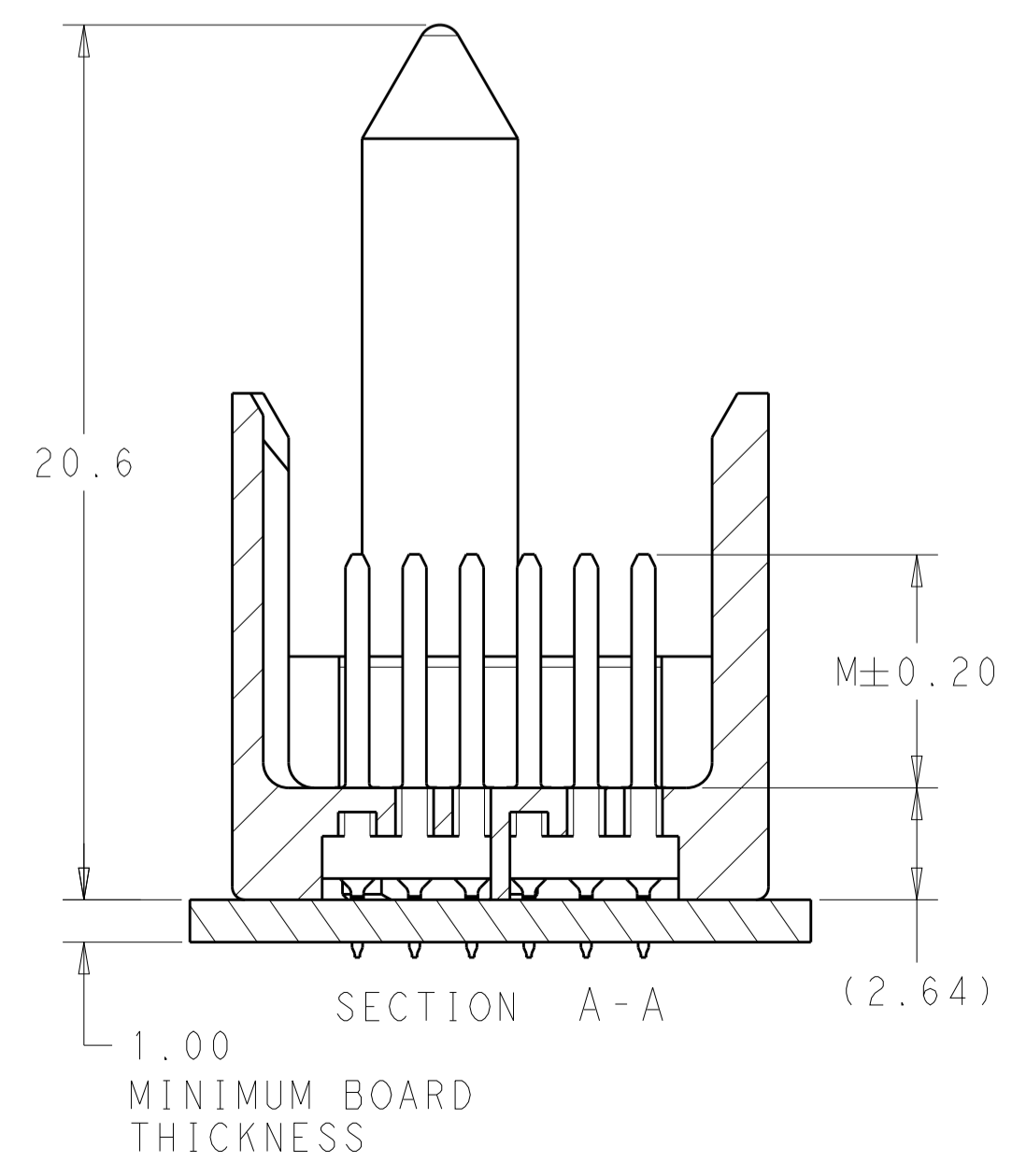
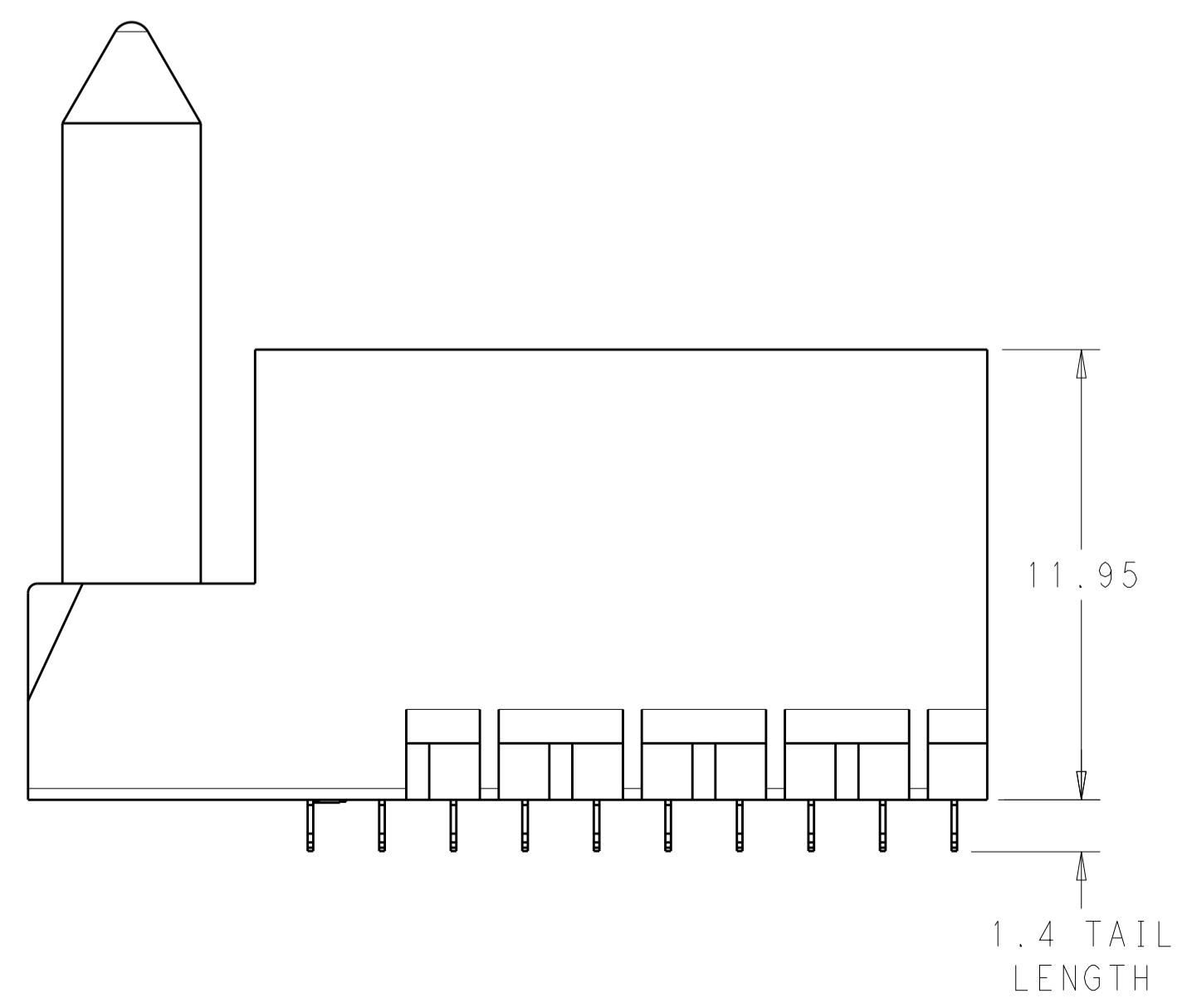
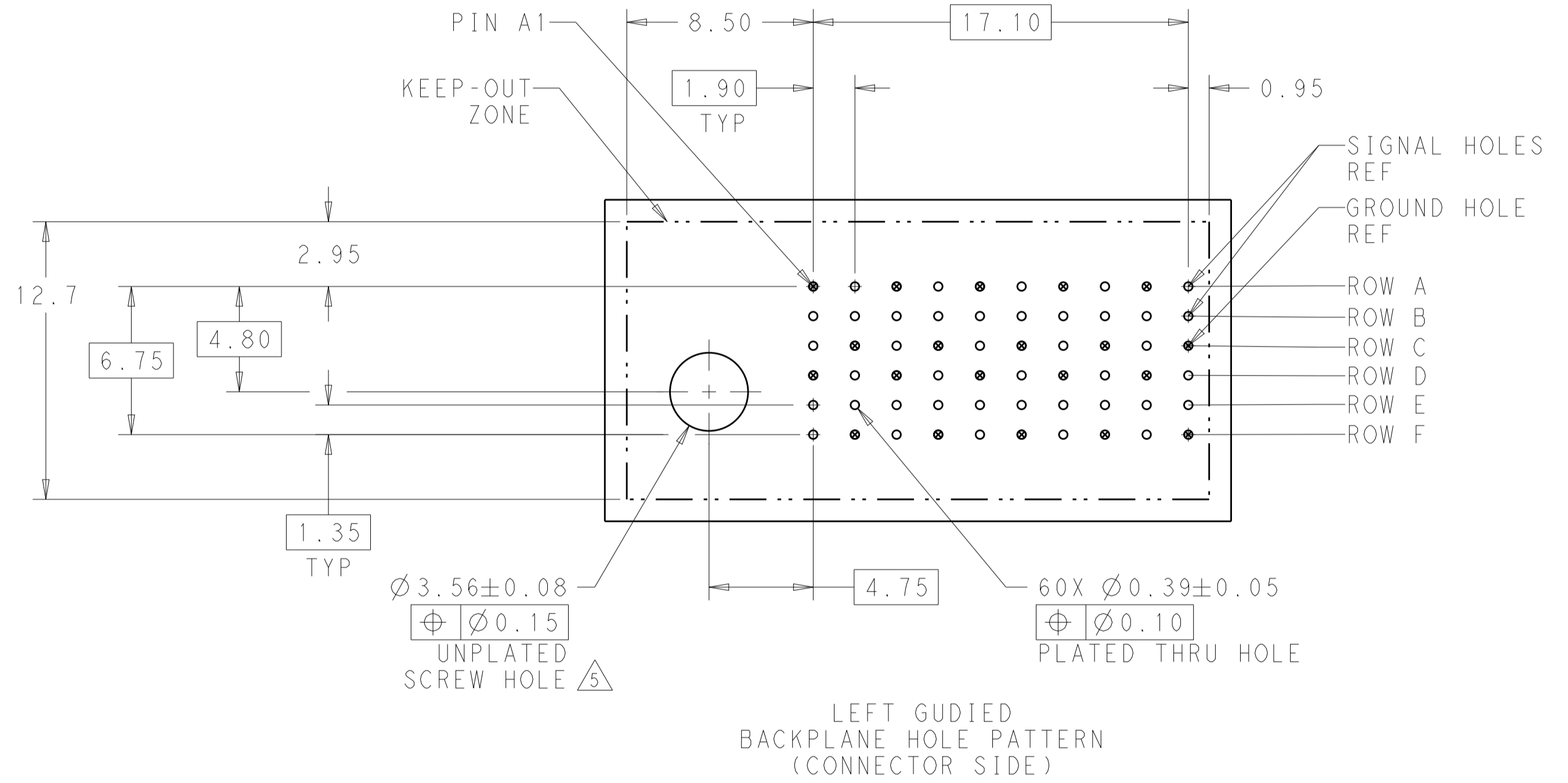


LOC		DIST		REVISIONS			
P	LTN	DESCRIPTION	DATE	DWN	APVD		
2		ADDED -2 TO BOM	26SEP2011	RG	JE		
A		RELEASED	24FEB2012	BC	DY		
A1		REV PER ECO-13-004688	14MAR2013	BC	DD		



- ⚠ MATERIAL:
HOUSING: LCP, GLASS FILLED, UL94V-0.
TERMINALS: HIGH PERFORMANCE COPPER ALLOY.
- ⚠ FINISH:
30μ" MIN GOLD IN CONTACT AREA. SELECTIVE TIN ON PCB TAILS, NICKEL OVERALL.
- ⚠ FINISH:
30μ" MIN GOLD IN CONTACT AREA. SELECTIVE TIN-LEAD ON PCB TAILS, NICKEL OVERALL.
- 4. SCREWS PACKAGED IN END OF PACKAGING TUBE.
- ⚠ FOR GROUNDED GUIDE PIN USE Ø3.56±0.08 PTH, Ø3.66 DRILL, AND Ø6.5 PAD.



THIS DRAWING IS A CONTROLLED DOCUMENT.		DWN J. K. SHOBER 26SEPT2011	TE Connectivity
DIMENSIONS: mm		CHK J. EARY 26SEPT2011	
TOLERANCES UNLESS OTHERWISE SPECIFIED:		APVD J. EARY 26SEPT2011	
0 PLC ± 1 PLC ±0.25 2 PLC ±0.13 3 PLC ± 4 PLC ± ANGLES ±		NAME IMPACT, 2 PAIR, 10 COLUMN, HEADER LEFT GUIDED, OPEN END WALL SELECT LOAD, SIGNAL MODULE, 0.39 PTH SIZE CAGE CODE DRAWING NO RESTRICTED TO A100779C=2180311	
MATERIAL SEE TABLE		WEIGHT	CUSTOMER DRAWING
SCALE 6:1		SHEET 1 OF 2	REV A1

THIS DRAWING IS UNPUBLISHED. RELEASED FOR PUBLICATION 20
 © COPYRIGHT 20 BY - ALL RIGHTS RESERVED.

LOC		DIST		REVISIONS			
AD	00	P	LTN	DESCRIPTION	DATE	DWN	APVD
		-		SEE SHEET 1		-	-

2180311-1											
PART NUMBER		FINISH									
CONTACT LAYOUT											
A = 4.5mm (DIM M)											
B = 4.9mm (DIM M)											
C = 5.5mm (DIM M)											
COLUMNS											
		1	2	3	4	5	6	7	8	9	10
GUIDE PIN 	A	C	C	C	C	C	C	C	C	C	C
	B	C	C	C	C	C	C	C	C	C	C
	C	C	C	C	C	C	C	C	C	C	C
	D	C	C	C	C	C	C	C	C	C	C
	E	C	C	C	C	C	C	C	C	C	C
	F	A	C	C	C	C	C	C	C	C	C
2180311-2											
PART NUMBER		FINISH									
COLUMNS											
		1	2	3	4	5	6	7	8	9	10
GUIDE PIN 	A	C	C	C	C	C	C	C	C	C	C
	B	C	C	C	C	C	C	C	C	C	C
	C	C	C	C	C	C	C	C	C	C	C
	D	C	C	C	C	C	C	C	C	C	C
	E	C	C	C	C	C	A	C	C	C	C
	F	C	C	C	C	C	C	C	C	C	C

REFER TO WWW.TE.COM
FOR PRODUCT AVAILABILITY

THIS DRAWING IS A CONTROLLED DOCUMENT.		DWN	J. K. SHOBER	26SEPT2011	
DIMENSIONS:		CHK	J. EARY	26SEPT2011	
mm		TOLERANCES UNLESS OTHERWISE SPECIFIED:		APVD	J. EARY
		0 PLC	±	PRODUCT SPEC	NAME
		1 PLC	±0.25	APPLICATION SPEC	IMPACT, 2 PAIR, 10 COLUMN, HEADER
		2 PLC	±0.13	WEIGHT	LEFT GUIDED, OPEN END WALL
		3 PLC	±	CUSTOMER DRAWING	SELECT LOAD, SIGNAL MODULE, 0.39 PTH
		4 PLC	±	SCALE	5:1
		ANGLES	±	SHEET	2 OF 2
MATERIAL		FINISH	SEE TABLE	SIZE	A100779C=2180311
				REV	A1