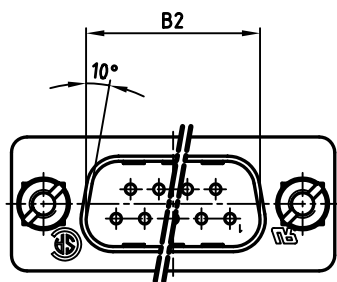
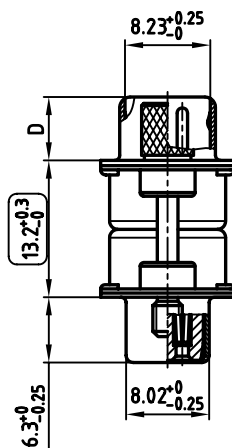
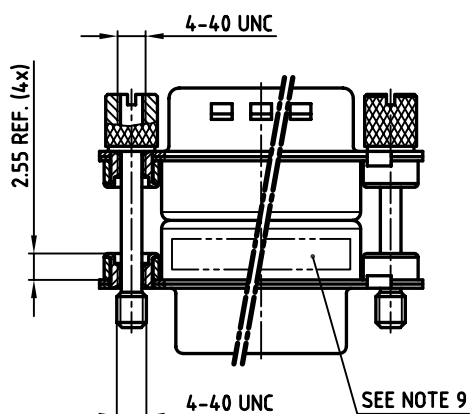
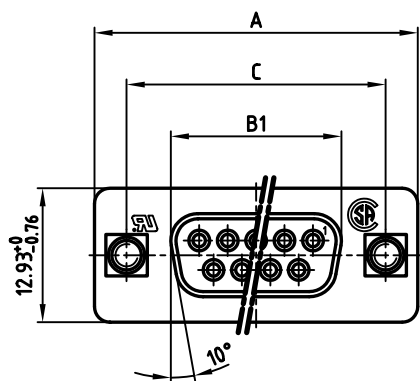


used for: FILTER ADAPTER

POS.	A ^{-0.76}	B1 ^{-0.25}	B2 ^{+0.25}	C	D ^{-0.3}	Part NO.
9	31.19	16.46	16.79	25.00 ^{+0.12/-0.13}	6.12	243A12920X
15	39.52	24.79	25.12	33.30 ^{+0.15/-0.1}	6.12	243A12930X
25	53.42	38.50	38.84	47.04 ^{+0.13}	5.99	243A12940X
37	69.70	54.96	55.30	63.50 ^{+0.13}	5.99	243A12950X



NOTES:

- METALSHELLS: STEEL; min. 320µ" TIN
- INSULATORS: PBT GF UL 94 V-0, BLACK
- CONTACTS: COPPER ALLOY
PLATING: 8µ" HARD GOLD OVER min. 50µ" NICKEL
- THREADED INSERT: COPPER ALLOY; min. 200µ" TIN over 80µ" NICKEL
- COLLAR: COPPER ALLOY; min. 200µ" TIN over 80µ" NICKEL
- CAPACITANCE: 1300pF ±20%
- DIELECTRIC WITHSTANDING VOLTAGE: 424 VDC
- MAXIMUM TORQUE VALUE FOR THREAD: 6" LBS
- CONNECTOR IS PART MARKED: [PART-NO. CONEC ABC]
- = CHECK DIMENSION

Directive 2002/95/EC
RoHS-Compliant

APPROVAL # FREIGABE # DEBLOCAGE # AUTORIZACION # APPROVAL

CUSTOMER APPROVAL DATE:

NAME: TITLE:

COMPANY NAME:

APPROVAL # FREIGABE # DEBLOCAGE # AUTORIZACION # APPROVAL

THIS DRAWING MAY NOT BE COPIED OR REPRODUCED IN ANY WAY, AND MAY NOT BE PASSED ON TO A THIRD PARTY, WITHOUT WRITTEN PERMISSION. OWNERSHIP AND COPYRIGHT OF CONEC GmbH DO NOT ALTER CAD DRAWING BY HAND

rev.	description	date	name
a	Origin		

tolerance		scale: 2:1
material:	SEE NOTES	
2006	date	name
drawn	15.02.	Lehmenkühler
appd.	15.02.	Mickenbecker
norm		
d-old		

material: SEE NOTES

title: **FULL METAL LC-FILTER ADAPTER**
PLUG / SOCKET 9-37pos.
with jack screws

dwg no: AutoCAD 2004

24K1A767

part no: **SEE TABLE**

DIN-A 3 sh: 1/1