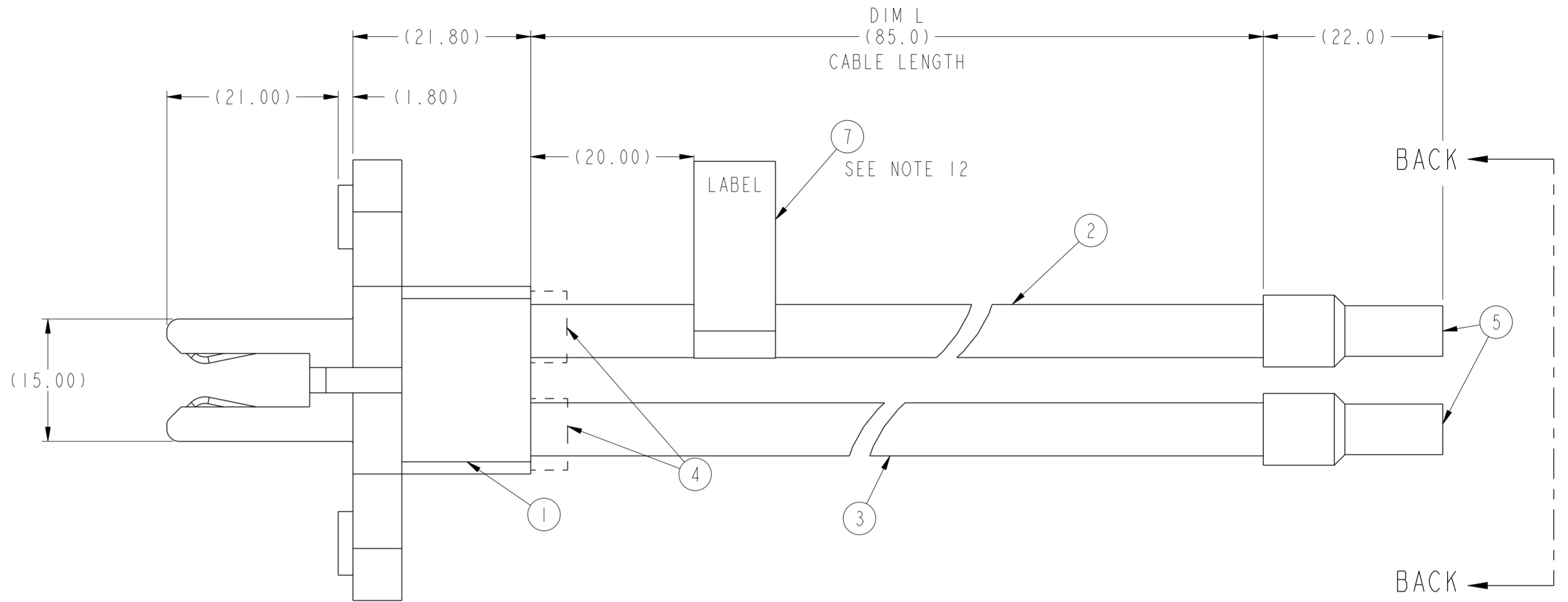
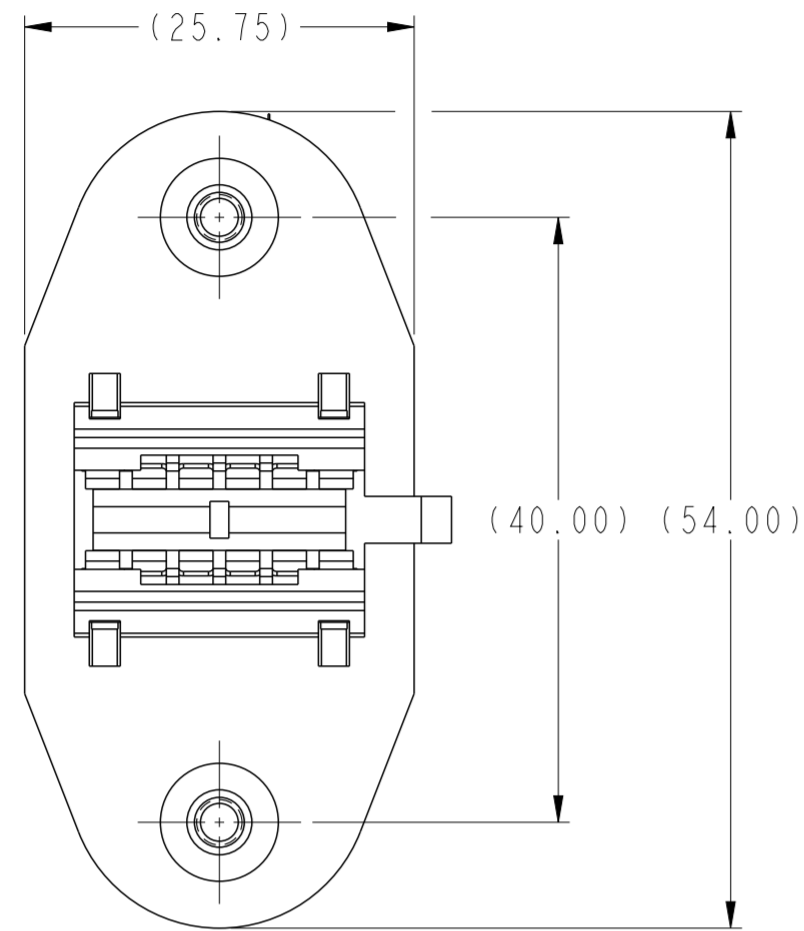
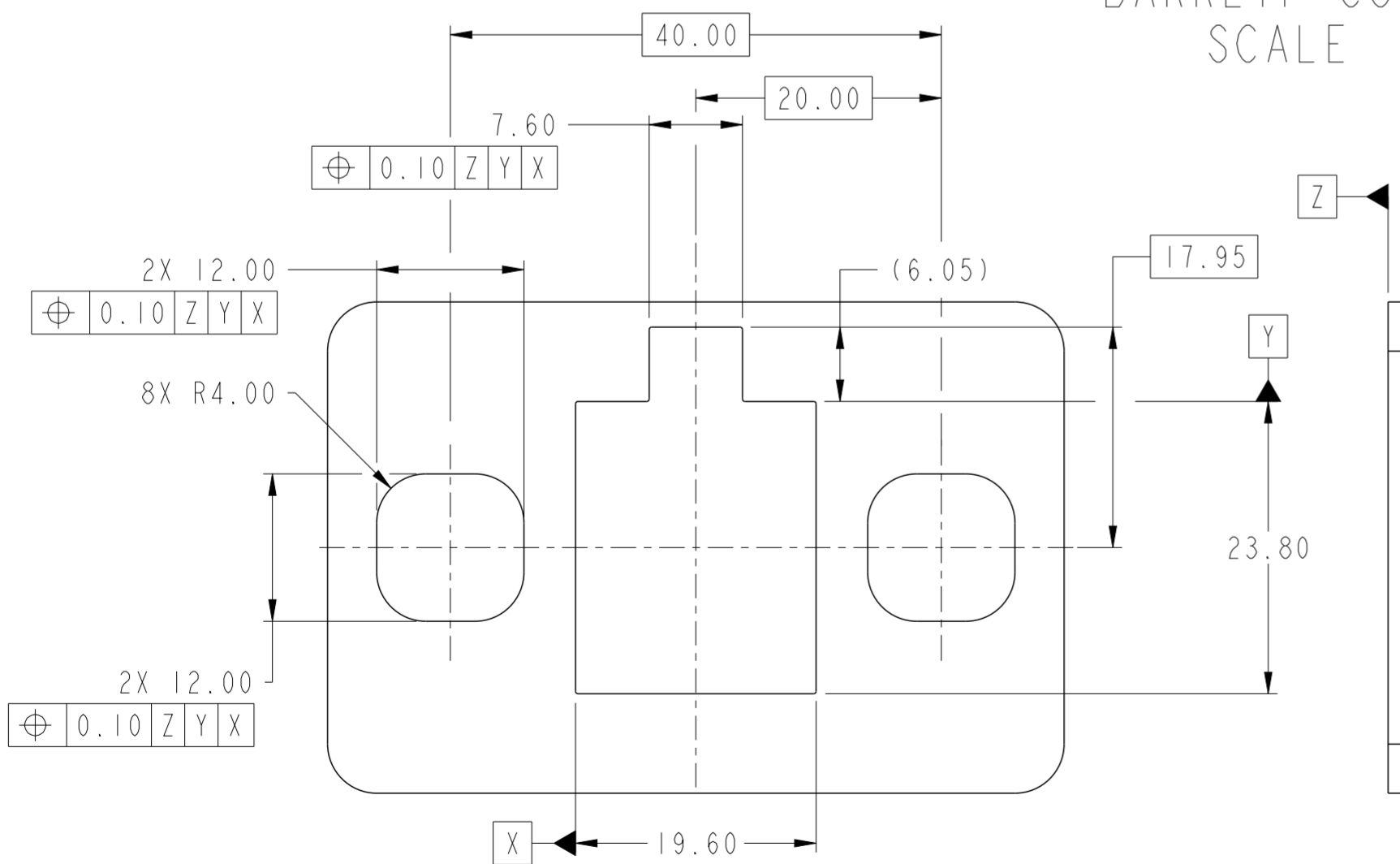


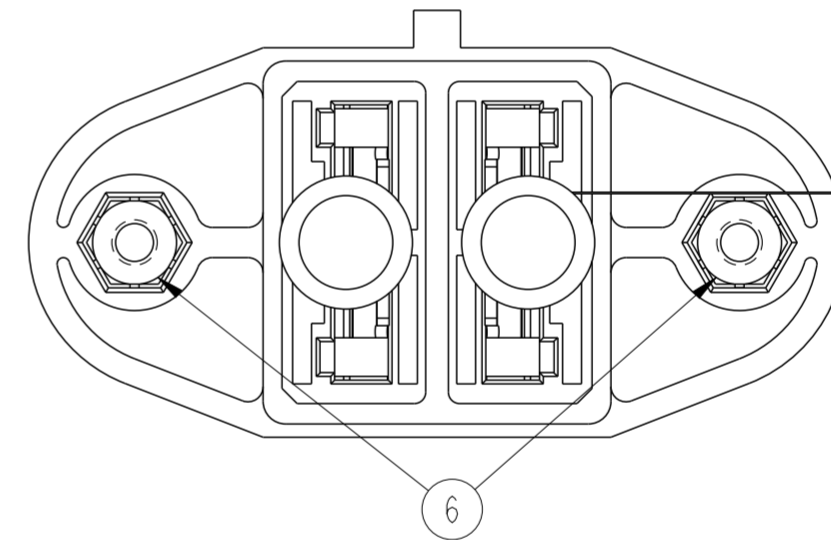
FCI PN: SEE NOTE 3	CUSTOMER VERSION
10142911-00ILF	A00



A SIDE
BARKLIP CONNECTOR
SCALE 2:1



PANEL CUTOUT DETAILS FOR 2mm FLOAT
PANEL THICKNESS 1.35 ± 0.45mm
SCALE 2:1



BACK VIEW

7	ID LABEL	1	EA
6	M3 NUT	2	EA
5	CORE END TERMINAL, KST: E16-12, IVORY	2	EA
4	H.S.TUBE	2	M
3	UL10198 6AWG RED HI-FLEX	1	M
2	UL10198 6AWG BLACK HI-FLEX	1	M
1	BARKLIP CONNECTOR KIT	1	EA
NO.	DESCRIPTION	QTY	UNIT

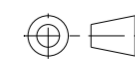
spec ref	-	dr	Chris Gieski	2017/02/25	projection	mm	size	A2	scale	2:1
tolerance std	ASME Y14.5	eng	Andy Zhuang	2017/10/21	chr	-	ecn no	-	rel level	Released
surface	linear	ASME Y14.5	angular	0°	±0.3	±0.10	±0.05	±2°	Amphenol FCI	BK 10 OCP CABLE ASSEMBLY
										BK 10
										cat. no.
										Product - Customer Drw
										sheet 1 of 2

NOTES:

1. END "A" MATES WITH 6.00mm THICKNESS COPPER BUSBAR.
2. UNLESS OTHERWISE SPECIFIED ASSEMBLED LENGTH TOLERANCE =
 $< 1 \text{ METER: } \pm 15.00\text{mm}$
 $1 \text{ METER TO } 10 \text{ METERS: } \pm 2\% \text{ OF "DIM L"}$
 $> 10 \text{ METERS: } +0\% -4.0\% \text{ OF "DIM L"}$
3. CONNECTOR PART NUMBER WILL BE DETERMINED BASED ON END TERMINATION.
4. UNLESS OTHERWISE SPECIFIED ALL CABLE ASSEMBLIES SHALL BE 100% HI-POT TESTED. ALL CABLE ASSEMBLIES SHALL BE TESTED 100% FOR CONTINUITY AS DEFINED IN WIRING LIST.
5. ALL CUSTOMER DRAWINGS ARE SUPPLIED WITH METRIC DIMENSIONS
6. LEAD FREE PRODUCTS MEET EUROPEAN UNION DIRECTIVES AND OTHER COUNTRY REGULATIONS AS DESCRIBED IN GS-47-0004.
7. PACKAGING OF LEAD FREE PRODUCTS MEETS LABELING AND PACKAGING SPECIFICATION GS-14-920.
8. CONNECTOR ASSEMBLIES SHOWN ARE FOR REFERENCE ONLY AND MAY NOT SHOW ALL PART DETAIL. REFERENCE CONNECTOR HOUSING DRAWING FOR COMPLETE DETAILS.
9. GLOBAL STANDARDS FOR CABLE PACKAGING: GS-14-1093.
10. THIS DIMENSION IS A FINISHED PRODUCT LENGTH.
11. CABLE: UL APPROVED
 HOUSING: HIGH TEMP. THERMOPLASTIC
 COLOR: BLACK
 POWER CONTACTS: COPPER ALLOY
12. LABEL DETAIL SHOULD INCLUDE ASSEMBLY PART NUMBER AND DATE CODE.
13. 2PCS TAPPING SCREW AND 2PCS WASHER INCLUDED WITH EACH CONNECTOR ASSEMBLY.
14. ALL COMPONENTS MUST BE HALOGEN FREE.

Amphenol FCI

© 2016 AFCI

spec ref	-	dr	Chris Gieski	2017/02/25	projection		mm	size	A2	scale	1:1
tolerance std	-	eng	Andy Zhuang	2017/10/21	chr	-	ecn no	-			
ASME Y14.5	TOLERANCES UNLESS OTHERWISE SPECIFIED	appr	Steve Pressel	2017/10/21	product family	-	rel level	Released			
surface	linear	0.X	±0.3	Amphenol FCI	BK 10 OCP CABLE ASSEMBLY	BK 10	10142911	A			
		0.XX	±0.10								
		0.XXX	±0.05								
ASME Y14.5	angular	0°	±2°	cat. no.	-	Product - Customer Drw	sheet 2 of 2				