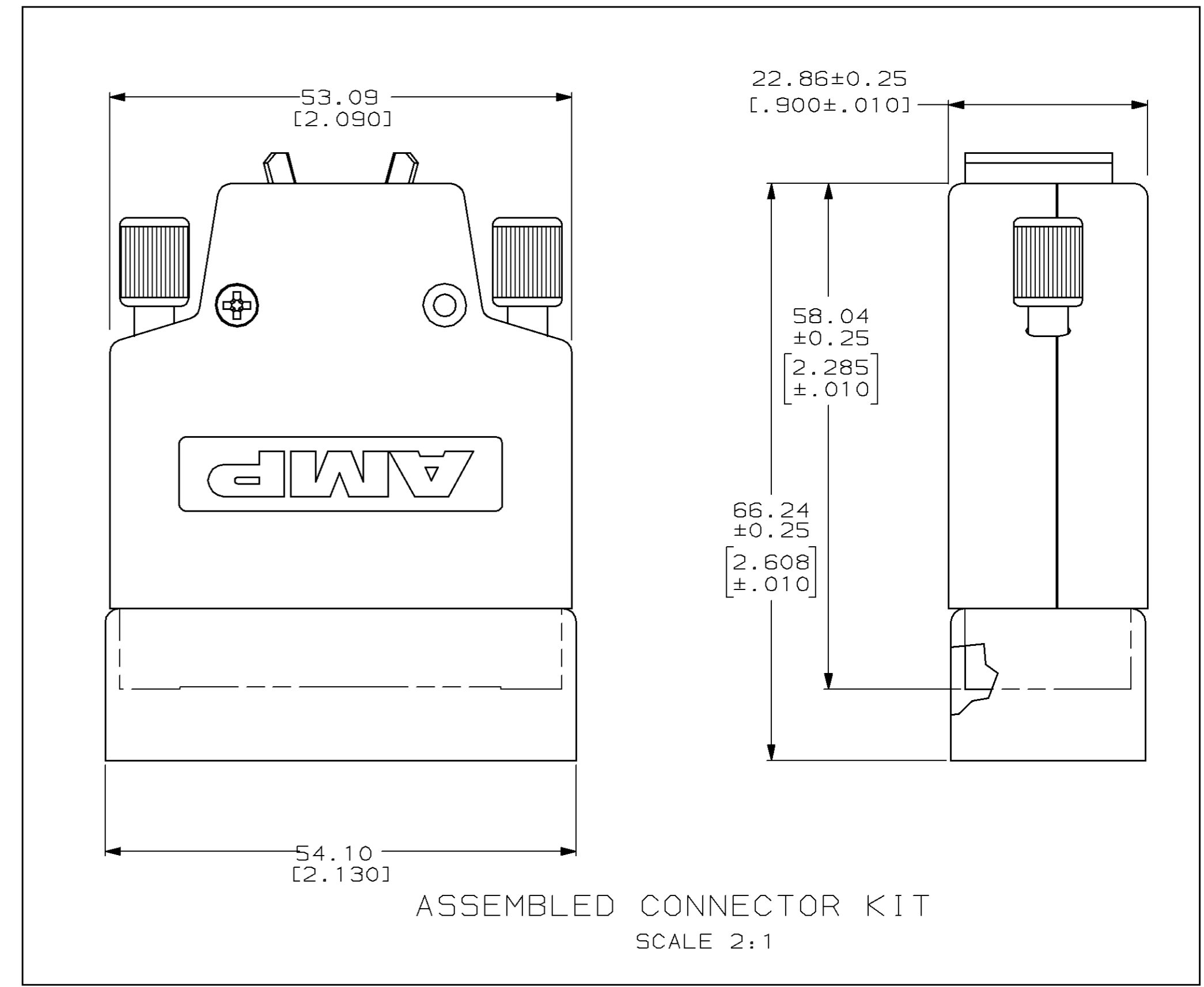
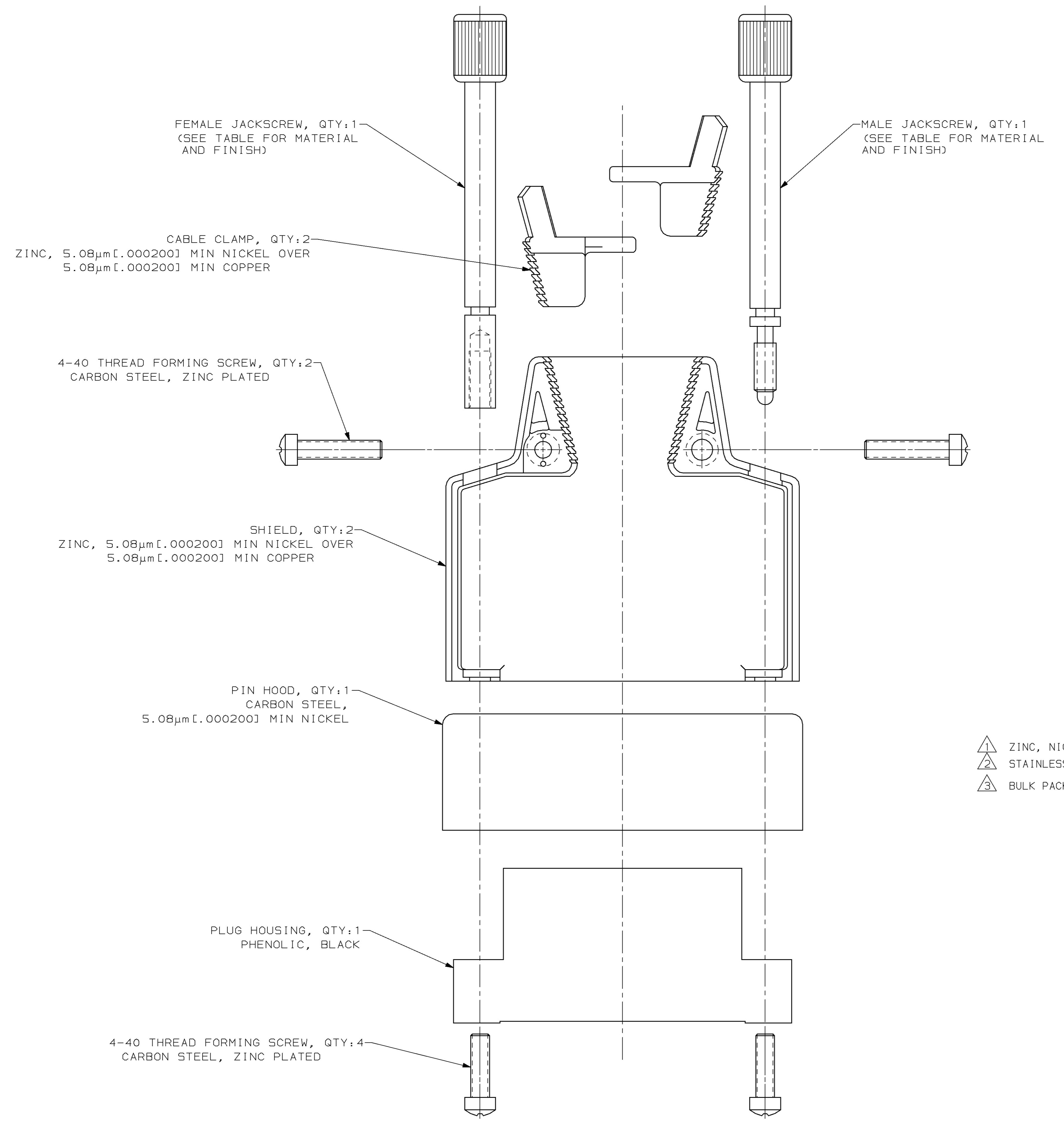


LOC	DIST	P	F	ZONE	LTR	DESCRIPTION	DATE	APPD
FT	8					REVISED PER NPR 3588, WAS 90-4883-31	6-21-91	-
						ADDED -5 PER NPR 4275	07/22/92	SK
						ADDED -6 PER NPR 4287	07/30/92	RK
						ADDED -7 & -8 PER NPR 4304	08/12/92	SK
						ADDED -9 PER NPR 5009	12/15/93	TC
						REV PER ECN 0020-430-94	04/28/94	TC
						ADDED 1--0 PER EC 0020-1216-94	11/10/94	TC
						REV PER EC 0020-216-95	03/27/95	TC
						REV PER EC 0020-318-95	05/05/95	TC
						ADDED 1--1 PER EC 0320-46-96	11 SEP 96	MM
						085 -5, -6 & -8 PER EC 0020-598-96	07 JAN 97	MM



- 1 ZINC, NICKEL PLATED.
- 2 STAINLESS STEEL.
- 3 BULK PACKAGED.

OBsolete	Material	Finish	Dimensions	Part No
	1	YES	3.81-7.62 [.150-.300]	1-213684-1
	1	NO	3.81-7.62 [.150-.300]	1-213684-0
	1	YES	3.81-7.62 [.150-.300]	213684-9
OBsolete	2	NO	6.35-10.16 [.250-.400]	213684-8
	2	NO	10.16-15.24 [.400-.600]	213684-7
OBsolete	2	YES	6.35-10.16 [.250-.400]	213684-6
OBsolete	2	YES	10.16-15.24 [.400-.600]	213684-5
	2	YES	6.35-10.16 [.250-.400]	213684-4
	2	YES	10.16-15.24 [.400-.600]	213684-3
	2	NO	6.35-10.16 [.250-.400]	213684-2
	2	NO	10.16-15.24 [.400-.600]	213684-1
			JACKSCREW	PIN HOOD
			CABLE DIAMETER	PART NO

DO NOT SCALE PRINT. UNLESS SPECIFIED DIMENSIONS IN mm [INCHES] TOLERANCES ON: 2 PLC DEC ± 0.13[.005] 3 PLC DEC ± - ANGLES ± -	DR 6-21-91 W.G.LENKER CHK 6-27-91 R STONE APPD 6-28-91 A BOULLIANNE APPD 6-28-91 A BOULLIANNE	AMP Incorporated Harrisburg, PA 17105-3608		
SEE CALLOUTS	PRODUCT SPEC	NAME CONNECTOR KIT, UNASSEMBLED, 34 POSITION, M SERIES		
FINISH SEE CALLOUTS	APPLICATION SPEC	SIZE D	CAGE CODE 00779	DRAWING NO 213684
	WEIGHT	SCALE 3:1	SHEET 1 OF 1	