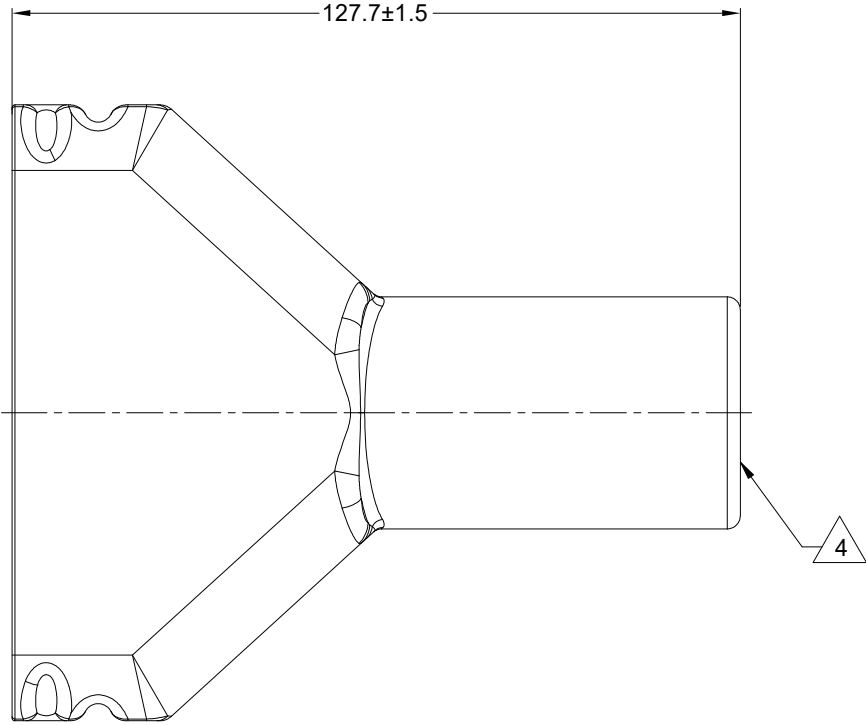
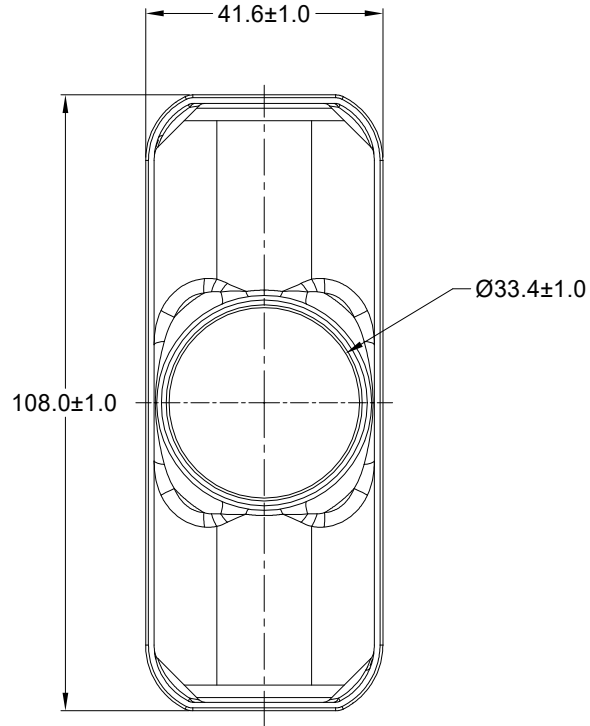


REVISIONS					
REV	ECO	DESCRIPTION	DATE	BY	APPR
A1		RELEASE NEW DRAWING	01/AUG/22	LOUIE	TOMMY



NOTES: UNLESS OTHERWISE SPECIFIED

- THIS PART IS USED ON ARC12-70PX(R) RECEPTACLE AND ARC16-70SX(R)-XXXX PLUG WHERE X = A,B,C,D KEYS AND XXXX = MODIFICATION.
- TEMPERATURE RATING : -29°C TO +100°C [-20°F TO +212°F]
- BOTTOM OF PART MOLDED OPEN.
- SMALL MATERIAL EXTENSION IS ACCEPTABLE ON THIS END ALL AROUND
- ALL DIMENSIONS ARE FOR REFERENCE USE ONLY.

	ARC70-BT	REF DRC70-BT	
	PART NUMBER	DESCRIPTION	ITEM
QUANTITY	MATERIALS LIST		
<b>UNLESS OTHERWISE SPECIFIED</b> 1) All dimensions are in metric(mm). 2) Tolerances are as follows: 1 PL DEC ±0.30    Fractions ±1/64 2 PL DEC ±0.15    Angles ±1° 3 PL DEC ±0.08 3) Note reference =		<b>SIGNATURES</b> DRAWN: LOUIE.YIN CHECKED: ORION.LI ENGINEER: APPROVAL: TOMMY.XIE CUSTOMER:	<b>DATE</b> 01/AUG/22 02/AUG/22 03/AUG/22
MATERIAL SPECIFICATIONS:		THIS DRAWING IS SUPPLIED FOR INFORMATION ONLY. DESIGN FEATURES, SPECIFICATIONS AND PERFORMANCE DATA SHOWN HEREON ARE THE PROPERTY OF THE AMPHENOL CORPORATION. NO RIGHTS OF REPRODUCTION ARE IMPLIED. ALL DIMENSIONS ARE SUBJECT TO NORMAL MANUFACTURING VARIATIONS.	
PROCESS SPECIFICATIONS:		SIZE: <b>A C-</b> SCALE: NONE	TYPE: <b>ARC70-BT</b> DWG NO: <b>ARC70-BT</b> REVISION: <b>A1</b>
NEXT ASSY:		SHEET <b>1</b> OF <b>1</b>	

Amphenol

Sine Systems - www.amphenol-sine.com  
 44724 Morley Drive  
 Clinton Township, MI 48036

BOOT,70PIN,ARC SERIES