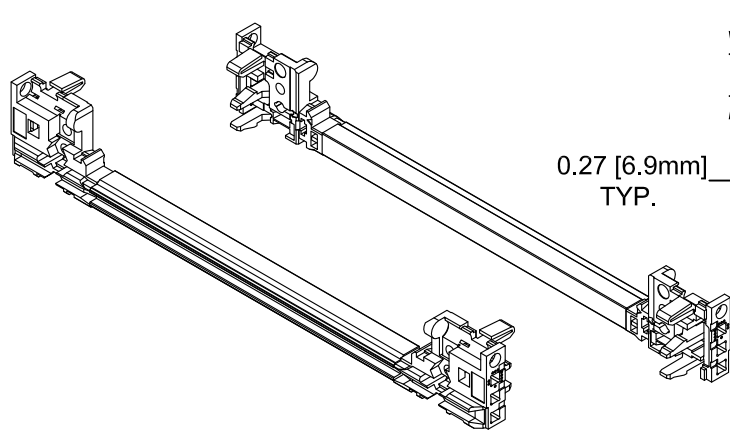
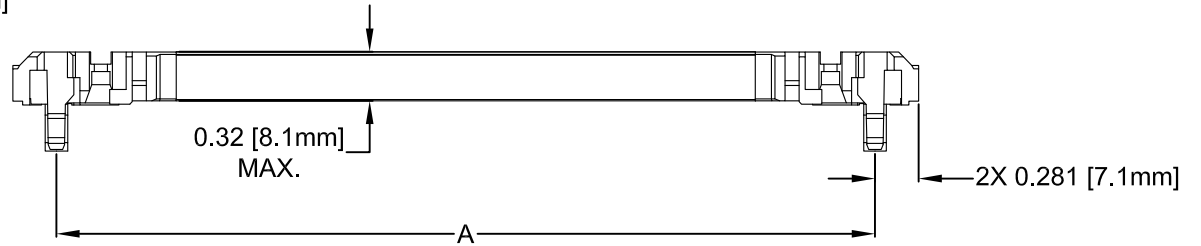
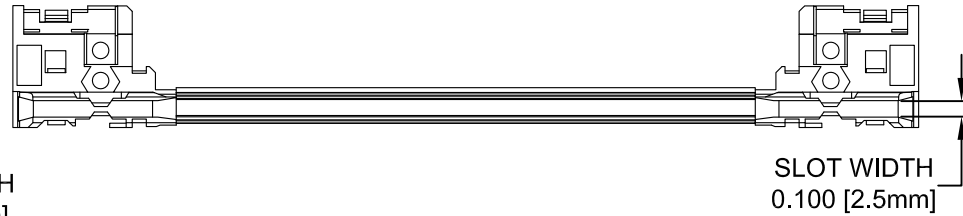
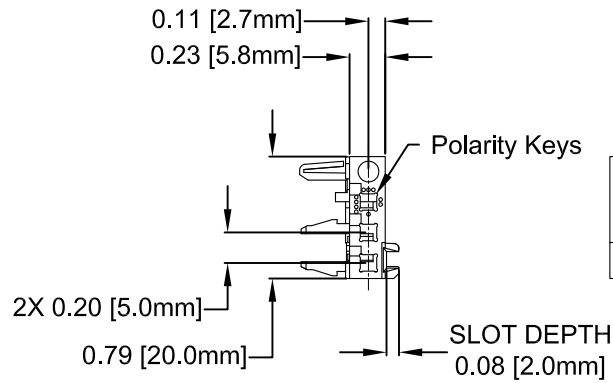


REV.	DESCRIPTION	DATE	APPROVED
B	Engineering Release.	11/21/14	J. C.



PART NUMBER	A in [mm]
CPCI-N160	5.29 [134.3]
CPCI-N220	7.65 [194.3]
CPCI-N280	10.01 [254.3]
CPCI-N340	12.38 [314.3]

STANDARD TOLERANCE (UNLESS OTHERWISE SPECIFIED)		BIVAR®	
DECIMALS	ANGULAR	4 THOMAS, IRVINE, CA. 92618	
.X ±.1	X° ± 1°	TEL: (949) 951-8808 FAX: (949) 951-3974	
.XX ±.01		TITLE: COMPACT-PCI METAL NARROW CARD GUIDE	
.XXX ±.005		PART NO: CPCI-NXXX	
DESIGNED: Alex Wright	DATE: 07/07/14	REVISION: B	
CHECKED: Brian Oliver	DATE: 07/07/14	CAGE CODE : 32559	SHEET # 1 OF 1
CAD GENERATED DOCUMENT, DO NOT MEASURE DRAWING.			

2. MATERIAL: POLYCARBONATE, 20% GLASS FILLED & ALUMINUM BODY
1. GENERAL SPECIFICATIONS: BIVAR MOLDED COMPONENT SPECIFICATION BV00-E101.