

PART NAME

SWIVEL CASTER WITH BRAKE

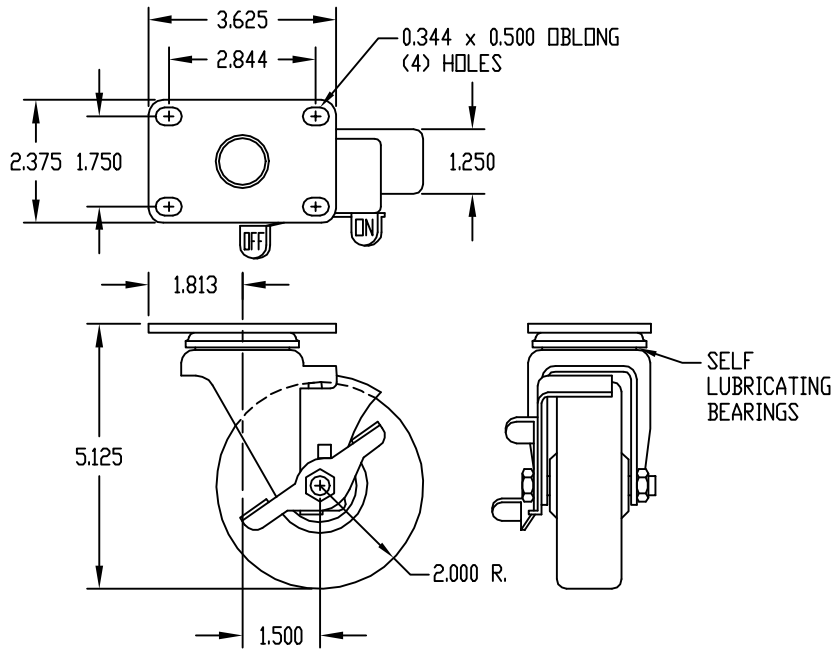
PART No.

RC-7761

LOAD RATING: 240 LBS.

WHEEL MATERIAL: HARD TREAD RUBBER

CASTERS ARE PACKAGED IN PAIRS.



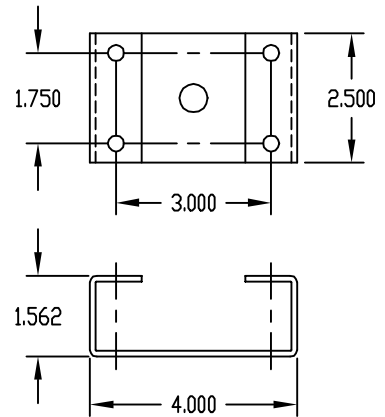
SWIVEL RADIUS: 3.500

CASTERS WILL RAISE SERIES-60 & -2000 CABINET RACKS BY 4.000 INCHES AND RAISE ECONDMIZER CABINET RACKS BY 4.125 INCHES.

MOUNTING BRACKET

MATERIAL: 12 GA. STEEL

FINISH: FLAT BLACK SMOOTH



PART NAME

SWIVEL CASTER

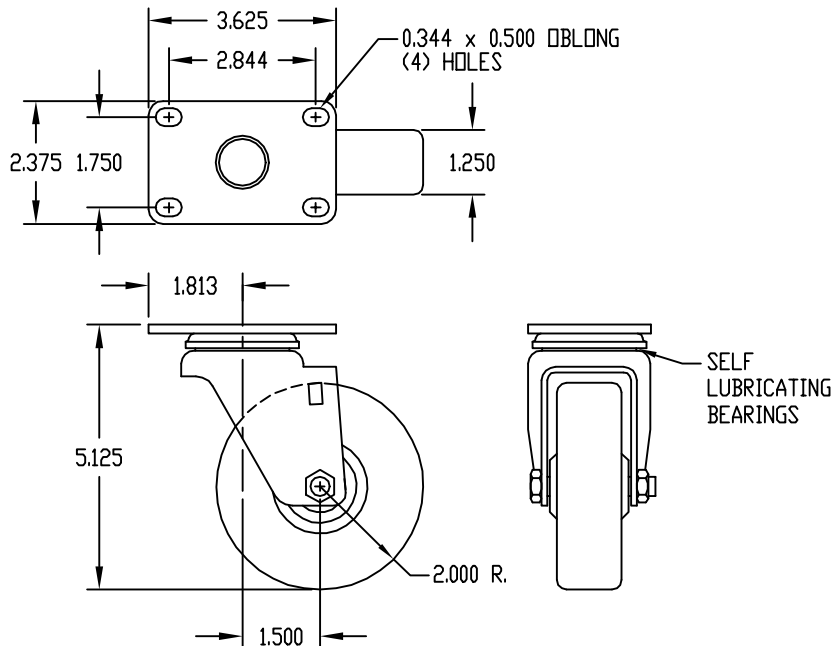
PART No.

RC-7762

LOAD RATING: 240 LBS.

WHEEL MATERIAL: HARD TREAD RUBBER

CASTERS ARE PACKAGED IN PAIRS.



SWIVEL RADIUS: 3.500

CASTERS WILL RAISE SERIES-60 & -2000 CABINET RACKS BY 4.000 INCHES AND RAISE ECONDMIZER CABINET RACKS BY 4.125 INCHES.

MOUNTING BRACKET

MATERIAL: 12 GA. STEEL

FINISH: FLAT BLACK SMOOTH

