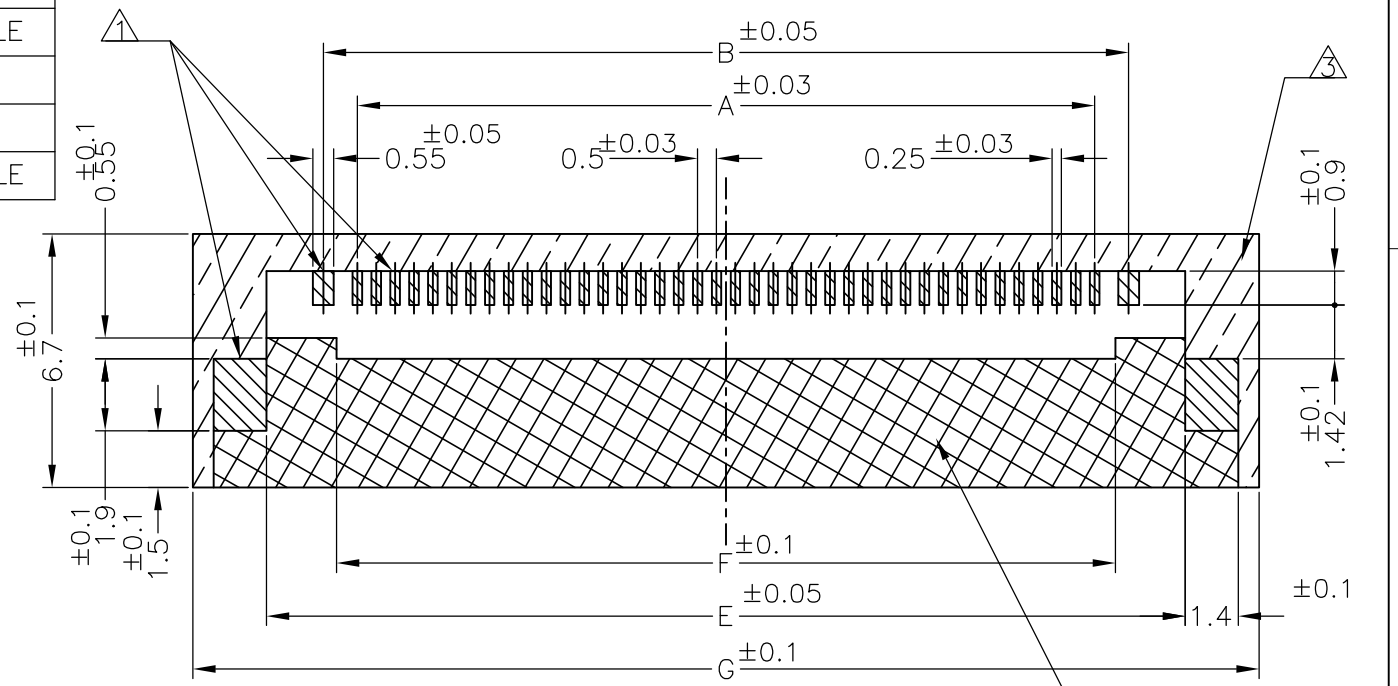
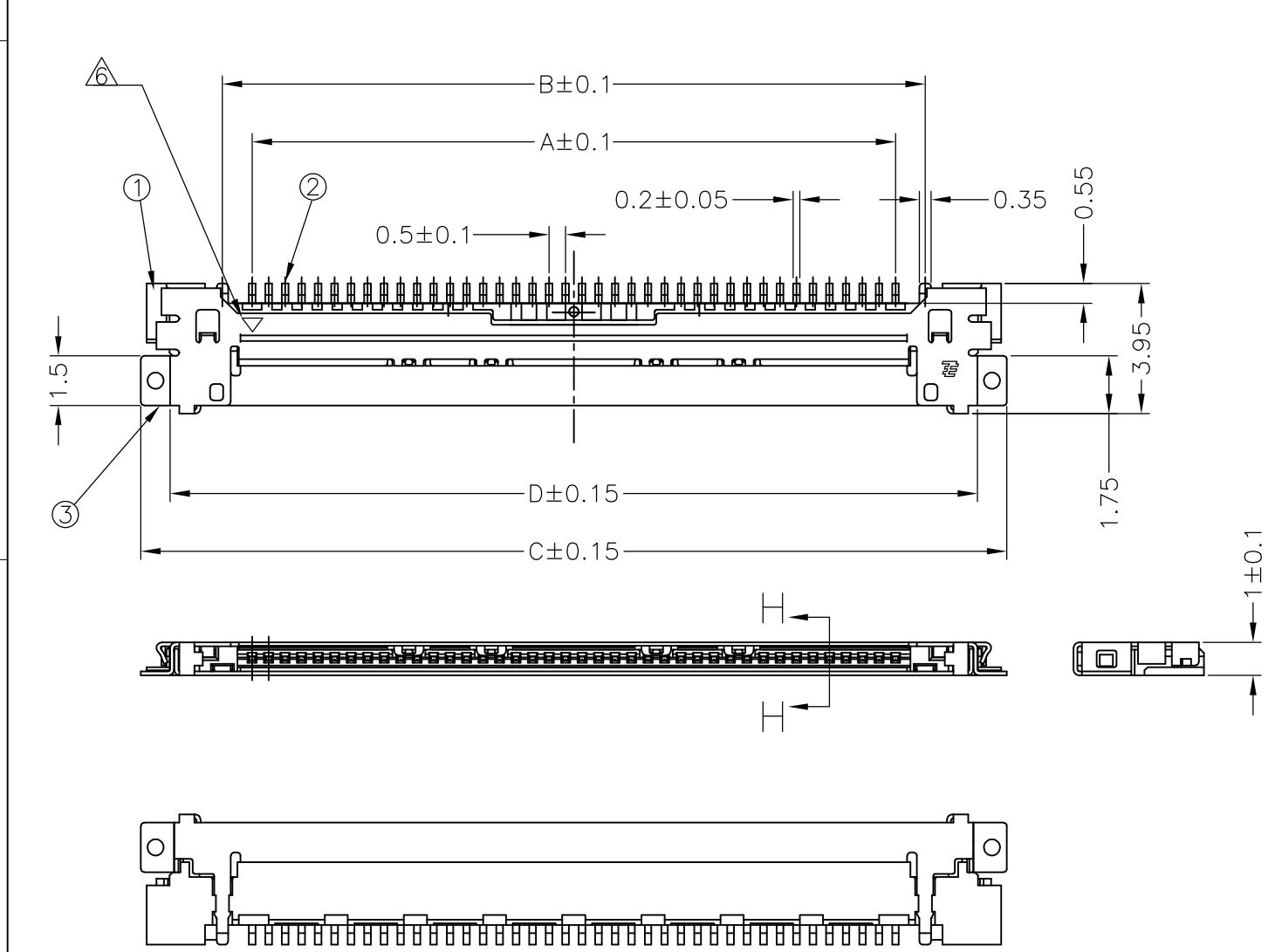


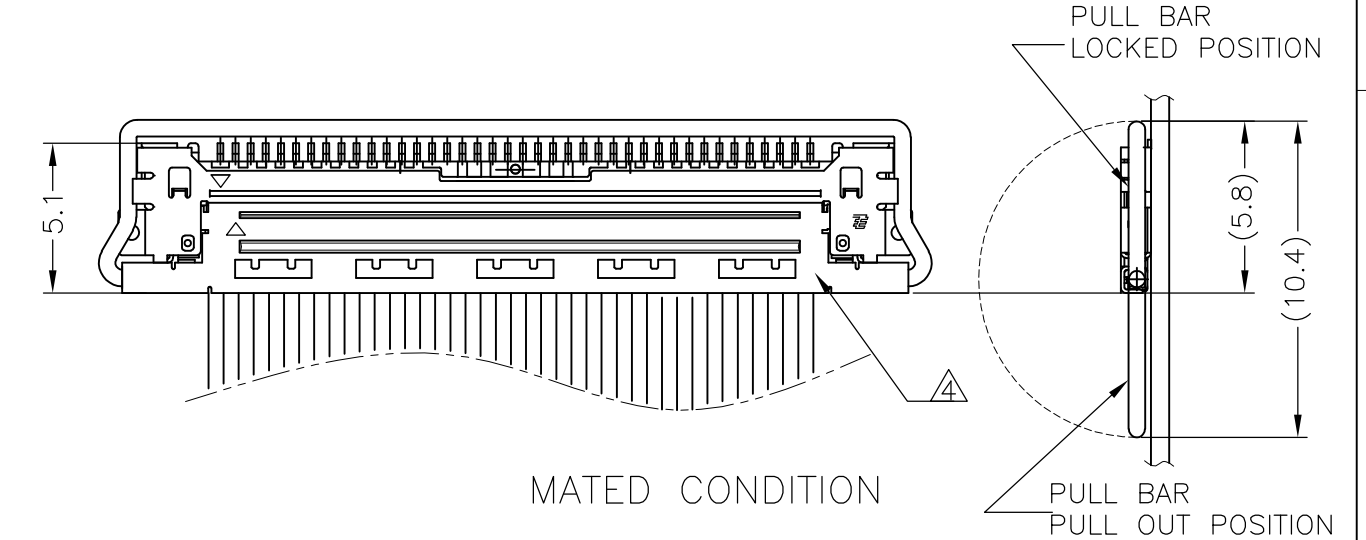
THIS DRAWING IS UNPUBLISHED.		RELEASED FOR PUBLICATION								
© COPYRIGHT - By -		ALL RIGHTS RESERVED.								
PART NO.	POS NO.	A	B	C	D	E	F	G	DATUM MARK	TOOLING STATUS
2069716-3	40	19.5	21.3	26.25	24.47	24.3	20.6	28.2	WITHOUT DATUM MARK	AVAILABLE
2069716-2	30	14.5	16.3	21.25	19.47	19.3	15.6	23.2		NOT AVAILABLE
2069716-1	20	9.5	11.3	16.25	14.47	14.3	10.6	18.2		NOT AVAILABLE
5-2069716-3	40	19.5	21.3	26.25	24.47	24.3	20.6	28.2	WITH DATUM MARK	OBSOLETE
5-2069716-2	30	14.5	16.3	21.25	19.47	19.3	15.6	23.2		OBSOLETE
5-2069716-1	20	9.5	11.3	16.25	14.47	14.3	10.6	18.2		NOT AVAILABLE

REVISIONS					
P	LTR	DESCRIPTION	DATE	DWN	APVD
	B	REVISED (ECR-17-011570)	16AUG2017	C.H	A.K

5-2069716-3 AS SHOWN

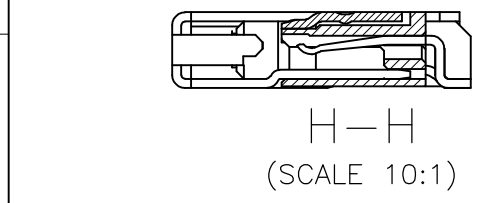


REFERENCE PWB LAYOUT

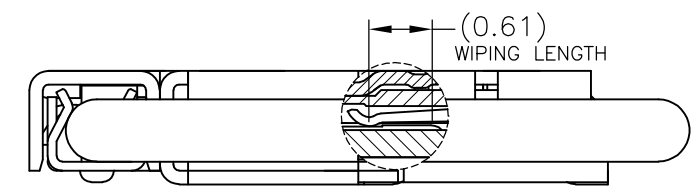


MATED CONDITION

③	SHELL	COPPER ALLOY, Au OVER Ni
②	CONTACT	COPPER ALLOY, Au OVER Ni
①	HOUSING	HIGH TEMP. THERMOPLASTIC, UL94V-0, BLACK
ITEM	PART NAME	MATERIAL & FINISH



H-H
(SCALE 10:1)



MATED CONDITION
(REFERENCE)

- SOLDERING AREA
- RESIST OR GND AREA
- PULL BAR MOVEMENT AREA
- THE CONNECTOR SHOULD BE PLUGGED WITH 2069715-3.
- COPLANARITY 0.1MAX
- DATUM MARK
- INSTRUCTION SHEET 411-78355

THIS DRAWING IS A CONTROLLED DOCUMENT.		DWN	Y.SHINO	18SEP2009
		CHK	S.KAJINUMA	18SEP2009
		APVD	S.KAJINUMA	18SEP2009
		PRODUCT SPEC	NAME	
		APPLICATION SPEC	LCD COAXIAL EMBEDDED DISPLAY INTERFACE (LCEDI) 0.5mm PITCH RECEPTACLE ASSEMBLY	
DIMENSIONS: mm		TOLERANCES UNLESS OTHERWISE SPECIFIED:		
		0 RLC	± -	
		1 PLC	± -	±0.2
		2 PLC	± -	±2°
		3 PLC	± -	
		4 PLC	± -	
		ANGLES	± -	
MATERIAL		FINISH		

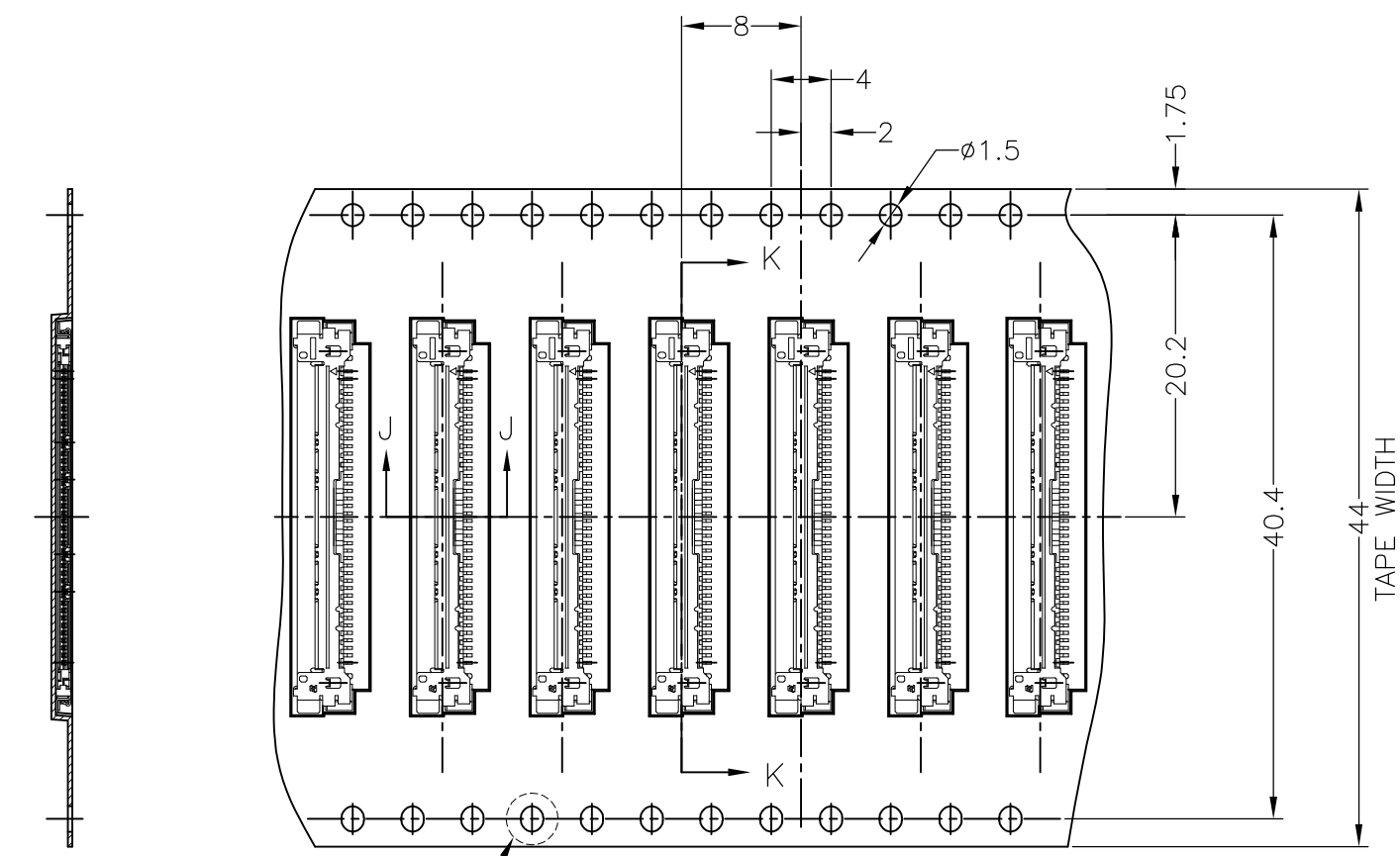
CUSTOMER DRAWING		SCALE	5:1	SHEET	1 OF 2	REV	B
------------------	--	-------	-----	-------	--------	-----	---

THIS DRAWING IS UNPUBLISHED. RELEASED FOR PUBLICATION
 © COPYRIGHT - By - ALL RIGHTS RESERVED.

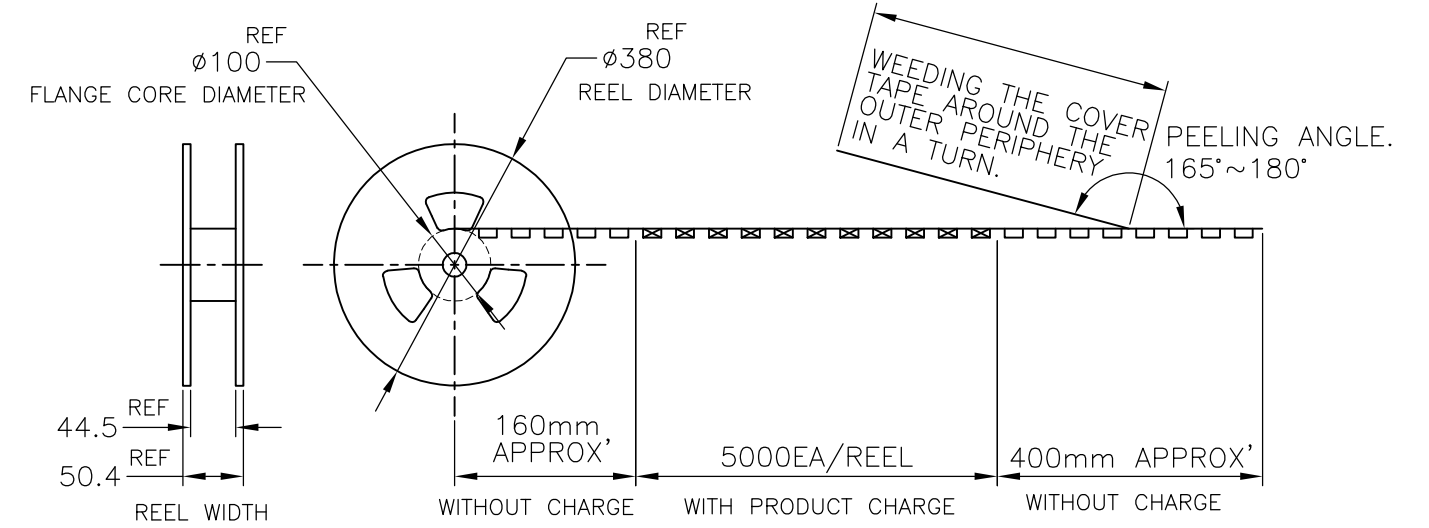
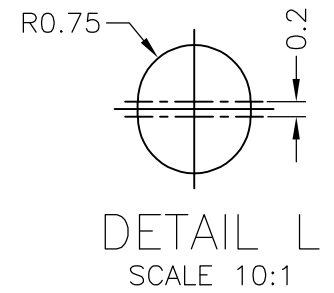
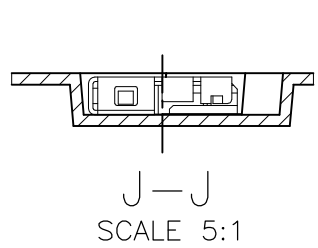
REVISIONS					
P	LTR	DESCRIPTION	DATE	DWN	APVD
-	-	SEE SHEET 1	-	-	-

EMBOSS PACKING CONDITION

DIRECTION OF TOP OF REEL →



K-K
 DETAIL L



THIS DRAWING IS A CONTROLLED DOCUMENT.		DWN	TE Connectivity		
DIMENSIONS: mm		CHK	NAME		
		APVD	LCD COAXIAL EMBEDDED DISPLAY INTERFACE (LCEDI) 0.5mm PITCH CONNECTOR RECEPTACLE ASSEMBLY		
TOLERANCES UNLESS OTHERWISE SPECIFIED:		PRODUCT SPEC	SIZE	CAGE CODE	DRAWING NO
0 PLC	± 0.3	APPLICATION SPEC	A3	00779	C-2069716
1 PLC	± 0.3	WEIGHT	RESTRICTED TO		
2 PLC	± 0.3	CUSTOMER DRAWING			
3 PLC	± 0.3	SCALE	2:1	SHEET	2 of 2
4 PLC	\pm	REV B			
ANGLES	$\pm 3'$				
MATERIAL	FINISH				