

Steward

Advanced Ferrite Materials, EMI Suppression, and Inductive Products

Home • Ferrite Product Lines • New Products • Technical • General • Contact • Steward Sales

LI1206H151R-00

STEWARD PART NUMBERING SYSTEM						
PRODUCT SERIES CODE	PART SIZE CODE	RATED CURRENT CODE	IMPEDANCE VALUE CODE	PACKAGING CODE	ADDITIONAL DESCRIPTION	
HZ	0402	A	601	R	-	00

Ambient Operating Temperature Range : -55°C to + 125°C

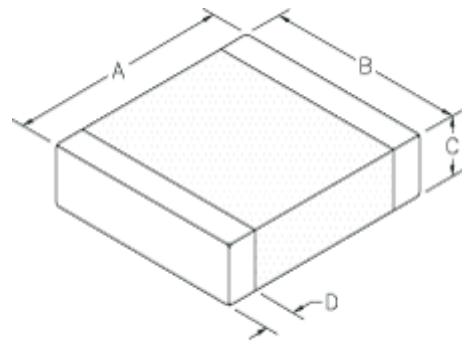


Figure #1

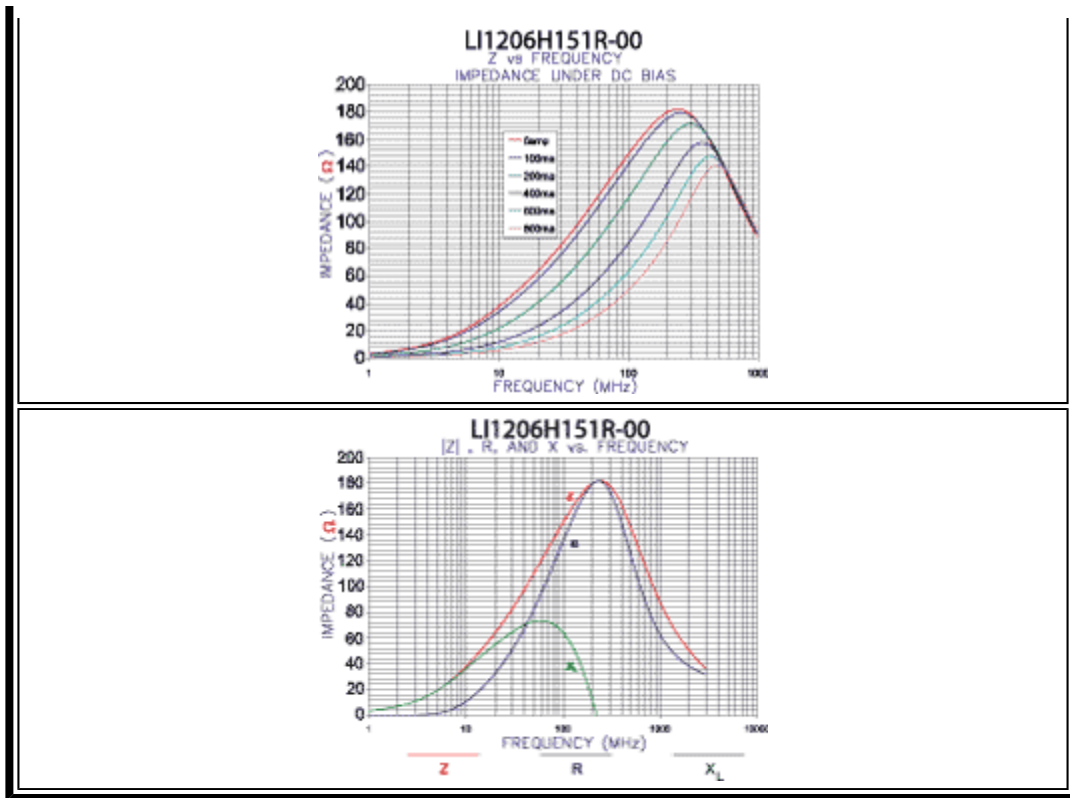
Electrical Characteristics

NET Z @ 100 MHz	DCR Max	Rated Current mA
150	0.15	800

Physical Dimensions

A mm	B mm	C mm	D mm	A in	B in	C in	D in
3.20	1.60	1.10	0.51	0.126	0.063	0.043	0.020





Specifications, which provide more details for the correct use of the described products, are available upon request. All specifications are subject to change without notice. For more information on any of the products listed above, please contact Steward customer service department at (800) 634-2673.

americas@steward.com

mexico@steward.com

europa@steward.com

asia@steward.com

Copyright© 2004 Steward, Inc.

Last Updated: 2/19/2004