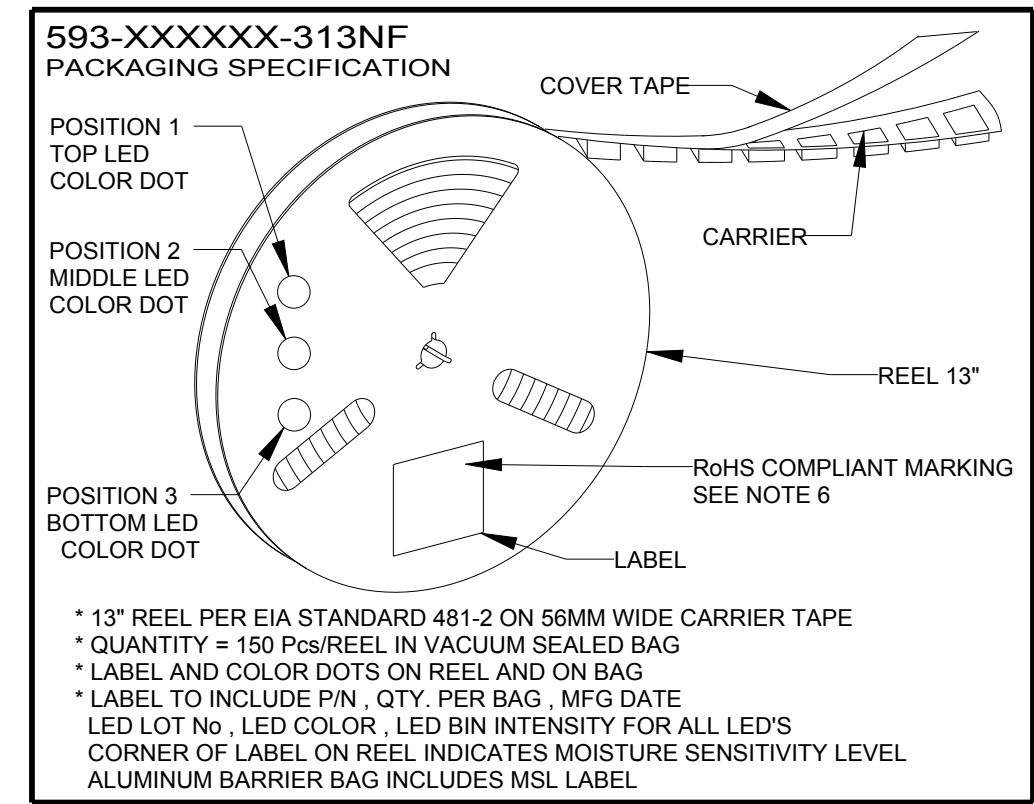
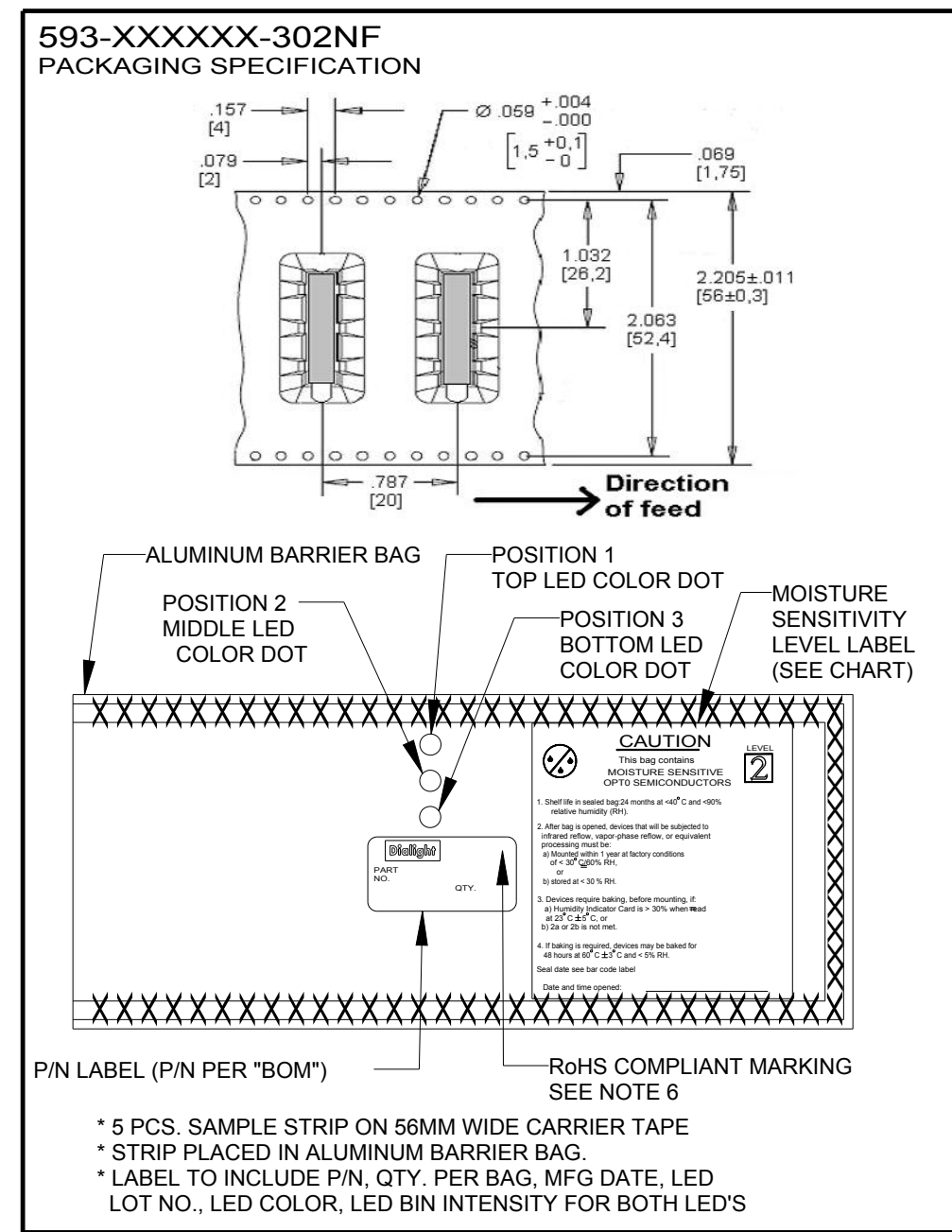
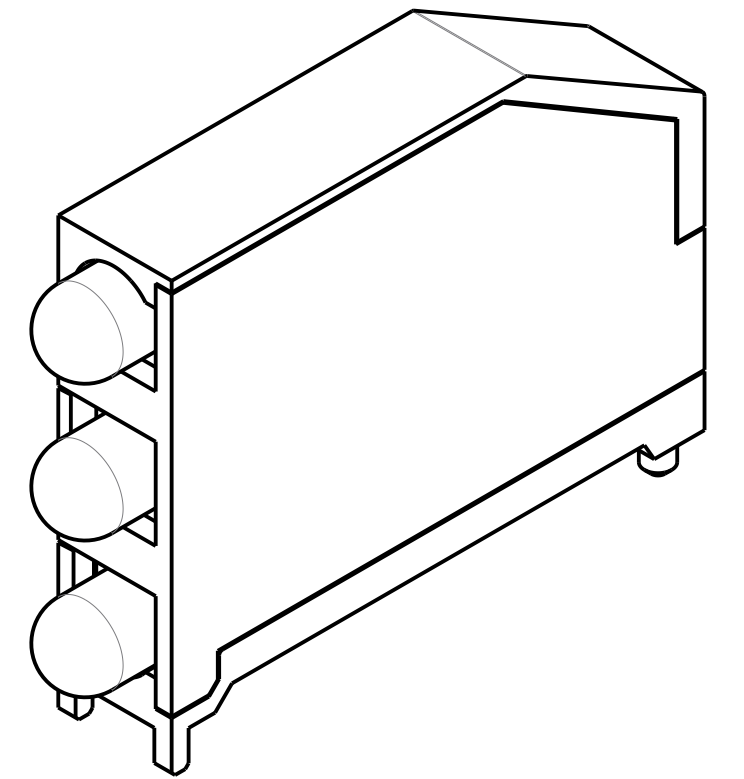
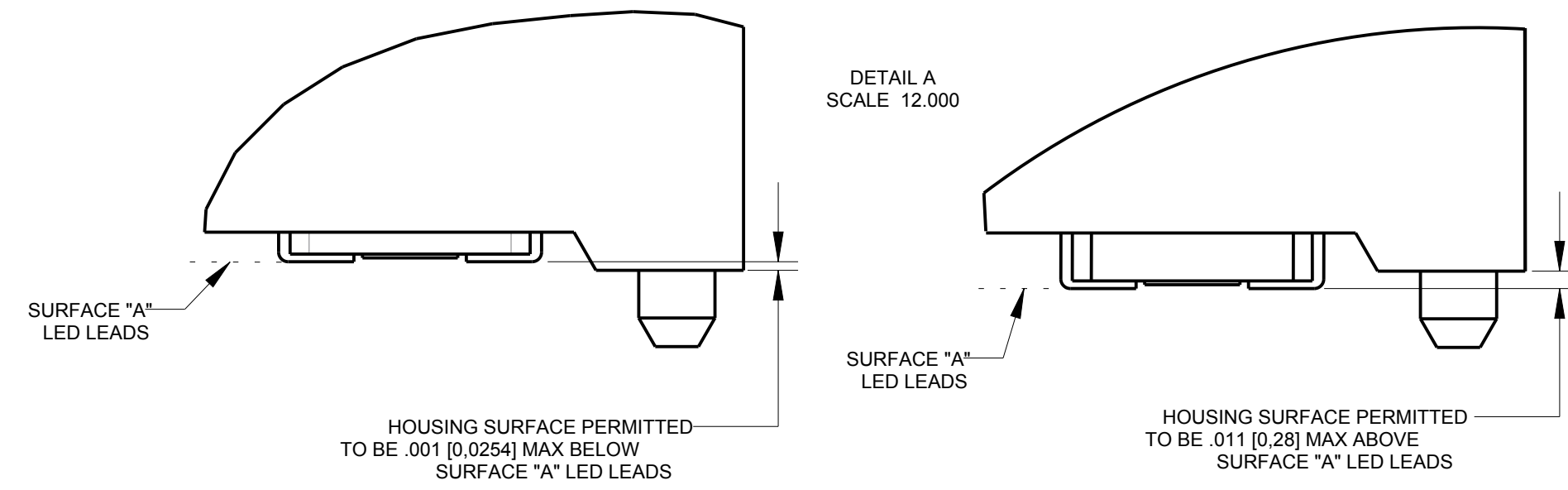


PART NUMBER	POSITION 1	POSITION 2	POSITION 3	MSL	PAD LAYOUT REFERENCE
593-353535-302NF	RED	RED	RED	2A	FIG. 2
593-353535-313NF	GREEN	GREEN	GREEN		
	BLUE	BLUE	BLUE		

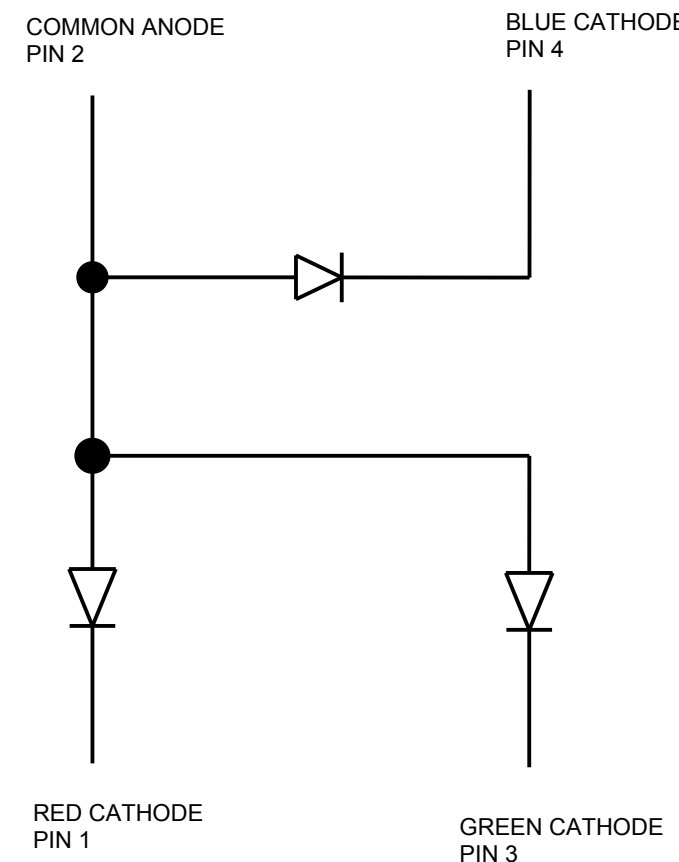
REV	ECN NO	REVISIONS	DRN	APP	DATE
A		NEW RELEASE	LD	NO	4-17-19
B		UPDATED PART NUMBER, LED SCHEMATIC & PAD LAYOUT	LD	NO	4-18-19



**RoHS COMPLIANT 593-XXXXXX-3XXNF**  
 Part Numbers with the "F" suffix ending are RoHS Compliant.  
 Packaging is marked with "RoHS Compliant" label or equivalent markings.

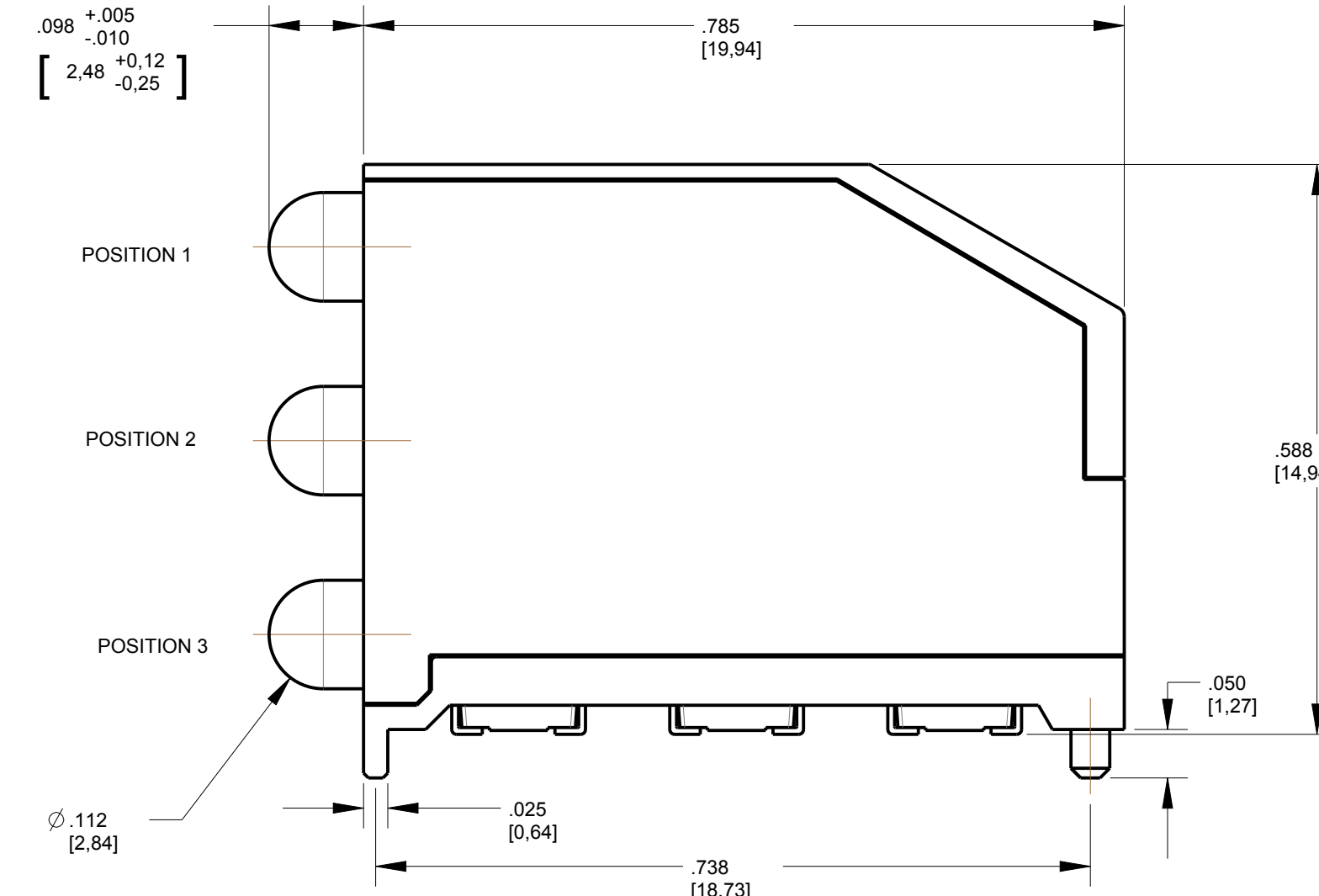
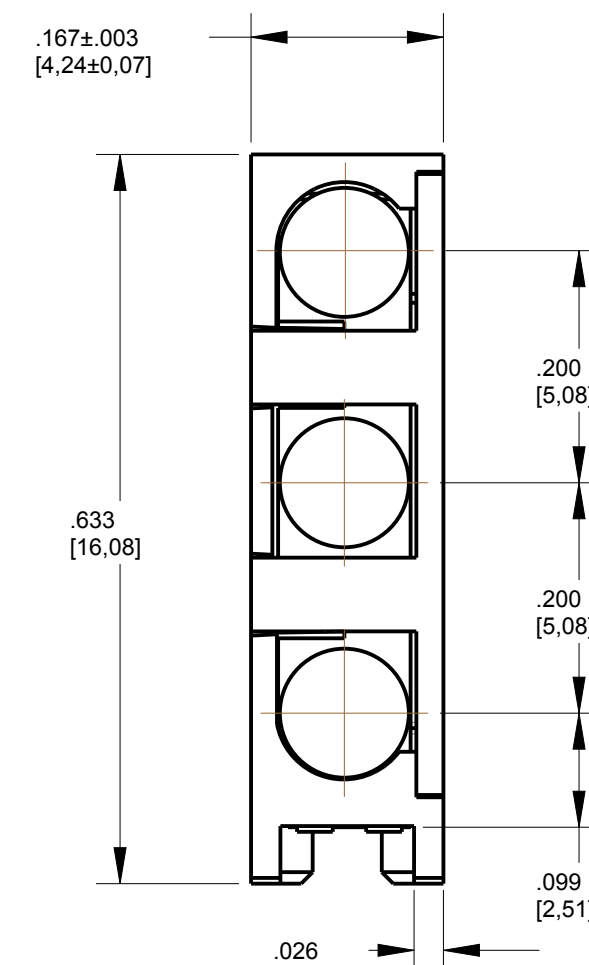


### LED SCHEMATIC

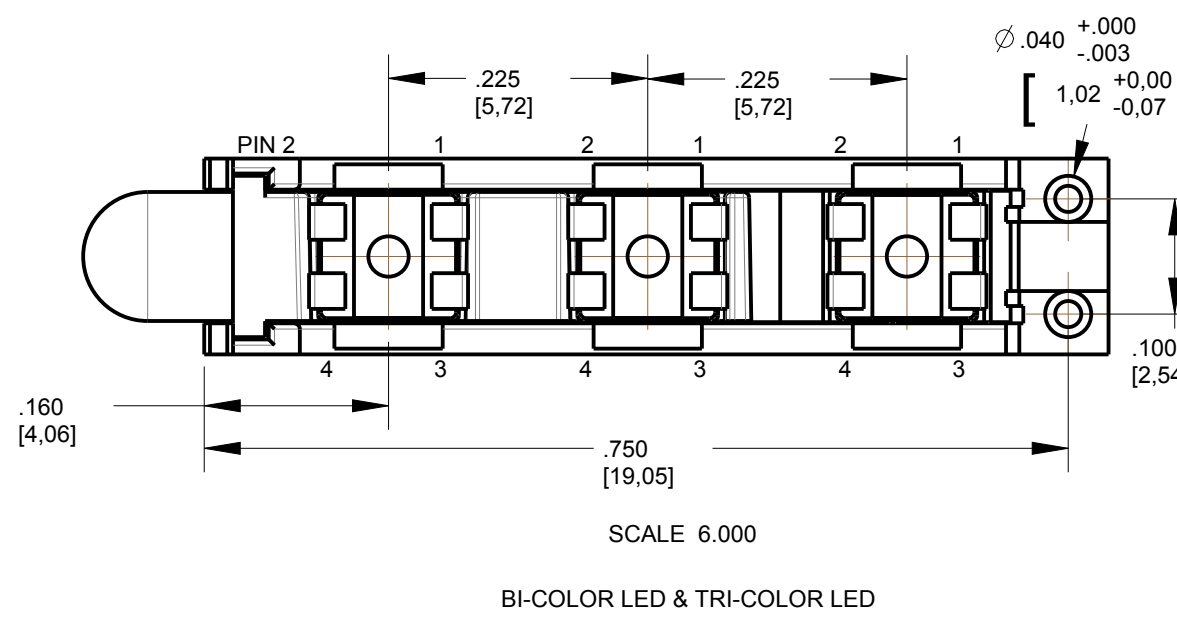
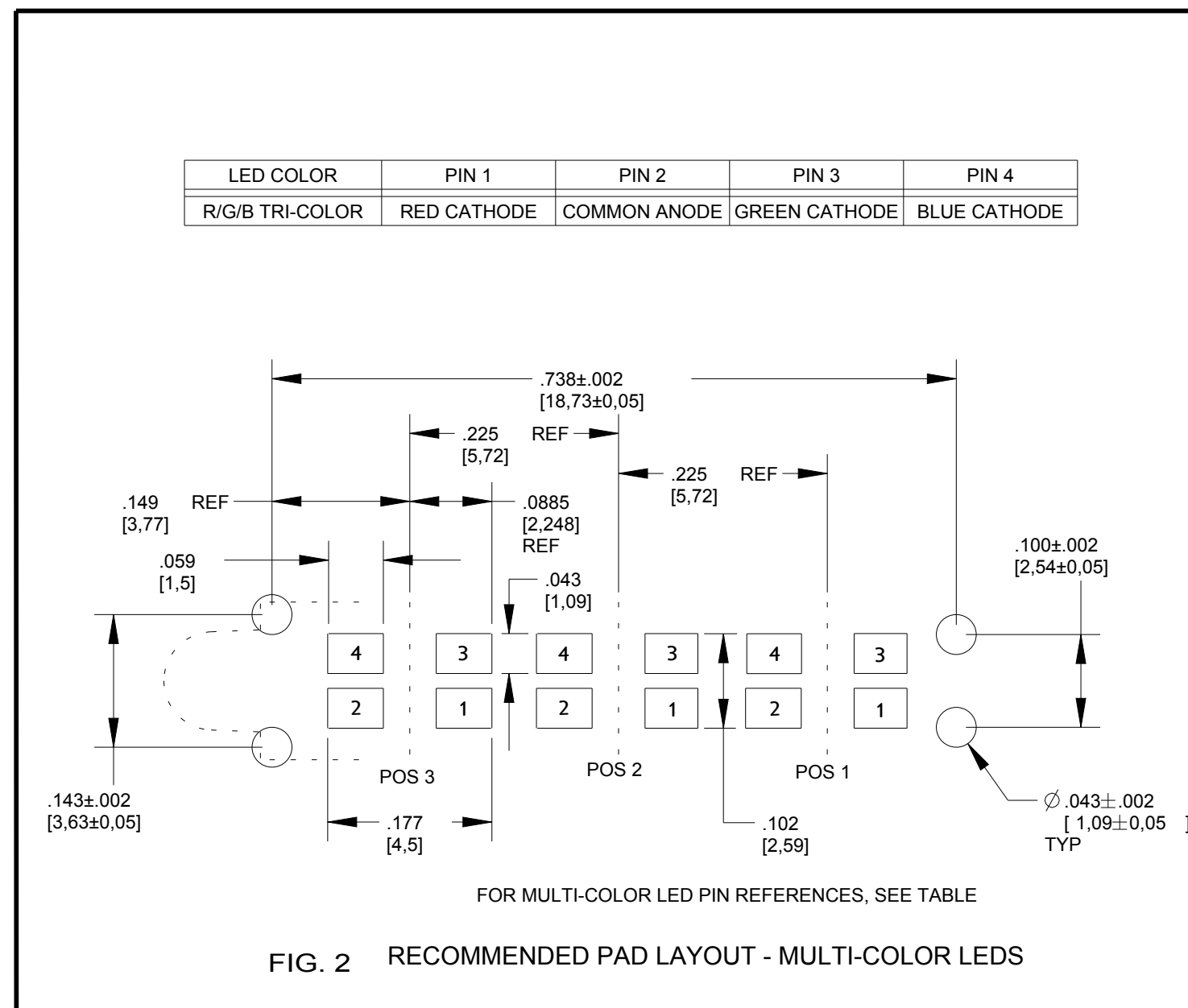


OPERATING CHARACTERISTICS AT 25 °C AMBIENT - RED/GRN/BLUE TRI-COLOR LED										
COLOR	LUMINOUS INTENSITY (mcd)	TEST CURRENT (mA)	DOMINANT WAVELENGTH (nm)			PEAK WAVELENGTH (nm)		FORWARD VOLTAGE (V)		
			MIN	TYP	MAX	TYP	MAX	TYP	MAX	
RED	53	20		626		635	1.9	2.4		
GREEN	23	20		525		523	3.4	4.1		
BLUE	12	20		470		468	3.4	4.1		

ABSOLUTE MAXIMUM RATINGS AT 25 °C AMBIENT - RED/GRN/BLUE TRI-COLOR LED				
	RED	GREEN	BLUE	UNITS
POWER DISSIPATION	72	120	120	mW
CONTINUOUS FORWARD CURRENT	30	20	20	mA
LINEAR DERATING FROM 80 °C (*BLUE & GREEN FROM 70 °C) 1 CHIP ON	1.00	0.50	0.50	mA/°C
LINEAR DERATING FROM 65 °C (*BLUE & GREEN FROM 50 °C) 3 CHIPS ON	0.75	0.30	0.30	mA/°C
LEAD REFLOW SOLDERING TEMPERATURE (FOR 5 SEC.)	260 °C			
OPERATING TEMPERATURE	-55 TO +100 °C			
STORAGE TEMPERATURE	-55 TO +100 °C			



LED COLOR	PIN 1	PIN 2	PIN 3	PIN 4
R/G/B TRI-COLOR	RED CATHODE	COMMON ANODE	GREEN CATHODE	BLUE CATHODE



- NOTES:
1. PRODUCT P/N'S WITH "F" SUFFIX ENDING ARE RoHS COMPLIANT. LED LEADS ARE PLATED TIN (Sn) WITH NICKEL (Ni) UNDERPLATE ON COPPER (Cu) LEADS.
  2. STORAGE OF TAPED PARTS SHALL NOT EXCEED TWELVE (12) MONTHS AFTER WHICH RE-PACKAGING IS REQUIRED.
  3. FRONT AND REAR TERMINALS (OF EACH LED) OF THE ASSEMBLY TO BE WITHIN .005 COPLANARITY.
  4. A MOISTURE SENSITIVITY LEVEL LABEL PLACED ON BAG.
  5. \*\*\* CAUTION \*\*\* FOR PRODUCTS THAT ARE ESD SENSITIVE, OBSERVE PRECAUTIONS IN HANDLING ELECTROSTATIC SENSITIVE DEVICES. FOR EYE SAFETY DO NOT STARE DIRECTLY INTO THE LIGHT BEAM OF THESE LED DEVICES AT CLOSE RANGE.
  6. THIS PRODUCT IS RoHS COMPLIANT. EACH BAG IS MARKED WITH RoHS COMPLIANT LABEL OR EQUIVALENT MARKINGS. LED MUST BE Pb FREE (RoHS COMPLIANT).
  7. DALIGHT PART NUMBERS: 593-XXXXXX-302NF (STRIP) 593-XXXXXX-313NF (REEL)



**ATTENTION:**  
 OBSERVE PRECAUTIONS FOR HANDLING ELECTROSTATIC SENSITIVE DEVICES

THIS DRAWING AND THE CONTENTS HEREIN ARE CONFIDENTIAL AND THE SOLE PROPERTY OF DALIGHT. REPRODUCTION OF THIS DRAWING OR CONSTRUCTION OF ANY PARTS WITHIN THIS DRAWING ARE FORBIDDEN WITHOUT THE WRITTEN CONSENT OF DALIGHT.		
SCALE: 6.000	DRAWING NUMBER	REV
ALL DIMS IN INCHES (MM)	C-18426	A
TOLERANCES: UNLESS OTHERWISE SPECIFIED	TITLE	
FRACTIONS: ±1/64	TRI-LEVEL PRISM	
DECIMALS (XX): ±.01	MATERIAL	
DECIMALS (XXX): ±.005	RoHS COMPLIANT	
ANGLES: ±3°		
FINISH:	Dialight	1501 ROUTE 34 SOUTH FARMINGDALE, NJ 07727
FSCM 83330	SHEET 1 OF 1	FAMILY TABLE