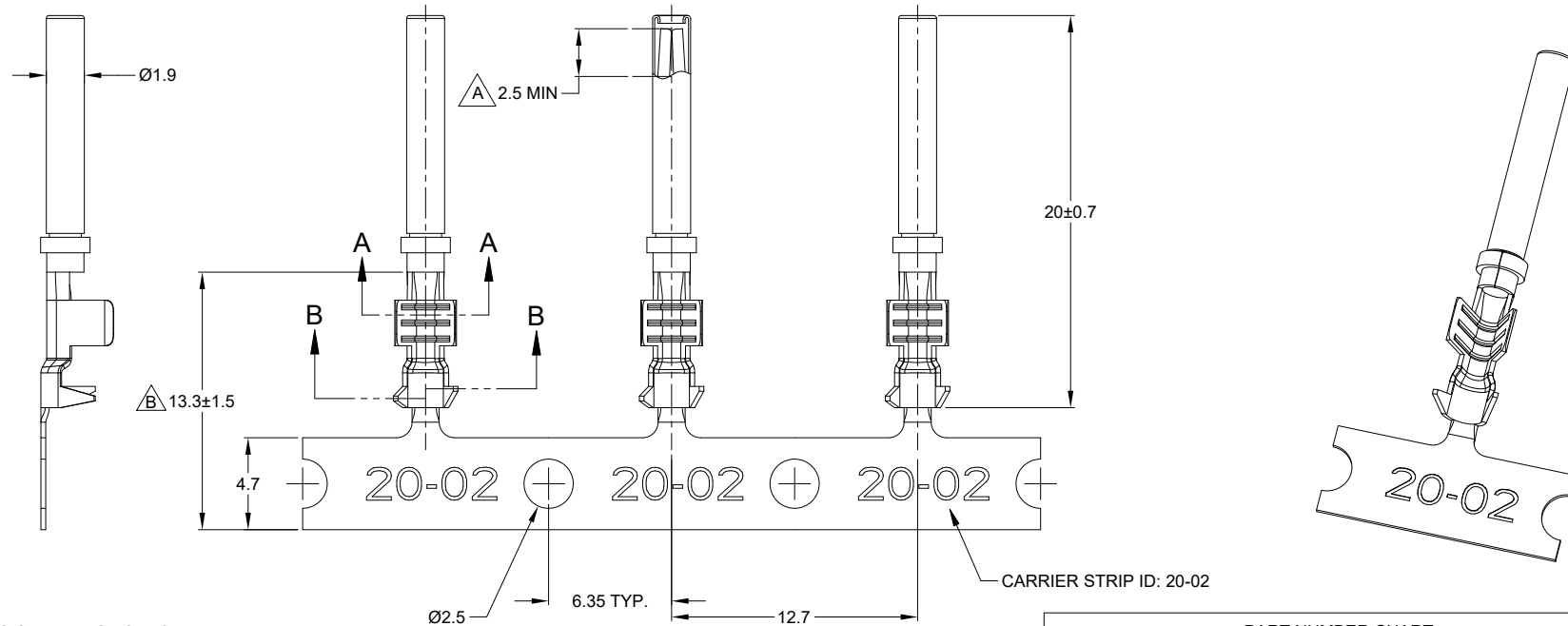
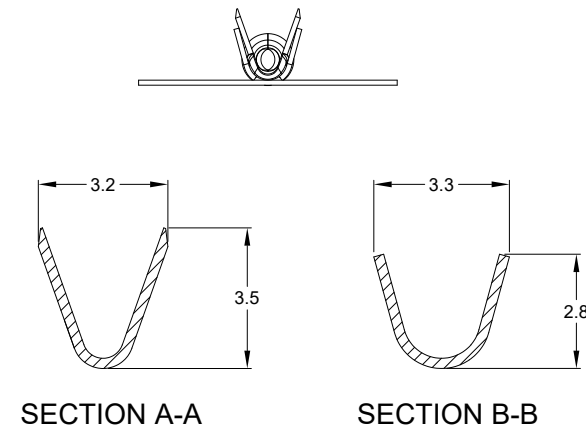


REVISIONS					
REV	ECO	DESCRIPTION	DATE	BY	APPR
A1	--	RELEASE NEW PRODUCT	15/JUL/19	ROOKIE	TOMMY
A2	C1298S	UPDATE PLATING	14/SEP/20	SULLEN	TOMMY



NOTES: UNLESS OTHERWISE SPECIFIED

- MATERIAL: COPPER ALLOY
- PLATING: SEE PART NUMBER CHART
- CONTACT SIZE: 20
- SPECIFICATIONS:
 - CURRENT RATING: 7.5 AMPS
 - CONTACT MILLIVOLT DROP: 100 MILLIVOLT DROP MAXIMUM AT 7.5 AMP TEST CURRENT.
 - RoHS COMPLIANT
- RECOMMENDED WIRE RANGE: 16 - 22 AWG (1.5 - 0.35MM²)
RECOMMENDED INSUL O.D.: 1.30 - 2.16 MM (0.051 - 0.085INCH)
- PACKAGE: 4000PCS/REEL
- AVAILABLE APPLICATORS: MFX-3974-K OR MFX-3974-G
- ALL DIMENSIONS ARE FOR REFERENCE USE ONLY



PART NUMBER CHART		
PLATING	PART NUMBER	PLATING DESCRIPTION
NICKEL	AT62-20-0222	SELECTIVE TIN OVER NICKEL OVERALL IN Δ ZONE
GOLD	AT62-20-0244	SELECTIVE GOLD FLASH OVER NICKEL OVERALL IN Δ ZONE OR ENTIRE CONTACT
TIN	AT62-20-0277	TIN OVER NICKEL OVERALL

SEE PART NUMBER CHART		REF: 1062-20-0222, 1062-20-0244, 1062-20-0277																						
QUANTITY	PART NUMBER	DESCRIPTION	ITEM																					
<table border="1"> <thead> <tr> <th colspan="3">MATERIALS LIST</th> </tr> <tr> <th>SIGNATURES</th> <th colspan="2">DATE</th> </tr> </thead> <tbody> <tr> <td>DRAWN: ROOKIE</td> <td colspan="2">14/SEP/20</td> </tr> <tr> <td>CHECKED: ORION</td> <td colspan="2">15/SEP/20</td> </tr> <tr> <td>ENGINEER:</td> <td colspan="2"></td> </tr> <tr> <td>APPROVAL: TOMMY</td> <td colspan="2">18/SEP/20</td> </tr> <tr> <td>CUSTOMER:</td> <td colspan="2"></td> </tr> </tbody> </table>				MATERIALS LIST			SIGNATURES	DATE		DRAWN: ROOKIE	14/SEP/20		CHECKED: ORION	15/SEP/20		ENGINEER:			APPROVAL: TOMMY	18/SEP/20		CUSTOMER:		
MATERIALS LIST																								
SIGNATURES	DATE																							
DRAWN: ROOKIE	14/SEP/20																							
CHECKED: ORION	15/SEP/20																							
ENGINEER:																								
APPROVAL: TOMMY	18/SEP/20																							
CUSTOMER:																								
<p>UNLESS OTHERWISE SPECIFIED</p> <p>1) All dimensions are in metric(mm).</p> <p>2) Tolerances are as follows:</p> <p>1 PL DEC ±0.30 Fractions ±1/64</p> <p>2 PL DEC ±0.15 Angles ±1°</p> <p>3 PL DEC ±0.08</p> <p>3) Note reference = Δ</p>			<p>Amphenol</p> <p>Sine Systems - www.amphenol-sine.com 44724 Morley Drive Clinton Township, MI 48036</p>																					
<p>CONTACT, SOCKET, STAMPED, SIZE 20, 16-22 AWG, A SERIES</p>			<p>THIS DRAWING IS SUPPLIED FOR INFORMATION ONLY. DESIGN FEATURES, SPECIFICATIONS AND PERFORMANCE DATA SHOWN HEREON ARE THE PROPERTY OF THE AMPHENOL CORPORATION. NO RIGHTS OF REPRODUCTION ARE IMPLIED. ALL DIMENSIONS ARE SUBJECT TO NORMAL MANUFACTURING VARIATIONS.</p>																					
<p>PROCESS SPECIFICATIONS:</p>		<p>SIZE: B C-</p> <p>SCALE: NONE</p>	<p>DWG NO: AT62-20-02XX</p> <p>REVISION: A2</p>																					
<p>NEXT ASSY:</p>		<p>SHEET 1 OF 1</p>	<p>SCALE: NONE</p>																					

TITLE: CONTACT SOCKET, STAMPED, SIZE 20, 16-22 AWG, A SERIES
DWG NO: AT62-20-02XX
REV: A2
SH: 1
OF: 1