

NOTES:

1. MATERIALS AND FINISHES:

- BODY - ZINC DIECAST PER ASTM B86, MATTE TIN PLATING (.000100 THICK MIN.)
- CONTACT - BRASS PER ASTM B16, GOLD PLATING (.000003 THICK MIN.)
- INSULATOR - PTFE PER ASTM D1710, COLOR: NATURAL
- HOUSING - PPA 33%GF, COLOR: PER TABLE

2. ELECTRICAL:

- A. IMPEDANCE: 50 OHM, NOMINAL
- B. FREQUENCY RANGE: DC - 3 GHz
- C. VSWR(RETURN LOSS): 1.2 (20.8 dB), MAX.
- D. D.W.V.: 800 VRMS, MIN.

3. MECHANICAL:

- A. DURABILITY: 100 CYCLES MIN.
- B. TEMPERATURE RANGE: -40° C TO +85° C
- C. SUITABLE FOR PICK AND PLACE AND SOLDER REFLOW PROCESSING PER AMPHENOL SPEC. 349-50712
- D. FAKRA INTERFACE PER DIN 72594-1

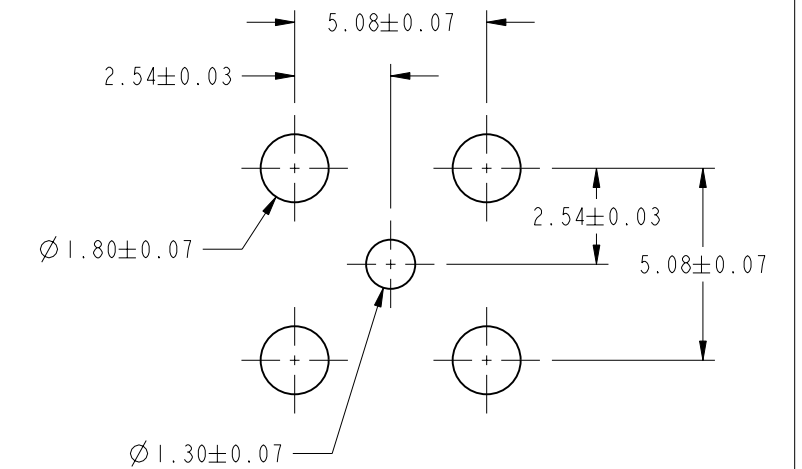
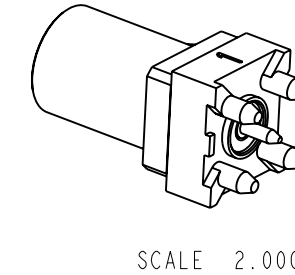
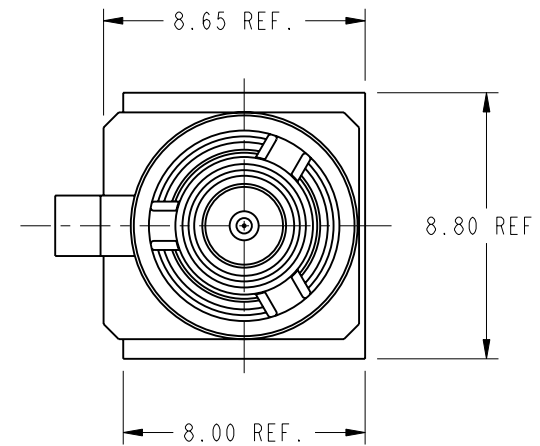
4. PACKAGING:

- A. QUANTITY: TRAY PACK
- B. MARKING: TRAY TO BE MARKED: "AMPHENOL RF, 2FAI-NXSP-PCBB6, AND DATE CODE"

THIRD ANGLE PROJ.

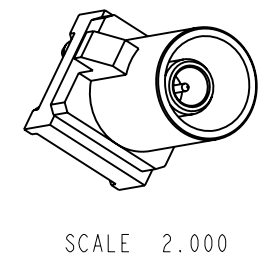
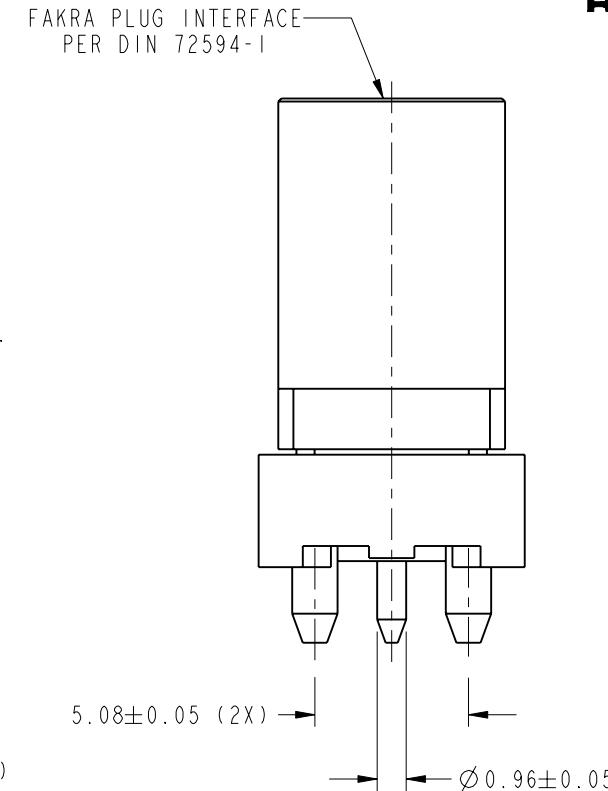
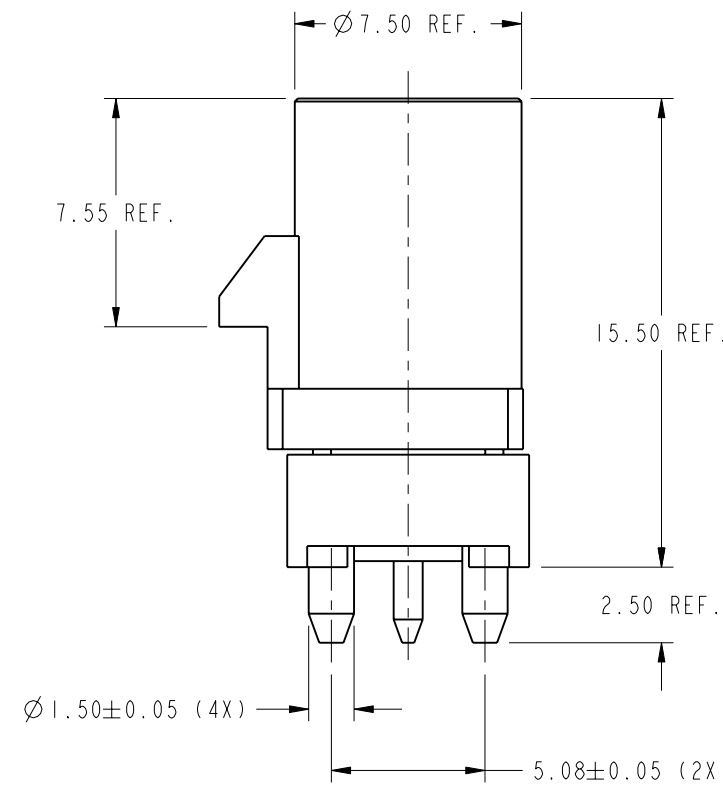
REVISIONS

| REV | DESCRIPTION | DATE | ECO | APPR |
|-----|-----------------|-----------|-------|------|
| A | RELEASE TO MFG. | 03-Jul-14 | 50085 | JY |



RECOMMENDED PCB LAYOUT

CONFIGURATION CONTROL:
NO CHANGES PERMITTED TO DRAWING WITHOUT PPAP QUALIFIED CUSTOMER APPROVAL



CUSTOMER OUTLINE DRAWING

ALL OTHER SHEETS ARE FOR INTERNAL USE ONLY

| CODING | PART NUMBER & DRAWING NUMBER | COLOR | RAL NO. |
|--------|------------------------------|----------------|---------|
| A | 2FAI-NASP-PCBB6 | JET BLACK | 9005 |
| B | 2FAI-NBSP-PCBB6 | CREAM | 9001 |
| C | 2FAI-NCSP-PCBB6 | SIGNAL BLUE | 5005 |
| D | 2FAI-NDSP-PCBB6 | CLARET VIOLET | 4004 |
| E | 2FAI-NESP-PCBB6 | LEAF GREEN | 6002 |
| F | 2FAI-NFSP-PCBB6 | NUT BROWN | 8011 |
| G | 2FAI-NGSP-PCBB6 | BLUE GREY | 7031 |
| H | 2FAI-NHSP-PCBB6 | HEATHER VIOLET | 4003 |
| I | 2FAI-NISP-PCBB6 | BEIGE | 1001 |
| K | 2FAI-NKSP-PCBB6 | CURRY | 1027 |
| L | 2FAI-NLSP-PCBB6 | CARMINE RED | 3002 |
| M | 2FAI-NMSP-PCBB6 | PASTEL ORANGE | 2003 |
| N | 2FAI-NNSP-PCBB6 | PASTEL GREEN | 6019 |
| Z | 2FAI-NZSP-PCBB6 | WATER BLUE | 5021 |

UNLESS OTHERWISE SPECIFIED, DIMENSIONS ARE IN METRIC AND TOLERANCES ARE:
 <0.5mm ±0.05mm 0.5 - 6mm ±0.1mm 6 - 30mm ±0.2mm 30 - 120mm ±0.3mm ANGLES ±1°

NOTICE - These drawings, specifications, or other data (1) are, and remain the property of Amphenol corp. (2) must be returned upon request; and (3) are confidential and not to be disclosed to any person other than those to whom they are given by Amphenol Corp. the finishing of these drawings, specifications, or other data by Amphenol Corp., or to any other person to anyone for any purpose is not to be regarded by implication or otherwise in any manner licensing, granting rights to permitting such holder or any other person to manufacture, use or sell any product, process or design, patented or otherwise, that may in any way be related to or disclosed by said drawings, specifications, or other data.

| | | | | |
|---|-------------------|----------------|-------------------------|--|
| MATERIAL | DRAWN H. CHEN | DATE 03-Jul-14 | TITLE FAKRA PCB PLUG | Amphenol RF Danbury CT USA, Tainan, Taiwan, Shenzhen, China www.amphenolrf.com |
| REFERENCE EAR05758 AND 2FAI-NXSP-PCBS7 | ENGINEER J. YANG | DATE 03-Jul-14 | | |
| CONFIGURATION LEVEL: | APPROVED S. HSIEH | DATE 03-Jul-14 | SCALE: 4.0:1.0 | SHEET 2 OF 2 |
| FINISH | CAD FILE | | DWG SIZE B | REV A |
| | | | | DRAWING NO. 2FAI-NXSP-PCBB6 |
| | | | | ITEM NO. 2FAI-NXSP-PCBB6 |
| | | | | PART NO. 2FAI-NXSP-PCBB6 |