



## AOPS-300

## 300W Power Supply



### FEATURES:

- Parallel or Series Operations available
- Smaller Package
- **Warranty: 5 years**
- Over voltage protection
- Over current protection



MODEL/CHANNEL		Unit	AOPS300-3.3	AOPS300-5	AOPS300-12	
OUTPUT	Norminal Voltage	V	3.3	5	12	
	Setting Voltage Range	V	3.26~3.33	4.95~5.05	11.88~12.12	
	Current	A	55	55	26	
	Line Regulations	mV	25	25	60	
	Load Regulations	mV	50	50	120	
	Temperature Drift	mV	50	75	180	
	Ripple Max.	mV	80	80	120	
	Ripple & Noise Max.	mV	120	120	150	
Efficiency	110V Typ. 220V	%	70	78	80	
MODEL/CHANNEL		Unit	AOPS300-15	AOPS300-24	AOPS300-48	
OUTPUT	Norminal Voltage	V	15	24	48	
	Setting Voltage Range	V	14.85~15.15	23.76~24.24	47.52~48.48	
	Current	A	21	13	6.7	
	Line Regulations	mV	75	120	240	
	Load Regulations	mV	150	240	480	
	Temperature Drift	mV	225	360	720	
	Ripple Max.	mV	120	120	150	
	Ripple & Noise Max.	mV	150	150	250	
	Efficiency	110V Typ. 220V	%	83	84	85
	Turn-on Time max	ms	500 (AC IN 85V, Io=100%)			
Hold-up Time Typ.	ms	17 (AC IN 85V, Io=100%)				





## AOPS-300

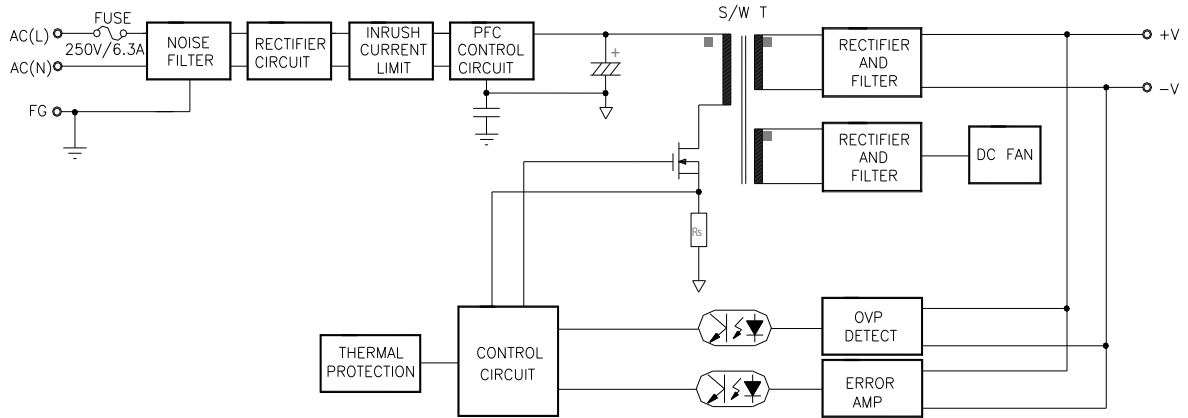
## 300W Power Supply

MODEL/CHANNEL		Unit	AOPS300-3.3	AOPS300-5	AOPS300-12
<b>INPUT</b>	Current	110V 220V	A	2.5 1.3	3.6 1.8
	Power factor	110V Typ. 220V	-	0.98 0.92	0.98 0.95
MODEL/CHANNEL		Unit	AOPS300-15	AOPS300-24	AOPS300-48
<b>INPUT</b>	Current	110V 220V	A	3.6 1.8	
	Power factor	110V Typ. 220V	-	0.98 0.95	
	Voltage, Frequency		V	AC100-240(AC85-264), 50/60Hz(47-63) or DC125-370V (Universal Input)	
	Inrush Current	110V Typ. 220V	A	20(Ta=25°C, Cold Start) 40(Ta=25°C, Cold Start)	
	Leakage Current	110V Max. 220V	mA	0.5 1	
	<b>FUNCTION</b>	Over Voltage Protection		V	Works at 115~140% of rating
	Over Current Protection		A	Works at over 110% of rating and recovers automatically	
	Parallel/Series Operation		-	Series operations is possible	
	Cooling / O.T.P		-	Forced Air By Blower Fan / Possible	
<b>ELECTRICAL ISOLATION</b>	(1) Input - Output		-	AC 3KV 1 min, cut-off: 20mA/DC 500V 100°C	
	(2) Input - F.G		-	AC 2KV 1 min, cut-off: 20mA/DC 500V 100°C	
	(3) Output - F.G		-	AC 0.5KV 1 min, cut-off: 100mA/DC 500V 100°C	
<b>Environment</b>	Operating temp. & Humidity		-	- 10~65°C (Required Derating), 20~90% RH (Non Condensing)	
	Storage temp. & Humidity		-	-20~75°C, 20~90% RH (Non Condensing)	
	Vibration		-	10~55Hz at 1G 3 minutes period, 30 minutes along X,Y and Z axis	
	Safety		-	CE, CB, RU	
	Conducted Emission		-	Complied with FCC part 15, VCCI-A, CISPR2-A, EN55022-A	
<b>Dimension</b>	Size(LxWxH)/Weight		mm/g	192.5x102x52/980	



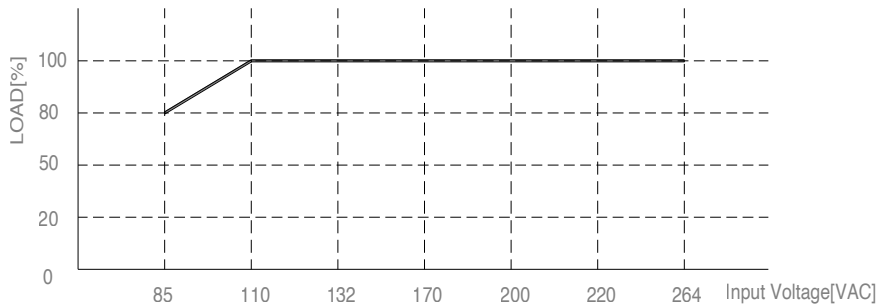


## Block Diagram



## Input Voltage Range

AC100~240V (50/60Hz) AC85~264V (47~63Hz) or  
DC120~370V  
Derating Curve

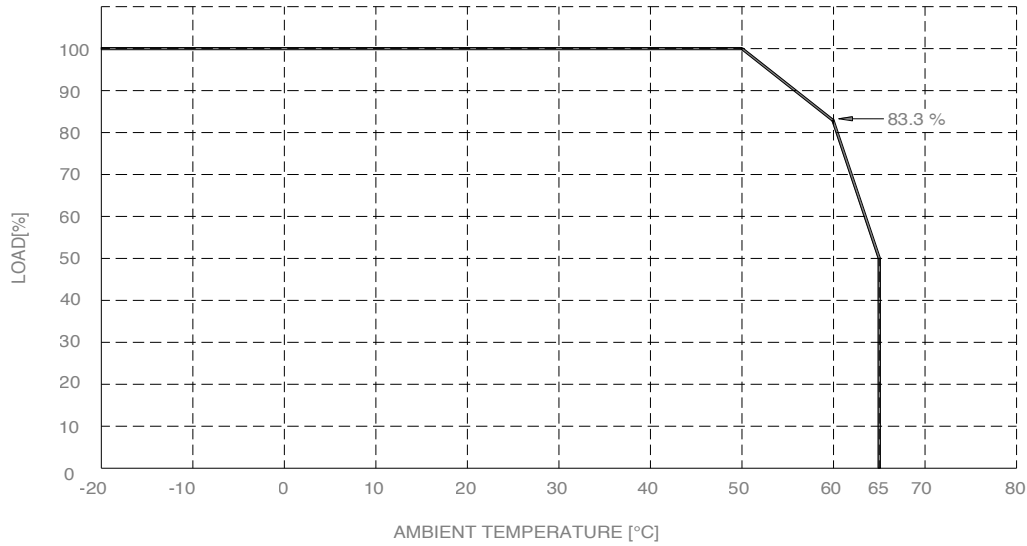


<1. Output Derating VS Input Voltage>



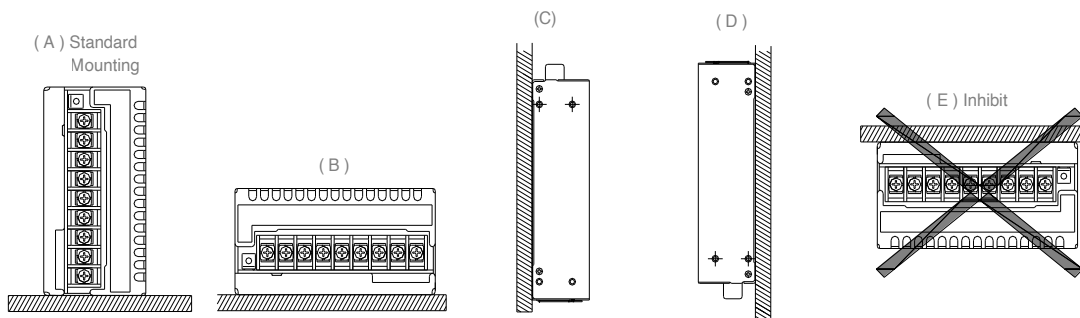


## Derating Curve



<7. Load Derating VS Ambient Temperature>

## Derating Curve





## Mechanical Drawings

