

4

3

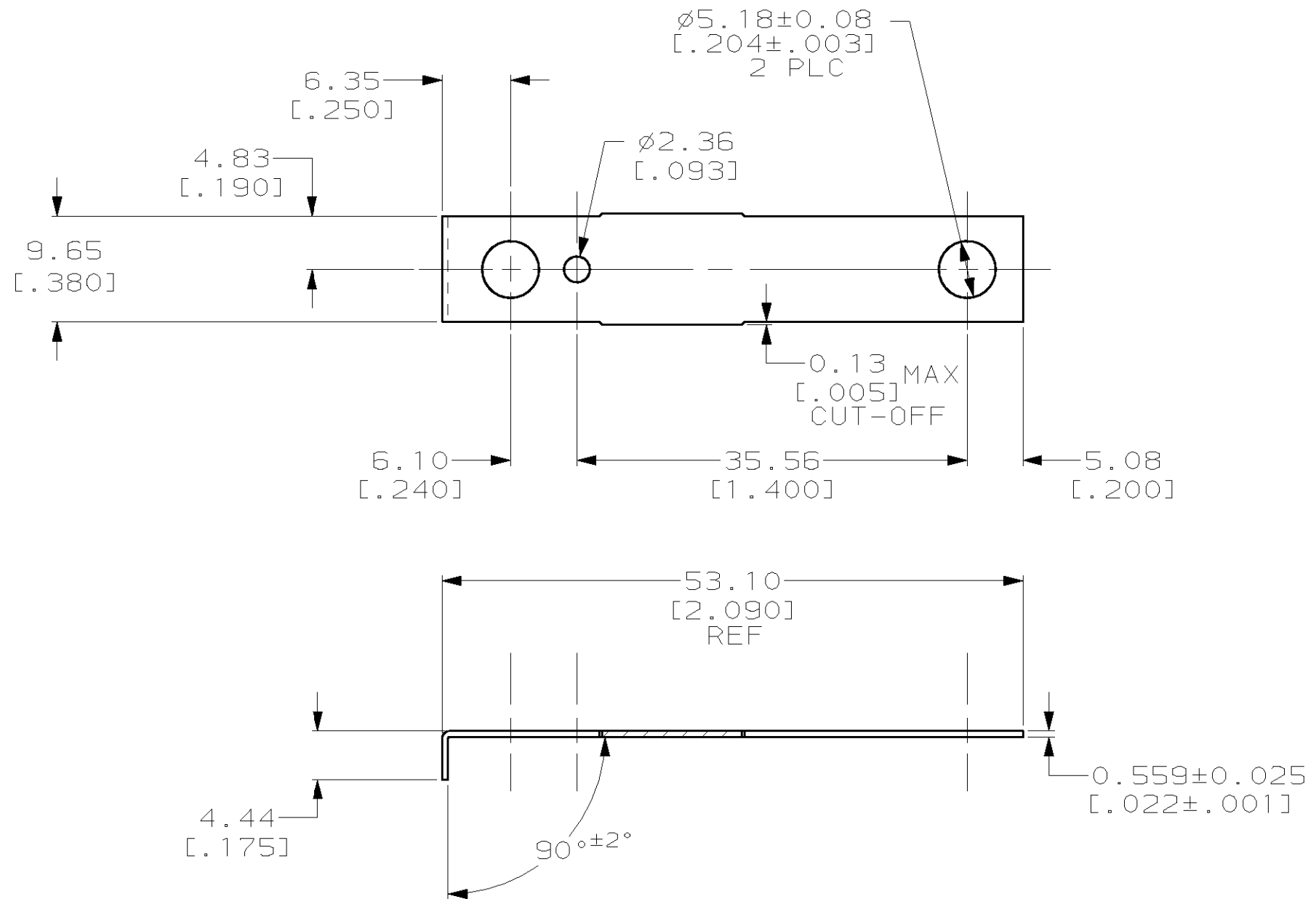
2

1

THIS DRAWING IS UNPUBLISHED. RELEASED FOR PUBLICATION, 19 .
 © COPYRIGHT 19 BY AMP INCORPORATED. ALL RIGHTS RESERVED.

LOC	DIST	REVISIONS				
P	LTR	DESCRIPTION	DATE	DWN	APVD	
AF	50	A	REL PER 063A-0251-99	04NOV99	JR DD	

1 PART SUPPLIED LOOSE PIECE.



1217143-1
PART NUMBER

THIS DRAWING IS A CONTROLLED DOCUMENT.		DWN MICHAEL S. FEHER 23AUG1999	AMP Incorporated Harrisburg, PA 17105-3608	
DIMENSIONS: mm [INCHES]		CHK DONALD DECKER 23AUG1999		
TOLERANCES UNLESS OTHERWISE SPECIFIED:		APVD DONALD DECKER 23AUG1999	NAME GROUNDING STRAP	
0 PLC ±- 1 PLC ±- 2 PLC ±0.25 [.010] 3 PLC ±- 4 PLC ±- ANGLES ±-		PRODUCT SPEC -	RESTRICTED TO -	
MATERIAL ANNEALED COPPER		FINISH -	APPLICATION SPEC -	SCALE 2:1
		WEIGHT -	SIZE A3	CAGE CODE 00779
		CUSTOMER DRAWING	DRAWING NO C- 1217143	SHEET 1 OF 1
			REV A	