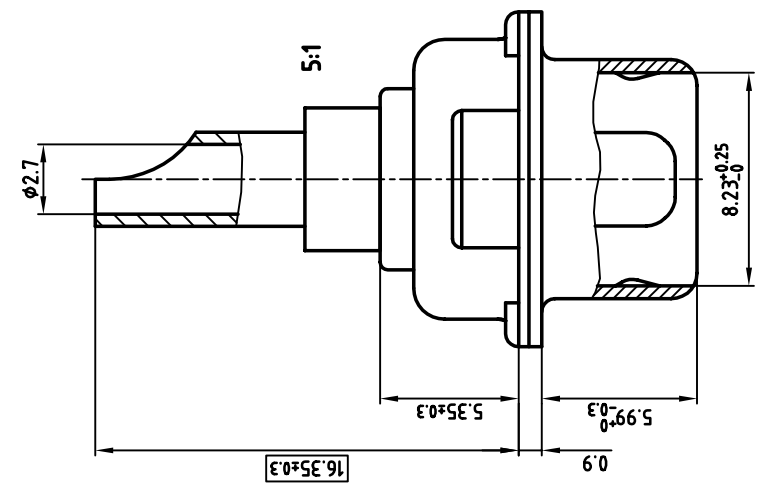


used for: D-SUB COMBINATION



- NOTES:**
- METALSHELLS: STEEL; min. 320µ" TIN
 - INSULATORS: PBT GF UL 94 V-0, GREEN
 - HIGH POWER CONTACTS 20A: COPPER ALLOY
 - PLATING: min. 30µ" HARD GOLD OVER min. 50µ" NICKEL
 - SOLDER CUP ACCEPTS CABLE AWG 12-14
 - THREADED INSERT: COPPER ALLOY; min. 200µ" TIN over 80µ" NICKEL
 - COLLAR: COPPER ALLOY; min. 200µ" TIN over 80µ" NICKEL
 - MAXIMUM TORQUE VALUE FOR THREAD: 6" LBS
 - [] = CRITICAL DIMENSION: SPC

tolerance		scale: 2:1 (5:1)	
material:		SEE NOTES	
title:		D-SUB COMBINATION MALE	
2000 date		5W5P	
drawn 27.11. Parei		with threaded insert	
appd. 27.11. Schrader		AutoCAD 2000	
norm		DIN-A	
e-old		13K1A4-12A	
rev. description		dwg no: 3	
name		sh: 1/1	
date		product no: 3005W5PXX42A30X	

THIS DRAWING MAY NOT BE COPIED OR REPRODUCED IN ANY WAY, AND MAY NOT BE PASSED ON TO A THIRD PARTY WITHOUT WRITTEN PERMISSION. OWNERSHIP AND COPYRIGHT OF CONEC GMBH DO NOT ALTER CAD DRAWING BY HAND

