

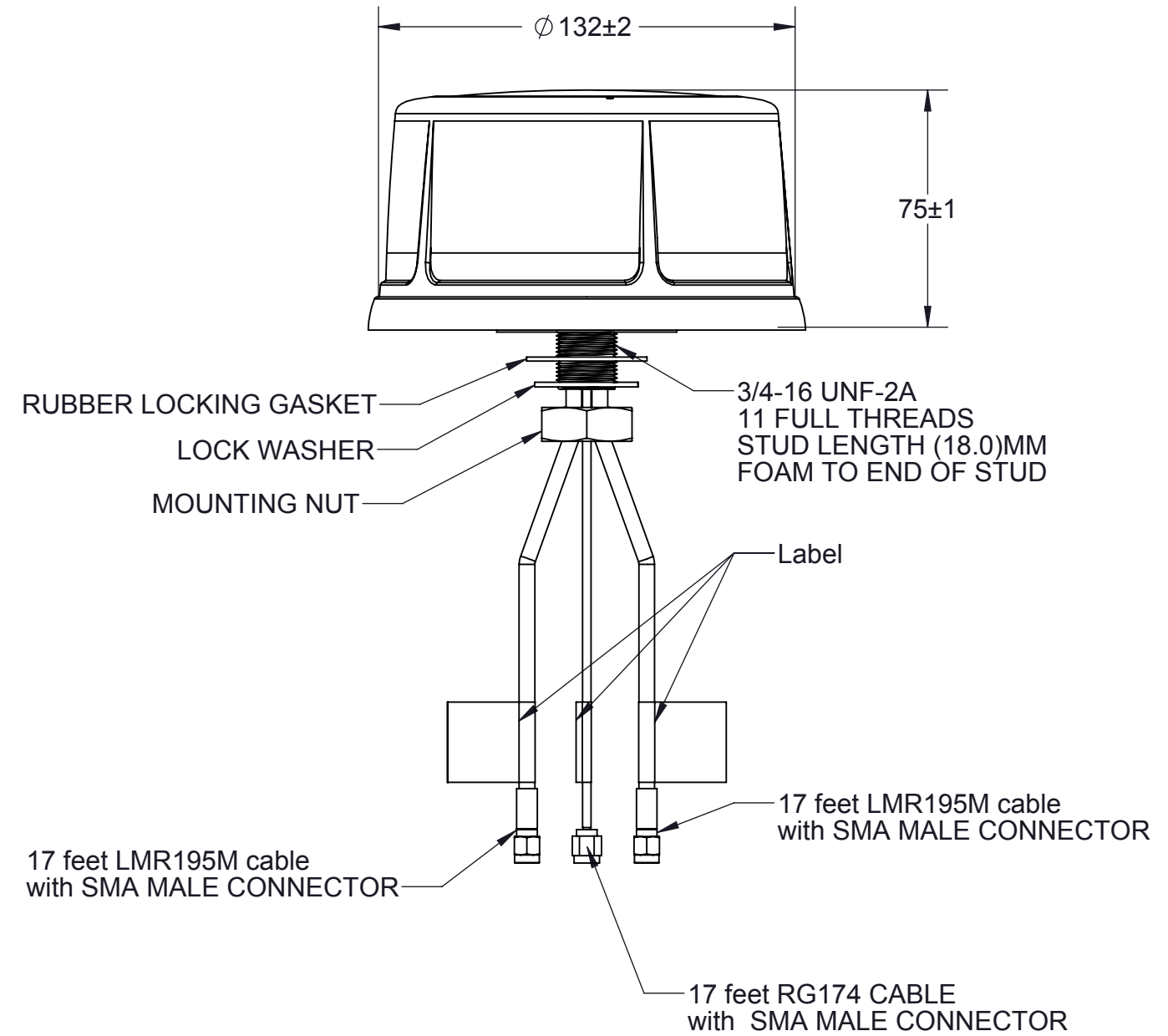
PARAMETER	SPECIFICATION
Model	Disk Puck 3Ports 4G GNSS (VLT69273B2NJ-518A / VLT69273W2NJ-518A)
Port Configuration	LTE/4G
Frequency (MHz)	698-960; 1710-2700
Gain (dBi)	1.8 (typical), 3.3 (max) @ 698-806 MHz
	2 (typical), 2.3 (max) @ 824-894 MHz
	2.4 (typical), 2.7 (max) @ 880-960 MHz
	4 (typical), 4.6 (max) @ 1710-1880 MHz
	4 (typical), 4.8 (max) @ 1850-1990 MHz
	4.5 (typical), 5 (max) @ 1910-2170 MHz
	4.5 (typical), 4.9 (max) @ 2300-2500 MHz
	5.1 (typical), 5.7 (max) @ 2500-2700 MHz (measured on 1ft (308.4mm) dia. ground plane with 1ft (308.4mm) of cable)
Number of Ports:	2 Ports
Port to Port Isolation (dB)	> 15 dB @ 698-960 MHz; >20 dB @ 1710-2700 MHz
Nominal Impedance	50 Ohms
Polarization	Vertical Linear
Azimuth Beam Width	Omnidirectional
VSWR	2 : 1 @ 698-960MHz
	2 : 1 @ 1710-2700MHz (measured on 1ft (304.8mm) dia. ground plane with 17ft (5181.6mm) of cable)
Power Input (Max.)	50 Watts (ambient temp of 25°C (77°F))
Amplifier Gain	N/A
DC Current	N/A
DC Voltage	N/A
Noise Figure	N/A
Operating Temperature Range	-30°C ~ +70°C (-22°F ~ +158°F)
Cable	LMR195M
Connector	SMA-male
Exposed Cable length	17ft (5181.6mm)
Weight	approximately 0.75kg (1.65lb)
Radome	White
Dimensions	Ø132mm (dia.) x 75mm (H) (Ø5.197" (dia.) x 2.953" (H))
RoHs	Compliant
SPEC	IP 67
Base plate material	PC, UL94-V0, UV STABLE

GNSS ANTENNA SPECIFICATION

PARAMETER	SPECIFICATION		
Frequency of Operation (MHz)	1559 - 1606		
Band	BEIDOU	GPS	GLONASS
Frequency Band (MHz)	1561.098 ±2.046	1575.42 ±1.023	1602 ±5
Antenna Gain (dBi)	3.9	4.9	2.5
LNA Gain Typ. @ room temp. (dBi)	28±3		
Noise Figure @ room temp., Max (dB)	≤ 2.5 @ 1575 MHz		
Max VSWR @ room temp.	≤ 2.0		
Polarization	RHCP		
Nominal Impedance	50 Ω		
DC Voltage (Vdc)	3.3		
Operating Supply Voltage (Vdc)	2.5 - 7.0		
Current Consumption, Max @ room temp (mA)	20		
Out-of-band Signal Rejection Min @ room temp (dBc)	> 88	> 84	> 86
Input Max Power (dBm)	-33		
Cable Type	RG174		
Cable length, cm	518		
Connector	SMA, Male		

THIS DRAWING IS UNPUBLISHED.	RELEASED FOR PUBLICATION	- , - .
© Copyright 2022 TE Connectivity Ltd.	ALL RIGHTS RESERVED.	

REVISIONS					
REV.	ECN#	ZONE	DESCRIPTION	CHANGED BY/DATE	APPROVED BY/DATE
F01	ECO-20-00208		INITIAL RELEASE	LCTAN 05MAY20	TERENCE 05MAY20



MATERIAL:	THIRD ANGLE PROJECTION		TITLE:	VLT69273x2NJ-518A			
FINISH:	DO NOT SCALE DRAWING						
APPROVALS		INTERPRET DIMENSIONING AND TOLERANCING IN ACCORDANCE WITH ASME Y14.5M-2009 TOLERANCES UNLESS OTHERWISE SPECIFIED DIMENSIONS ARE IN MILLIMETERS ANGLE: ±30' 0 PLACE DECIMAL: ±0.5 1 PLACE DECIMAL: ±0.25 2 PLACE DECIMAL: ±0.13 SURFACE ROUGHNESS 1.6/√	SIZE	DWG. NO.	REV		
DRAWN BY	LCTAN					DATE	05MAY20
ELEC. ENG.	PETER					DATE	05MAY20
MECH. ENG.	WT NG					DATE	05MAY20
MFG./OPS.	GL YEAP	DATE	05MAY20	A3	VLT69273x2NJ-518AMO	F01	
SCALE: 1:2			PREVIOUS#	SHEET 1 OF 1			