

4

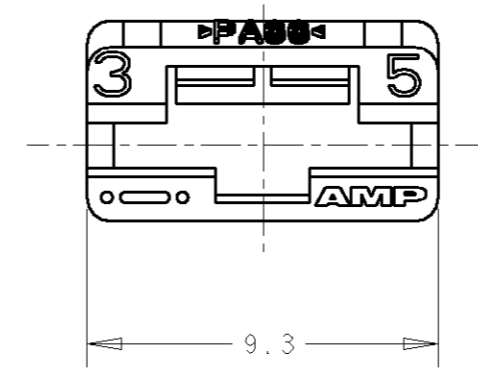
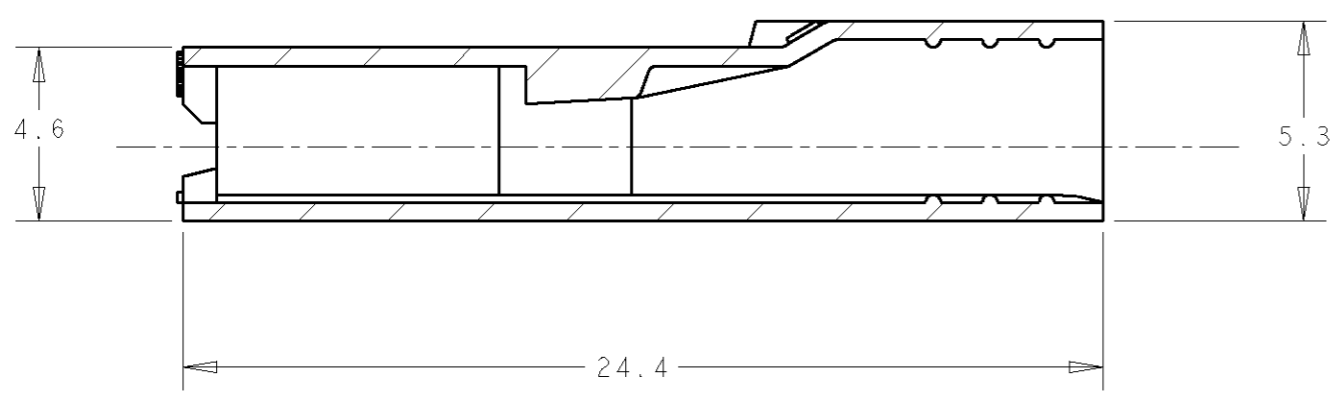
3

2

1

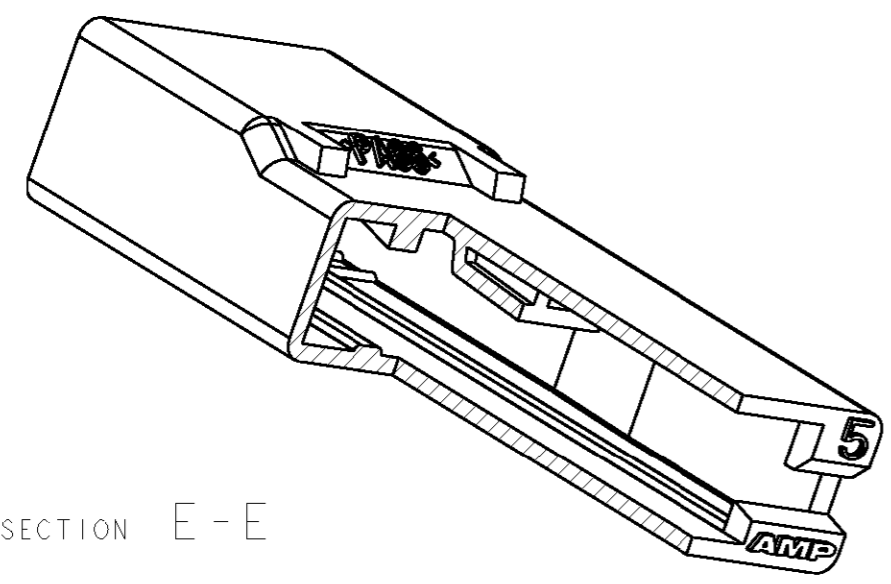
THIS DRAWING IS UNPUBLISHED. PLANO NO PUBLICADO
 RELEASED FOR PUBLICATION LIBRE DE SER PUBLICADO .19
 BY AMP INCORPORATED. ALL RIGHTS RESERVED. TODOS LOS DERECHOS RESERVADOS. LOS PRODUCTOS AMP ESTAN CUBIERTOS POR PATENTES ACTUALES O PENDIENTES

LOC	DIST	REVISIONS					
		P	LTR	DESCRIPTION	DATE	DWN	APVD
				DESCRIPCION	FECHA	DIB	APR
AL	2		A	336369 ERA 98-ES00-11	7JUL1098	JL	AA
			B	REVISED PER ES00-0081-00	31JUN00	JL	LB
			C	REVISED PER ES00-0014-04	2FEB2004	J.L	L.B
			C1	REVISED PER ECO-10-000445	15JAN10	KK	HMR



SECTION A - A

1 OBSOLETE PARTS: OBSOLETE CIS STREAMLINING PER D.RENAUD/D.SINISI



SECTION E - E

	NEGRO/BLACK	NYLON 6/6 V0	3-336369-5
	NATURAL	NYLON 6/6 V0	3-336369-1
1 OBSOLETE	VIOLETA/VIOLET	NYLON 6/6 V2	336369-8
	NEGRO/BLACK	NYLON 6/6 V2	336369-5
1 OBSOLETE	AZUL/BLUE	NYLON 6/6 V2	336369-3
	NATURAL	NYLON 6/6 V2	336369-1
	COLOR	MATERIAL	REFER.

<small>THIS DRAWING IS A CONTROLLED DOCUMENT FOR AMP INCORPORATED. IT IS SUBJECT TO CHANGE AND THE CONTROLLING ENGINEERING ORGANIZATION SHOULD BE CONTACTED FOR THE LATEST REVISION. ESTE PLANO ES UN DOCUMENTO CONTROLADO DE AMP INCORPORATED Y PUEDE SER MODIFICADO. PARA LA ULTIMA REVISION, CONTACTAR CON LA ORGANIZACION DE CONTROL DE INGENIERIA.</small>		DWN /DIB J.LAZARO /JUL98 CHK /COMP A.ALONSO /JUL98 APVD /APR --	AMP AMP ESPAÑOLA, S.A. BARCELONA. SPAIN.
DIMENSIONS: DIMENSIONES mm	TOLERANCES UNLESS OTHERWISE SPECIFIED: TOLERANCIAS POR OMISION 0 PLC /LUG ± - 1 PLC /LUG ± 0.3 2 PLC /LUG ± -- 3 PLC /LUG ± -- 4 PLC /LUG ± -- ANGLES /ANGULOS ± 0°30'	PRODUCT SPEC ESPEC PRODUCTO 108-22033 APPLICATION SPEC ESPEC APLICACION -	NAME TITULO HOUSING FOR 6,35 SRS. FASTON RECEP. CAJA IVIA FASTON 6,35 RECEP.
MATERIAL VER TABLA SEE TABLE	FINISH ACABADO VER TABLA SEE TABLE	WEIGHT PESO -	SIZE TAM A3 CAGE CODE CODIGO 00779 DRAWING NO PLANO NO C= 336369
CUSTOMER DRAWING /PLANO DE CLIENTE		SCALE ESCALA 5:1	SHEET HOJA OF DE REV C1