

- NOTES
1. MATERIAL : WAFER : GLASS-FILLED POLYAMIDE, UL94V-0
PIN : BRASS
 2. FINISH - TERMINAL: Sn 2-3 um OVERALL
 3. PRODUCT SPECIFICATION : PS-35507-003
 4. MATING HOUSING : 35507-160*
MATING TERMINAL : 50212-8000
 5. KINK

CKT	CKT NO								
	1	2	3	4	5	N-2	N-1	N	
16	-	A	B	-	-	B	A	-	

LEGEND.

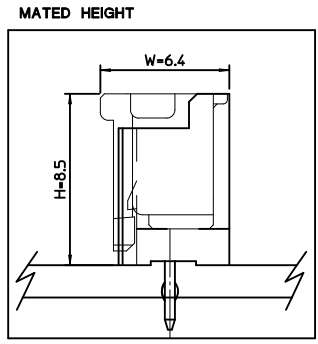
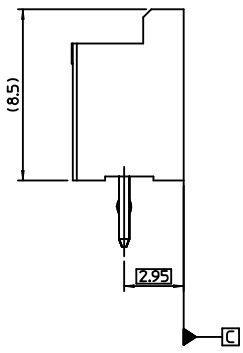
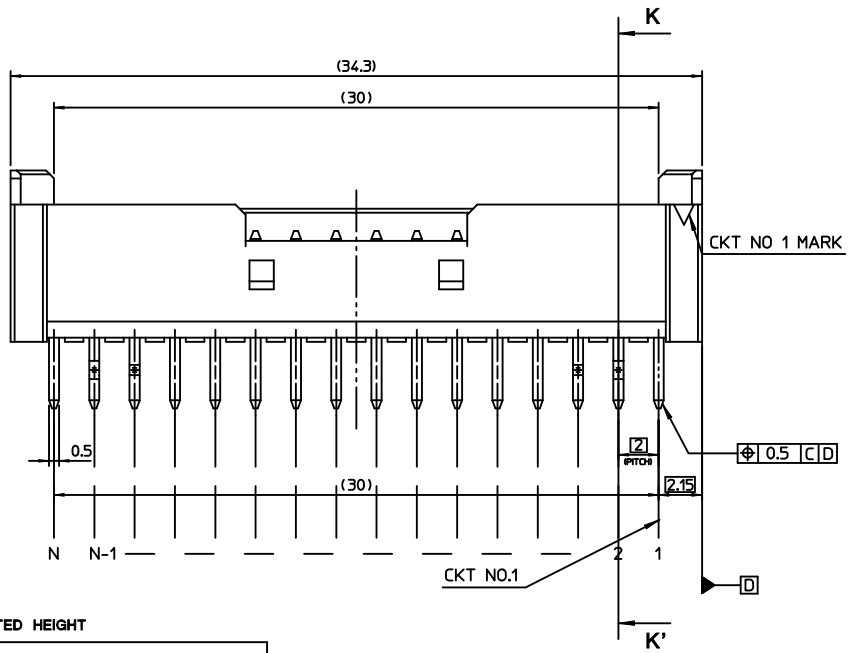
104065-****

CKT NO. _____

FINAL GOOD (BULK) { 5 : SELECTIVE KINK(LEAD FREE)
6 : NONE KINK(LEAD FREE)

SUB ASSY (TUBE) { 7 : SELECTIVE KINK(LEAD FREE)
8 : NONE KINK(LEAD FREE)

KINK



HALOGEN FREE

NER RELEASE
EC NO: KOR2010-0200
DRWN:SMAM 2010/06/28
CHKD:YMOOK IM 2010/06/28
APPR:YUNSIKKIM 2010/06/28

REV	DESCRIPTION
A	

QUALITY SYMBOLS

▽=0
∇=0

GENERAL TOLERANCES (UNLESS SPECIFIED)		mm	INCH	
4 PLACES	±	---	±	---
3 PLACES	±	---	±	---
2 PLACES	±	---	±	---
1 PLACE	±	0.25	±	---

ANGULAR ± 3 °

DRAFT WHERE APPLICABLE
MUST REMAIN
WITHIN DIMENSIONS

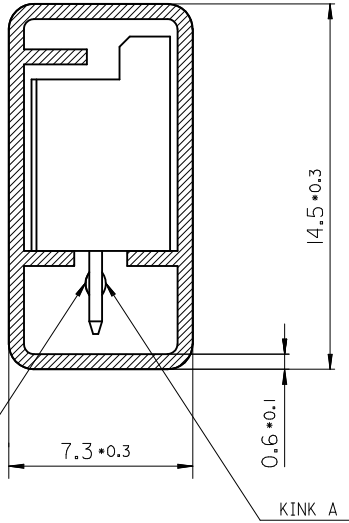
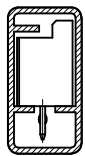
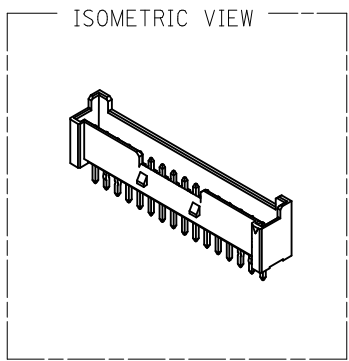
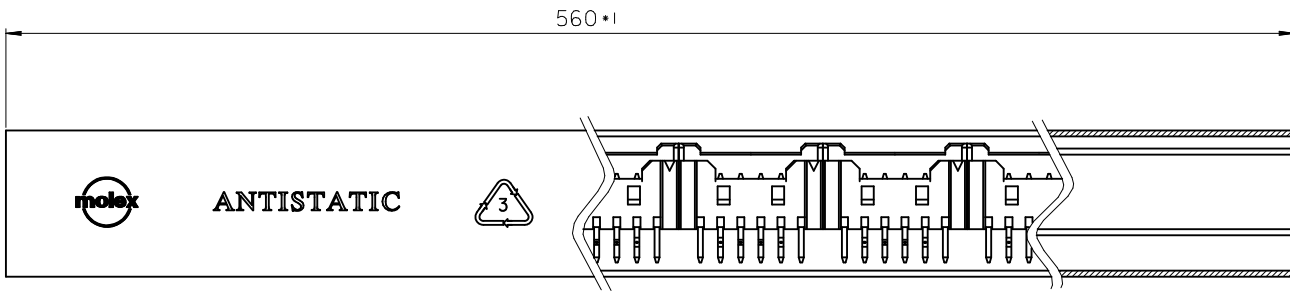
DIMENSION STYLE		SCALE	DESIGN UNITS	THIRD ANGLE PROJECTION
MM ONLY		1:1	METRIC	☉ □
DRAWN BY	DATE	TITLE		
JHLEE05	2009/09/02	NEW 2.0 W/B CONN. WAFER FREE -HALOGEN FREE-		
CHECKED BY	DATE	MOLEX INCORPORATED		
YSOOKIM	2009/09/02	SD-104065-001		
APPROVED BY	DATE	SHEET NO.		
YSOOKIM	2009/09/02	1 OF 1		

MATERIAL NO. SEE TABLE

DOCUMENT NO. SD-104065-001

SIZE A3

THIS DRAWING CONTAINS INFORMATION THAT IS PROPRIETARY TO MOLEX INCORPORATED AND SHOULD NOT BE USED WITHOUT WRITTEN PERMISSION



LEGEND.

104065 - 16 Z *

Final GOOD (Bulk)	5	SELECTIVE KINK	KINK	0	NATURAL	COLOR & PACKING
	6	NONE KINK		6	TUBE PACKING (Natural Color)	
Sub Assy (Tube)	7	SELECTIVE KINK	7	TUBE PACKING (RED Color)		
	8	NONE KINK	8	TUBE PACKING (BLUE Color)		

NOTES

- MATERIAL : TUBE - TRANSLUCENT P.V.C
Wafer - POLYAMIDE, UL94V-0
PIN - BRASS SQ 0.5mm
- BOW(CAMBER) : 1.0mm MAX/Total Length
- DIMENSIONS GIVEN ACROSS CENTER LINES ARE SYMMETRICAL ABOUT THOSE CENTER LINES WITH HALF THE TOTAL LENGTH.
- TOTAL TUBE LENGTH : 560mm ± 1mm
- TWIST : 5° MAX./Total Length
- BURRS : 0.2mm MAX.
- SKREW : PRODUCTS MUST BE FLOWED SMOOTHLY WHEN THIS STICK IS PLACES 30° ANGLE.
- THICKNESS : 0.6mm ± 0.1mm
- ARTWORK : PER E-35900-0434 (SILK SCREEN COLOR : RED)
- APPLICABLE STOPPER(RUBBER) : 35900-0435

KINK TABLE

CKT	CKT NO	1			2			3			4			5			N-2			N-1			N		
16		-	A	B	-	-	-	B	A	-															

15	1040651676	16
QT'y	MATERIAL NO.	CKT

HOLOGEN FREE

<p>NEW RELEASE EC NO: KOR2010-0200 DRWN:SMAM 2010/06/28 CHKD:YSOOKIM 2010/06/28 APPR:YUNSIKKIM 2010/06/28</p>	<p>QUALITY SYMBOLS ▽=0 ◻=0</p>	GENERAL TOLERANCES (UNLESS SPECIFIED)		DIMENSION STYLE		SCALE	DESIGN UNITS		THIRD ANGLE PROJECTION		
				MM ONLY		1:1	METRIC				
				mm	INCH	DRAWN BY	DATE	TITLE			
						JHLEE05	2009/09/02	NEW 2.0 W/B CONN. WAFER ASSY -HALOGEN FREE-			
				4 PLACES ± --- ± ---						<p>MOLEX INCORPORATED</p>	
				3 PLACES ± --- ± ---							
				2 PLACES ± --- ± ---						<p>DOCUMENT NO. SD-104065-002</p>	
				1 PLACE ± 0.25 ± ---							
				ANGULAR ± 3 °						<p>SHEET NO. 1 OF 1</p>	
				DRAFT WHERE APPLICABLE MUST REMAIN WITHIN DIMENSIONS							
				SIZE A3		THIS DRAWING CONTAINS INFORMATION THAT IS PROPRIETARY TO MOLEX INCORPORATED AND SHOULD NOT BE USED WITHOUT WRITTEN PERMISSION					