

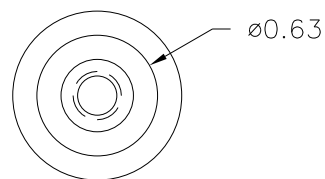
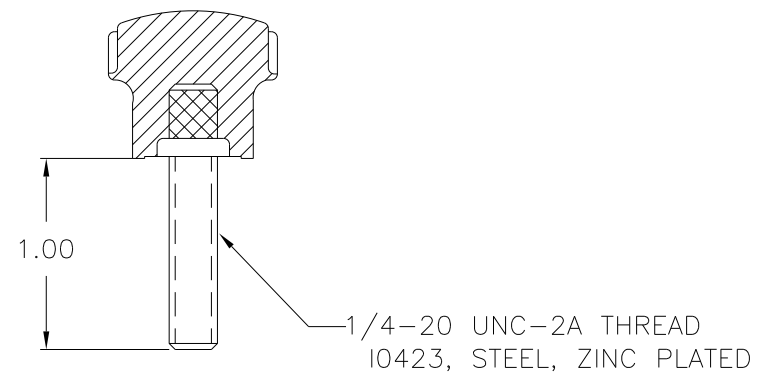
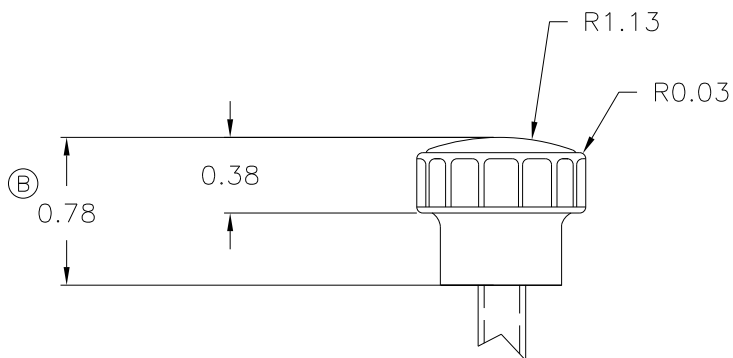
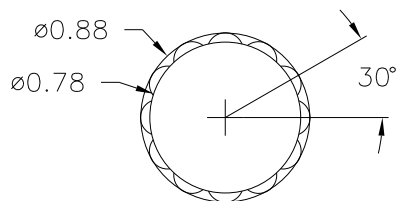
PART NAME: KNOB SCALE: 1:1 DATE: 3/8/93 DR. BY HD

THIS DRAWING IS THE PROPERTY OF DAVIES MOLDING COMPANY, IS SUBMITTED SOLELY AS A DESIGN OR ENGINEERING PROJECT. WE ACCEPT NO RESPONSIBILITY WHATSOEVER FOR THE PRACTICAL APPLICATION OF THE PIECES MADE TO THIS DESIGN.



DESIGNERS & MANUFACTURERS OF KNOBS, HANDLES, CASES & CUSTOM PLASTIC COMPONENTS

P/N	2965MB
M NO.	2965
CHASE	2965
PIN BAR	2965-DX
SHIM	# 8
INSERT	I0423



(A)
MATERIAL: 04311 PHENOLIC (B41)
COLOR: BLACK

TOLERANCES: UNLESS OTHERWISE SPECIFIED	DO NOT SCALE DRAWING			
DECIMALS: X.XXX ± .005 X.XX ± .015	MM: X.XX ± 0.15MM X.X ± 0.4MM	B	WAS 0.76	JAM 10/6/16
		A	WAS #2511 PHENOLIC (B11)	JAM 6/17/08
FRACTIONS ± 1/64	ANG. ± 1°	CHANGES		