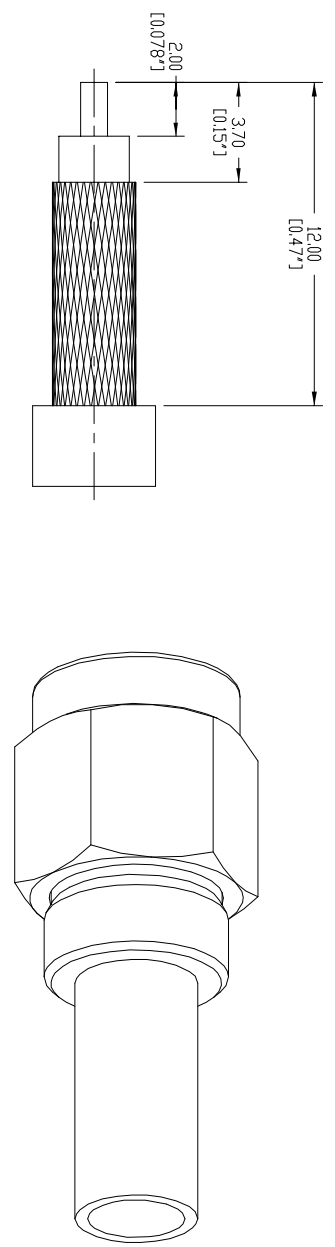


- NOTES:
1. CRIMPED FERRULE HEX CRIMP SIZE 0.213"
 2. CONTACT PIN TO SOLDER
 3. CONTACT RETENTION: 6 LBS.MINIMUM AXIAL FORCE (CAPTIVATED CONTACTS)

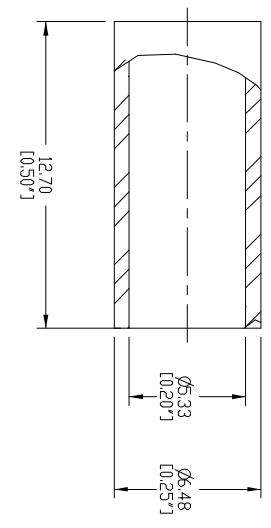
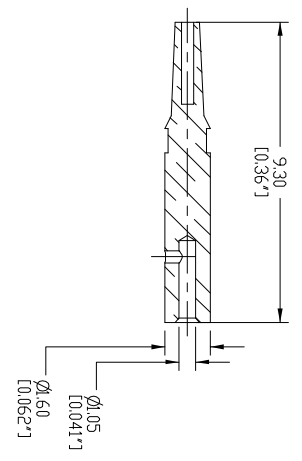
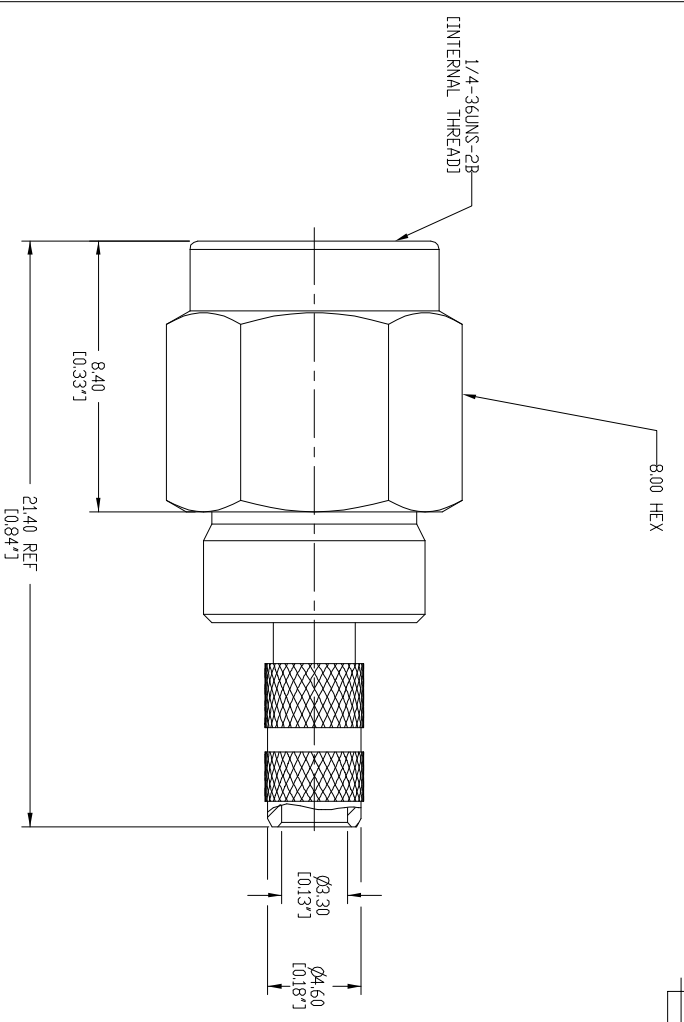
132113RP-10	DRAWING NO.	REV	DESCRIPTION	DATE	ECD	APPR
THIRD ANGLE PROJ		A	RELEASE TO MFG.	24-Mar-11	--	HR

REVISIONS



RECOMMENDED
CABLE STRIPPING DIM'S

SCALE 5.000



GASKET	SILICONE	RED
FERRULE	COPPER	GOLD
COUPLING NUT	BRASS	GOLD
CONTACT PIN	BRCOPPER	GOLD
INSULATOR	TEFLON	NATURAL
BODY	BRASS	GOLD
DESCRIPTION	MATERIAL	FINISH

UNLESS OTHERWISE SPECIFIED, DIMENSIONS ARE IN INCHES AND TOLERANCES ARE:
 2 PLACE DECIMAL 3 PLACE DECIMAL ANGLES
 ± 0.015 (0.381 mm) ± 0.005 (0.127 mm) $\pm 1^\circ$

NOTICE - These drawings, specifications, or other data (1) are, and remain the property of Amphenol Corp. (2) must be returned upon request and (3) are confidential and not to be disclosed to any person other than those to whom they are given by Amphenol Corp. The finishing of these drawings, specifications, or other data is subject to change without notice. Amphenol Corp. does not warrant or accept any liability for errors or omissions in these drawings, specifications, or other data. Amphenol Corp. is not to be held responsible for any damage, loss, or injury to property or equipment, or for any loss of profit, or for any other damage, loss, or injury, resulting from the use of the product process or design, patented or otherwise, that may in any way be related to or disclosed by said drawings, specifications, or other data.

MATERIAL	REFERENCE
TASK# 589	

DRAWN	DATE	TITLE
HARI R	28-Mar-11	SMA REVERSE PLDARITY
ENGINEER	DATE	CRIMP PLUG
HARI R	28-Mar-11	(FOR RG-58, 141,LMR195)
APPROVED	DATE	
CAD FILE		

DWG SIZE	DRAWING NO.	SCALE:	SHEET	1 OF 1
B	132113RP-10	201		
Amphenol Connex				REV A