

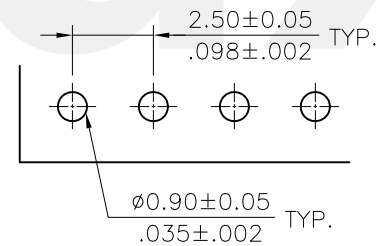
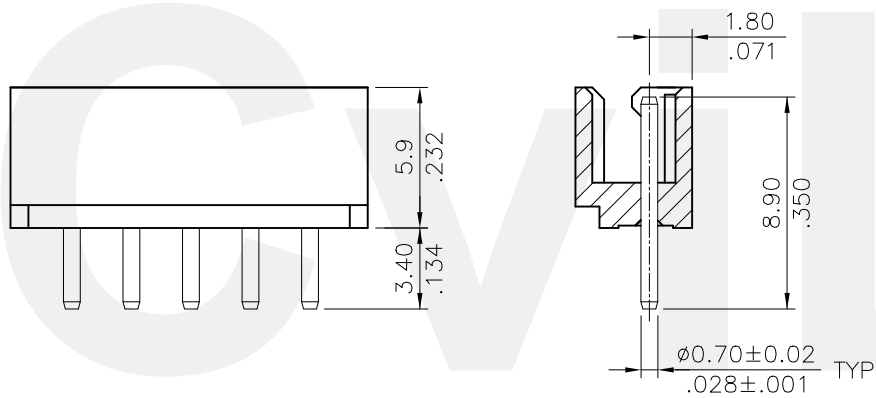
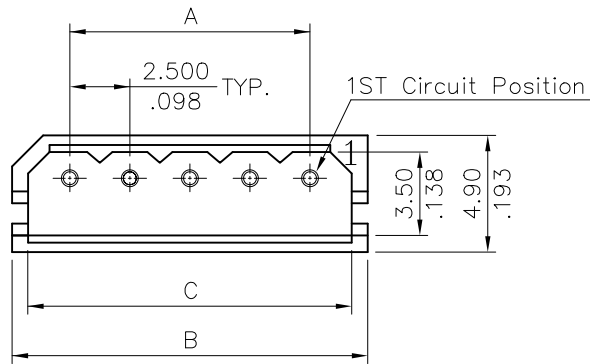
Notes:

- * Insulation: Nylon 6T+30% G.F. UL 94V-0, Color Nature (Halogen-Free)
- * Contact: Brass, round pins
- * For Lead Free Wave flow Process

Ordering Code:

CI25 ** P 1 V 0 0 -NH
 ① ② ③ ④ ⑤ ⑥ ⑦ ⑧

- ① Series No.
- ② No. of Circuits
- ③ Contact type: P= Pin header
- ④ Plating option:
 1= 3.05 μ m(120 μ) Matte Tin over 0.76 μ m(30 μ) Nickel
- ⑤ Tail Style: V= Straight
- ⑥ Color: 0=Nature
- ⑦ Other Option: 0= Standard
- ⑧ -NH= For Lead Free Wave flow Process and Halogen-Free



DIM. A = 2.50 X No. of Spaces
 DIM. B = DIM. A + 5.00
 DIM. C = DIM. A + 3.60
 * Available in 2 through 15 Citcuits

Recommended P.C. Board Layout

Halogen-Free
 Lead Free Process
 RoHS Compliant

| | | | | | | | | | |
|-----|------|------|--------------------|--|--------------------|--------------------------------------|---------------------------------|--|--------------------------------|
| 4 | | | | | | DATE | UNIT: mm / inch | TITLE: 2.50MM(.098") STRAIGHT HEADERS | 瀚荃股份有限公司 CviLux Corporation |
| 3 | | | DRAWN BY: Karen | | 4/23-14' | TOLERANCE UNLESS OTHERWISE SPECIFIED | MATERIAL: | DRAWING NO. CI2531SA PART NO. CI25**P1V00-NH | |
| 2 | | | ENGINEER: Sun | | 4/23-14' | .X \pm 0.30/.012 X' \pm 1" | | | |
| 1 | | | CHECKED BY: Eisley | | 4/23-14' | .XX \pm 0.20/.010 .X' \pm | FINISH: | SCALE 3 / 1 | |
| SYM | NAME | DATE | REVISIONS | | APPROVED BY: David | 4/23-14' | .XXX \pm 0.10/0.04 .XX' \pm | SHEET 1 OF 1 | |