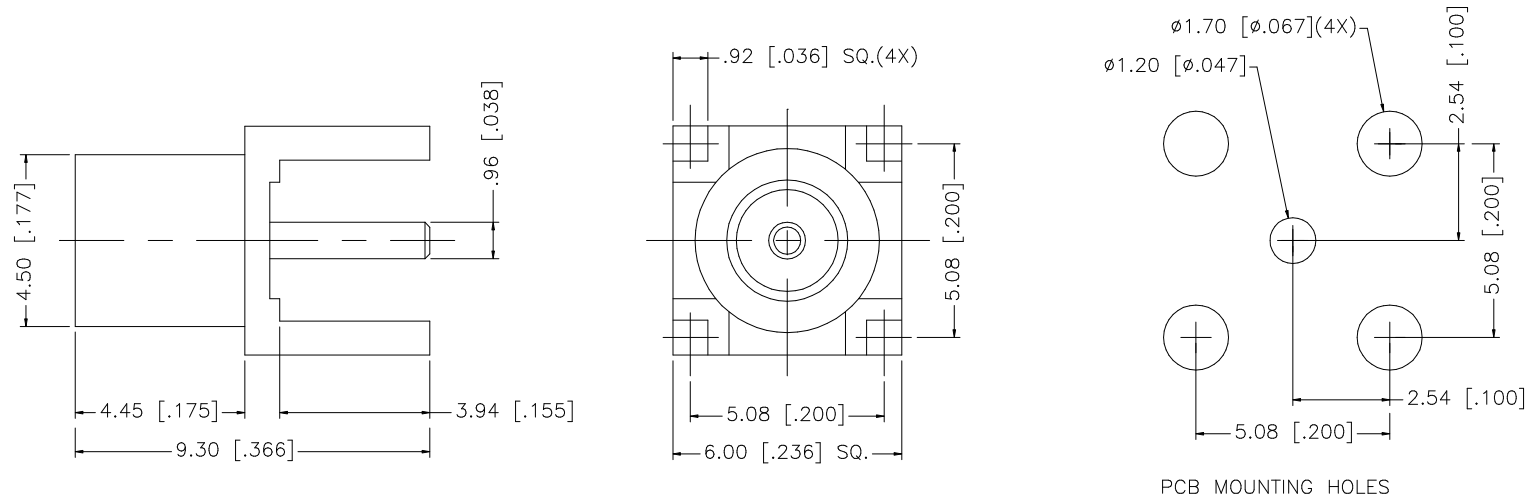


REV.	DATE	DESCRIPTION
A	02/08/03	UPDATE DRAWING FORMAT



PCB MOUNTING HOLES

8					<p>UNLESS OTHERWISE SPECIFIED DIMENSIONS ARE IN MILLIMETERS. DIMENSIONS IN [ ] ARE IN INCHES AND FOR CUSTOMER REFERENCE ONLY.</p> <p>UNLESS OTHERWISE SPECIFIED TOLERANCES FOR MILLIMETERS ARE:  0.5 - 8mm <math>\pm</math> 0.20mm  8 - 30mm <math>\pm</math> 0.40mm  30 - 120mm <math>\pm</math> 0.50mm</p> <p>UNLESS OTHERWISE SPECIFIED TOLERANCES FOR INCHES ARE:  .020 - .315 = <math>\pm</math> 0.007"  .315 - 1.180 = <math>\pm</math> 0.015"  1.180 - 4.724 = <math>\pm</math> 0.020"</p>	APPROVALS	DATE	<h1 style="color: blue;">Amphenol Connex</h1>								
7						DRAWN	G.R.S.					02/08/03				
6						CHECKED			<b>PART DESCRIPTION</b> MCX P.C. BOARD RECEPTACLE JACK (3.94 [.155"] LEGS - SHORT BODY)							
5						ISSUED										
4						SHEET	1 OF 1		<b>PART NO.</b> 252105							
3	CONTACT PIN	BER. COPPER	GOLD	1	CAD FILE			DWG. NO.					252105.DWG	REV.	A	SIZE
2	INSULATOR	TEFLON	NATURAL	1	DO NOT SCALE DRAWING											
1	BODY	BRASS	GOLD	1												