

8

7

6

5

4

3

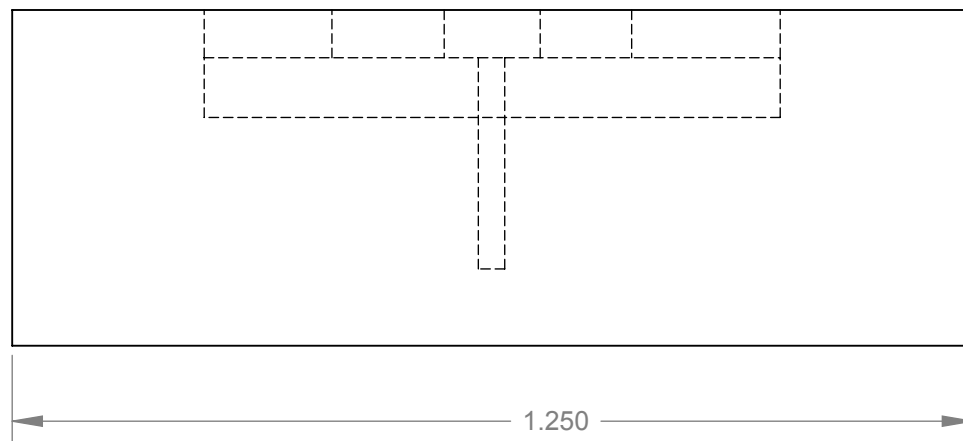
2

1

REVISIONS				
ZONE	REV.	DESCRIPTION	DATE	APPROVED
ALL	A1	ADDED ±.005 TOL. TO .188 DIM.	05/29/80	
	A2	ADDED MATTE FINISH REQUIREMENT TO NOTE 1 & INSPECTION NOTE	09/15/81	

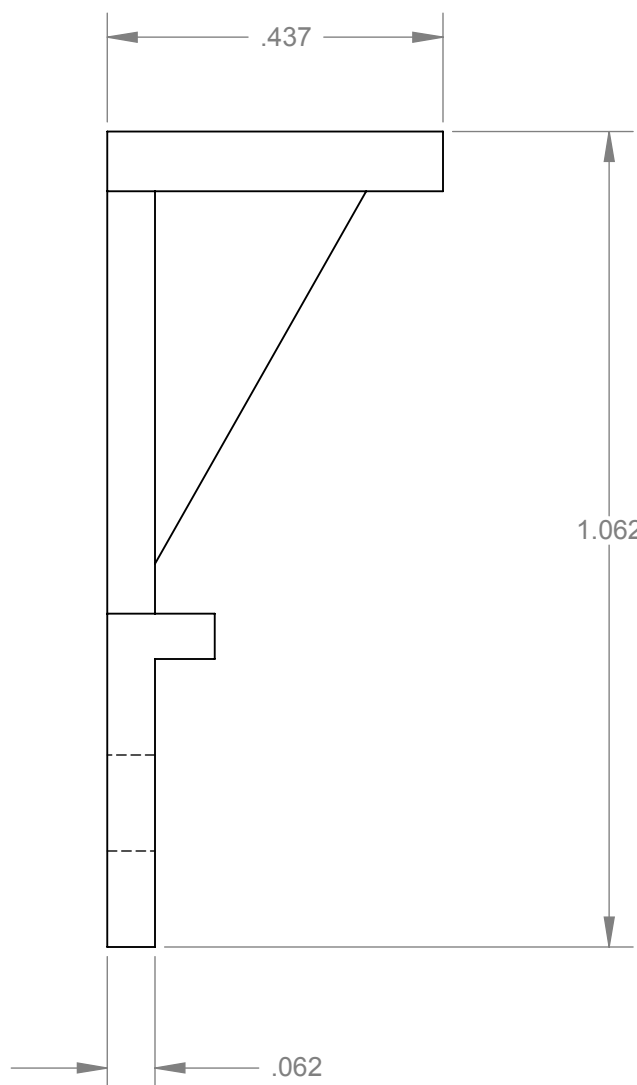
D

D



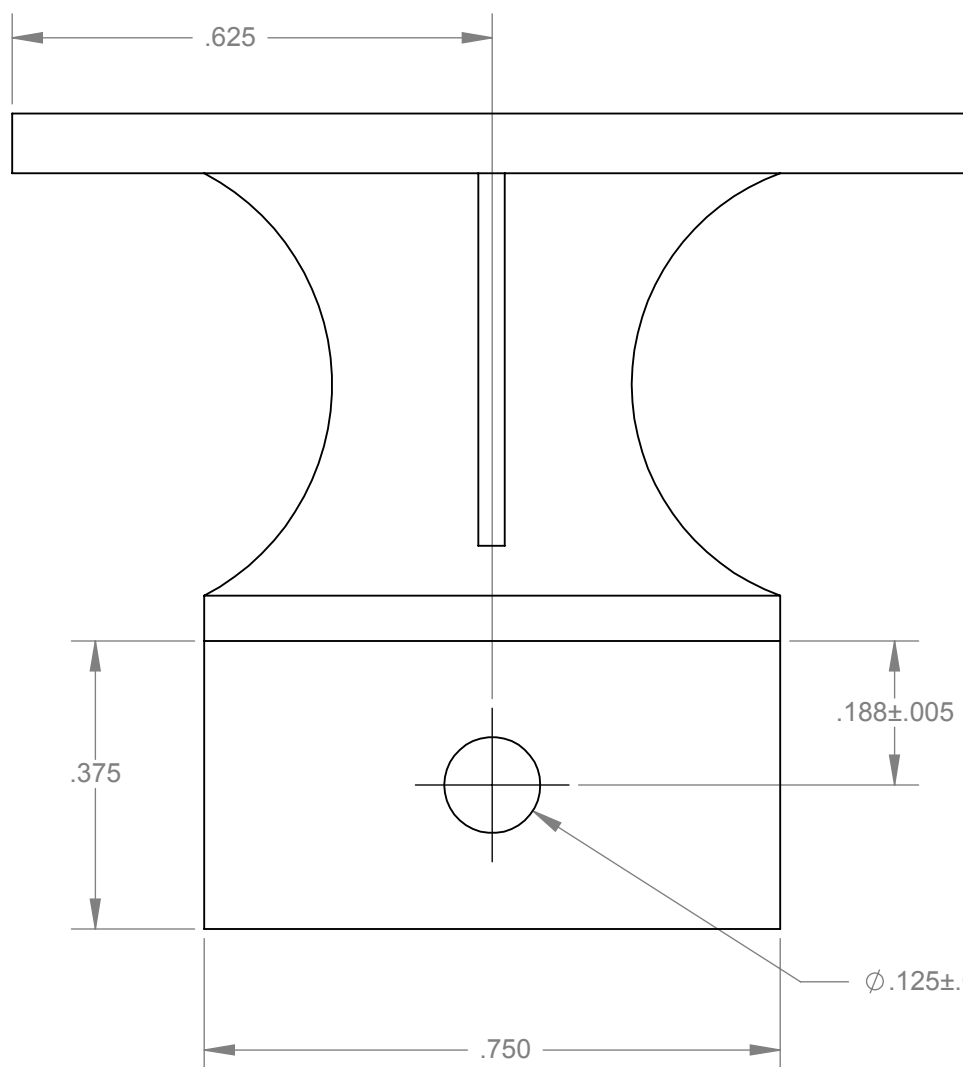
C

C



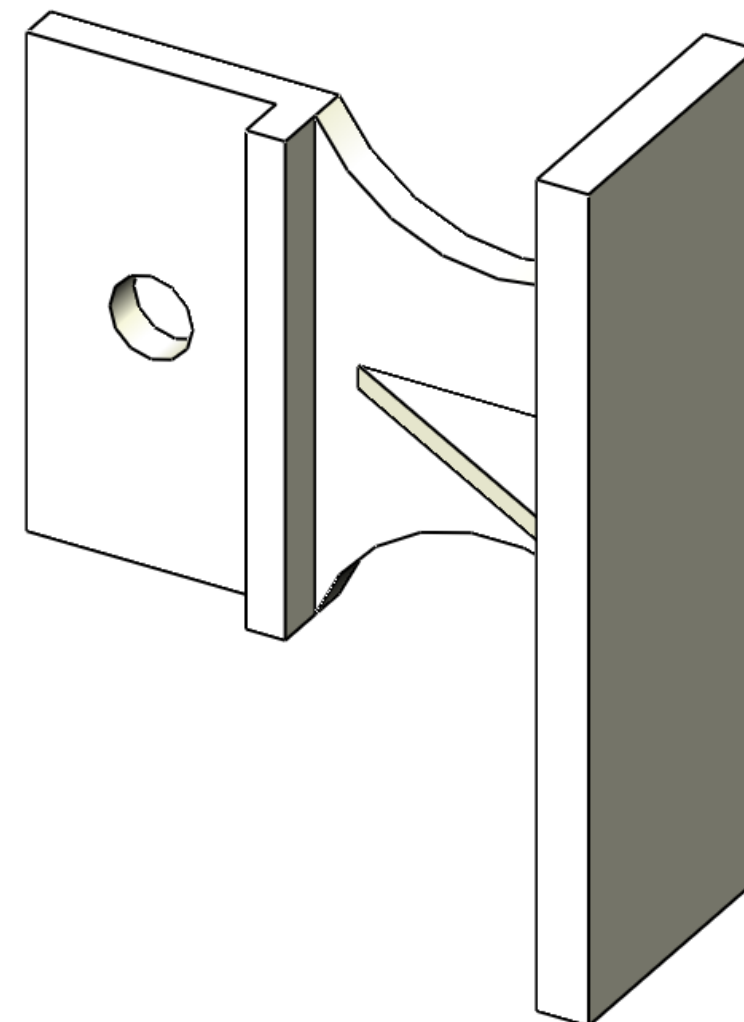
B

B



A

A



2. HA14 INCLUDES : SCREW (P/N# SC4-5#)
 LOCKWASHER (P/N# W4-1#) & NUT (P/N# NT4-2A#)

1. MAT'L : NYLON (MIL-M-20693A)
 MATTE FINISH REQUIRED ON PRINTING SURFACE

NOTES: UNLESS OTHERWISE SPECIFIED.

1. CHECK PER DRAWING DIM. & NOTES
 CRITICAL INSPECTION NOTES

PROPRIETARY AND CONFIDENTIAL
 THE INFORMATION CONTAINED IN THIS DRAWING IS THE SOLE PROPERTY OF VECTOR ELECTRONICS & TECH., INC. ANY REPRODUCTION IN PART OR AS A WHOLE WITHOUT THE WRITTEN PERMISSION OF VECTOR ELECTRONICS & TECH., INC. IS PROHIBITED.

UNLESS OTHERWISE SPECIFIED:	NAME	DATE
DIMENSIONS ARE IN INCHES	DRAWN	TRUSHAR
TOLERANCES:	CHECKED	06/29/07
FRACTIONAL ±	ENG APPR.	
ANGULAR: ± 5°	MFG APPR.	
TWO PLACE DECIMAL ±.03	Q.A.	
THREE PLACE DECIMAL ±.010		
INTERPRET GEOMETRIC TOLERANCING PER:		
MATERIAL <input type="checkbox"/>	THIRD ANGLE PROJECTION	
FINISH <input type="checkbox"/>		
DO NOT SCALE DRAWING		

VECTOR 11115 VANOWEN ST.,
 ELECTRONICS & TECHNOLOGY, INC. NORTH HOLLYWOOD, CA 91605

**HA-14 PULL TYPE
 EJECTOR HANDLE**

SIZE DWG. NO.	REV
B MC 6101-B5.1	A2
SCALE: 4:1	WEIGHT:
	SHEET 1 OF 1

8

7

6

5

4

3

2

1