

# BGS13S2N9

Wideband RF SP3T Switch

## Data Sheet

Revision 1.0 - 2016-02-02

Final

**Edition 2016-02-02**

**Published by Infineon Technologies AG  
81726 Munich, Germany**

**©2016 Infineon Technologies AG  
All Rights Reserved.**

## **LEGAL DISCLAIMER**

The information given in this document shall in no event be regarded as a guarantee of conditions or characteristics. With respect to any examples or hints given herein, any typical values stated herein and/or any information regarding the application of the device, Infineon Technologies hereby disclaims any and all warranties and liabilities of any kind, including without limitation, warranties of non-infringement of intellectual property rights of any third party.

## **Information**

For further information on technology, delivery terms and conditions and prices, please contact the nearest Infineon Technologies Office ([www.infineon.com](http://www.infineon.com)).

## **Warnings**

Due to technical requirements, components may contain dangerous substances. For information on the types in question, please contact the nearest Infineon Technologies Office. Infineon Technologies components may be used in life-support devices or systems only with the express written approval of Infineon Technologies, if a failure of such components can reasonably be expected to cause the failure of that life-support device or system or to affect the safety or effectiveness of that device or system. Life support devices or systems are intended to be implanted in the human body or to support and/or maintain and sustain and/or protect human life. If they fail, it is reasonable to assume that the health of the user or other persons may be endangered.

## Revision History

**Document No.:** BGS13S2N9\_Final\_v1.0.pdf

**Revision History:** Final Rev. v1.0

**Previous Version:** Target, Revision v1.4 - 2015-12-23

Page	Subjects (major changes since last revision)

### Trademarks of Infineon Technologies AG

$\mu$ HVIC<sup>TM</sup>,  $\mu$ IPM<sup>TM</sup>,  $\mu$ PFC<sup>TM</sup>, AU-ConvertIR<sup>TM</sup>, AURIX<sup>TM</sup>, C166<sup>TM</sup>, CanPAK<sup>TM</sup>, CIPOS<sup>TM</sup>, CIPURSE<sup>TM</sup>, CoolDP<sup>TM</sup>, CoolGaN<sup>TM</sup>, COOLiR<sup>TM</sup>, CoolMOS<sup>TM</sup>, CoolSET<sup>TM</sup>, CoolSiC<sup>TM</sup>, DAVE<sup>TM</sup>, DI-POL<sup>TM</sup>, DirectFET<sup>TM</sup>, DrBlade<sup>TM</sup>, EasyPIM<sup>TM</sup>, EconoBRIDGE<sup>TM</sup>, EconoDUAL<sup>TM</sup>, EconoPACK<sup>TM</sup>, EconoPIM<sup>TM</sup>, EiceDRIVER<sup>TM</sup>, eupec<sup>TM</sup>, FCOS<sup>TM</sup>, GaNpowIR<sup>TM</sup>, HEXFET<sup>TM</sup>, HITFET<sup>TM</sup>, HybridPACK<sup>TM</sup>, iMOTION<sup>TM</sup>, IRAM<sup>TM</sup>, ISOFACE<sup>TM</sup>, IsoPACK<sup>TM</sup>, LEDrivIR<sup>TM</sup>, LITIX<sup>TM</sup>, MIPAQ<sup>TM</sup>, ModSTACK<sup>TM</sup>, my-d<sup>TM</sup>, NovalithIC<sup>TM</sup>, OPTIGA<sup>TM</sup>, OptiMOS<sup>TM</sup>, ORIGA<sup>TM</sup>, PowIRaudio<sup>TM</sup>, PowIRStage<sup>TM</sup>, PrimePACK<sup>TM</sup>, PrimeSTACK<sup>TM</sup>, PROFET<sup>TM</sup>, PRO-SIL<sup>TM</sup>, RASIC<sup>TM</sup>, REAL3<sup>TM</sup>, SmartLEWIS<sup>TM</sup>, SOLID FLASH<sup>TM</sup>, SPOC<sup>TM</sup>, StrongIRFET<sup>TM</sup>, SupIRBuck<sup>TM</sup>, TEMPFET<sup>TM</sup>, TRENCHSTOP<sup>TM</sup>, TriCore<sup>TM</sup>, UHVIC<sup>TM</sup>, XHP<sup>TM</sup>, XMC<sup>TM</sup>.

### Other Trademarks

All referenced product or service names and trademarks are the property of their respective owners.

Trademarks updated November 2015

## Contents

<b>1</b>	<b>Features</b>	<b>5</b>
<b>2</b>	<b>Product Description</b>	<b>5</b>
<b>3</b>	<b>Maximum Ratings</b>	<b>6</b>
<b>4</b>	<b>Operation Ranges</b>	<b>7</b>
<b>5</b>	<b>RF Characteristics</b>	<b>8</b>
<b>6</b>	<b>GPIO Specification</b>	<b>10</b>
<b>7</b>	<b>Pin Definition and Package Outline</b>	<b>10</b>

## List of Figures

1	BGS13S2N9 Block Diagram . . . . .	6
2	Pin out (top view) . . . . .	10
3	Package Outline (bottom and side view) . . . . .	11
4	Land pattern and stencil mask . . . . .	11
5	Marking Pattern . . . . .	12
6	Tape and Reel (Reel $\phi$ 180 mm: 15.000 Pieces/Reel) . . . . .	13

## List of Tables

1	Ordering Information . . . . .	5
2	Maximum Ratings, Table I . . . . .	6
3	Maximum Ratings, Table II . . . . .	7
4	Operation Ranges . . . . .	7
5	RF Input Power . . . . .	7
6	RF Characteristics . . . . .	8
7	RF Characteristics . . . . .	9
8	GPIO Truth Table . . . . .	10
9	Pin Configuration . . . . .	10
10	Mechanical Data . . . . .	11
11	Year Date Code . . . . .	12
12	Week Date Code . . . . .	12

## BGS13S2N9 Wideband RF SP3T Switch

### 1 Features

- 3 high-linearity TRx paths with power handling capability of up to 30 dBm
- Low insertion loss
- Low harmonic generation
- High port-to-port-isolation
- Suitable for Edge / CDMA2000 / LTE / WCDMA applications
- 0.1 to 3.0 GHz coverage
- No decoupling capacitors required if no DC applied on RF lines
- On-chip control logic including ESD protection
- General Purpose Input-Output (GPIO) Interface
- Small form factor 1.1 mm x 1.1 mm x 0.375 mm
- No power supply blocking required
- High EMI robustness
- RoHS and WEEE compliant package



### 2 Product Description

The BGS13S2N9 RF MOS switch is specifically designed for cell phone and mobile applications. Any of the 3 ports can be used as termination of the diversity antenna handling up to 30 dBm.

This SP3T offers low insertion loss and high robustness against interferer signals at the antenna port and low harmonic generation in termination mode. The on-chip controller integrates CMOS logic and level shifters, driven by control inputs from 1.35 V to VDD . The BGS13S2N9 RF Switch is manufactured in Infineon's patented MOS technology, offering the performance of GaAs with the economy and integration of conventional CMOS including the inherent higher ESD robustness. The device has a very small size of only 1.1 x 1.1 mm<sup>2</sup> and a maximum height of 0.375 mm.

No decoupling capacitors are required in typical applications as long as no DC is applied to any RF port.

**Table 1: Ordering Information**

Type	Package	Marking
BGS13S2N9	TSNP-9-3	R

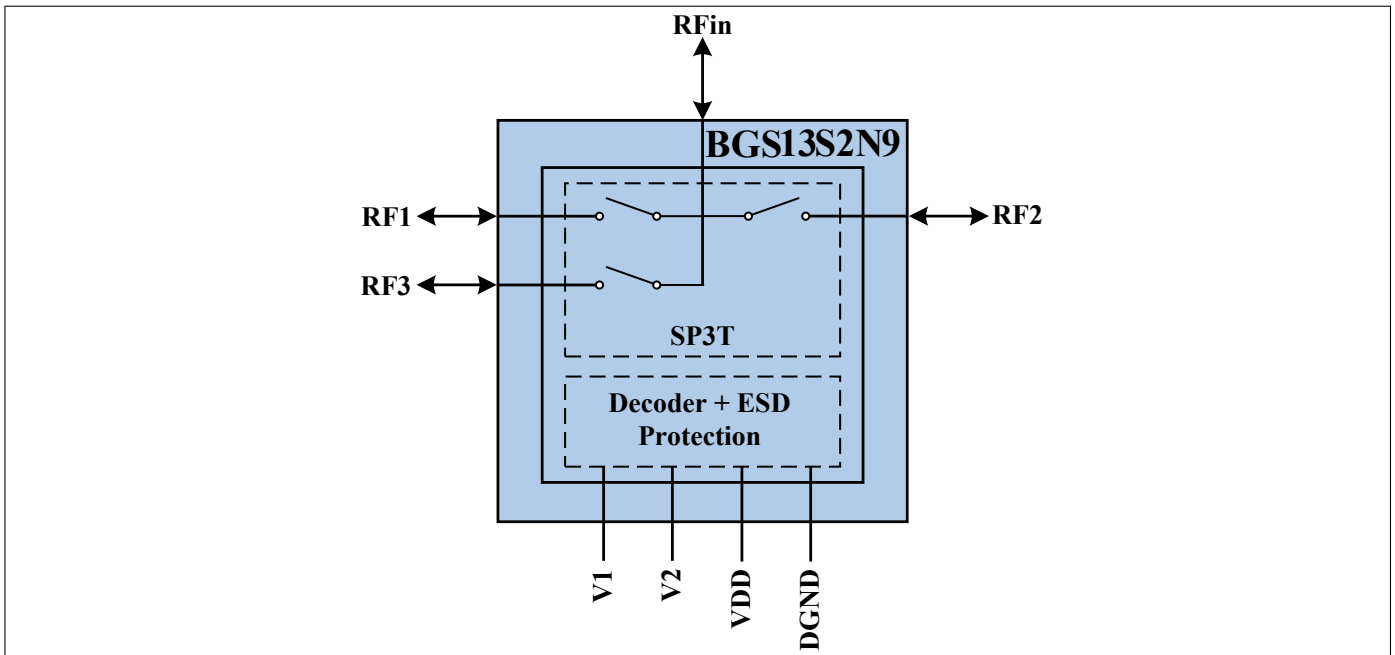


Figure 1: BGS13S2N9 Block Diagram

### 3 Maximum Ratings

Stresses above the maximum values listed here may cause permanent damage to the device. Exposure to absolute maximum rating conditions for extended periods may affect device reliability. Maximum ratings are absolute ratings; exceeding only one of these values may cause irreversible damage to the integrated circuit.

Table 2: Maximum Ratings, Table I at  $T_A = 25\text{ }^\circ\text{C}$ , unless otherwise specified

Parameter	Symbol	Values			Unit	Note / Test Condition
		Min.	Typ.	Max.		
Frequency Range	f	0.1	–	3.0	GHz	1)
Supply voltage	$V_{DD}$	-0.5	–	3.6	V	–
Storage temperature range	$T_{STG}$	-55	–	150	$^\circ\text{C}$	–
Junction temperature	$T_j$	–	–	125	$^\circ\text{C}$	–
RF input power at all Rx ports	$P_{RF\_Rx}$	–	–	32	dBm	CW
ESD capability, CDM <sup>2)</sup>	$V_{ESD\_CDM}$	-1000	–	+1000	V	All pins
ESD capability, HBM <sup>3)</sup>	$V_{ESD\_HBM}$	-500	–	+500	V	All pins excluding RFIn
		-250	–	+250	V	RFIn vs. other pins
ESD capability, system level <sup>4)</sup>	$V_{ESD\_ANT}$	-8000	–	+8000	V	ANT versus system GND, with 27 nH shunt inductor

1) There is also a DC connection between switched paths. The DC voltage at RF ports  $V_{RFDC}$  has to be 0V.

2) Field-Induced Charged-Device Model JESD22-C101. Simulates charging/discharging events that occur in production equipment and processes. Potential for CDM ESD events occurs whenever there is metal-to-metal contact in manufacturing.

3) Human Body Model ANSI/ESDA/JEDEC JS-001-2012 (R=1.5 k $\Omega$ , C=100 pF).

4) IEC 61000-4-2 (R=330  $\Omega$ , C=150 pF), contact discharge.

**Table 3: Maximum Ratings, Table II at  $T_A = 25\text{ }^\circ\text{C}$ , unless otherwise specified**

Parameter	Symbol	Values			Unit	Note / Test Condition
		Min.	Typ.	Max.		
Maximum DC-voltage on RF-Ports and RF-Ground	$V_{RFDC}$	0	–	0	V	No DC voltages allowed on RF-Ports

## 4 Operation Ranges

**Table 4: Operation Ranges**

Parameter	Symbol	Values			Unit	Note / Test Condition
		Min.	Typ.	Max.		
Supply voltage	$V_{DD}$	1.8	–	3.3	V	–
Supply current <sup>1)</sup>	$I_{DD}$	–	80	200	$\mu\text{A}$	–
GPIO control voltage high	$V_{Ctrl\_H}$	1.35	–	$V_{DD}$	V	–
GPIO control voltage low	$V_{Ctrl\_L}$	-0.3	–	0.43	V	–
GPIO control input capacitance	$C_{Ctrl}$	–	–	2	pF	–
Ambient temperature	$T_A$	-40	25	85	$^\circ\text{C}$	–

<sup>1)</sup> $T_A = -40\text{ }^\circ\text{C} - 85\text{ }^\circ\text{C}$ ,  $V_{DD} = 1.8 - 3.3\text{ V}$ 
**Table 5: RF Input Power**

Parameter	Symbol	Values			Unit	Note / Test Condition
		Min.	Typ.	Max.		
Rx ports (50 $\Omega$ )	$P_{RF\_Rx}$	–	–	30	dBm	CW

## 5 RF Characteristics

**Table 6: RF Characteristics** at  $T_A = -40\text{ }^\circ\text{C} - 85\text{ }^\circ\text{C}$ ,  $P_{IN} = 0\text{ dBm}$ , Supply Voltage  $V_{DD} = 1.8\text{ V} - 3.3\text{ V}$ ,  $Z_0 = 50\text{ Ohm}$ , unless otherwise specified

Parameter	Symbol	Values			Unit	Note / Test Condition
		Min.	Typ.	Max.		
<b>Insertion Loss</b>						
All Rx Ports	IL	0.10	0.25	0.35	dB	824–915 MHz
		0.15	0.30	0.50	dB	1710–1910 MHz
		0.15	0.40	0.70	dB	2170–2500 MHz
		0.20	0.55	0.85	dB	2700MHz
<b>Insertion Loss<sup>1)</sup></b>						
All Rx Ports	IL	0.20	0.25	0.30	dB	824–915 MHz
		0.25	0.30	0.45	dB	1710–1910 MHz
		0.30	0.35	0.60	dB	2170–2500 MHz
		0.45	0.55	0.75	dB	2700MHz
<b>Return Loss</b>						
All Rx Ports	RL	21	30	54	dB	824–915 MHz
		17	22	29	dB	1710–1910 MHz
		16	20	26	dB	2170–2500 MHz
		12	16	20	dB	2700MHz
<b>Isolation<sup>1)</sup></b>						
RF <sub>in</sub> to RF1/RF2/RF3 <sup>2)</sup>	ISO <sub>In-RFx</sub>	32	37	44	dB	824–915 MHz
		22	27	33	dB	1710–1910 MHz
		19	24	29	dB	2170–2500 MHz
		18	22	27	dB	2700MHz
RF1 to RF2 / RF2 to RF1 <sup>3)</sup> RF1 to RF3 / RF3 to RF1 <sup>4)</sup> RF2 to RF3 / RF3 to RF2 <sup>5)</sup>	ISO <sub>port-port</sub>	34	38	43	dB	824–915 MHz
		20	25	27	dB	1710–1910 MHz
		18	22	25	dB	2170–2500 MHz
		15	19	23	dB	2700MHz

<sup>1)</sup>  $T_A = 25\text{ }^\circ\text{C}$ ,  $V_{DD} = 3\text{ V}$

<sup>2)</sup> Any RF Port ON

<sup>3)</sup> RF1 or RF2 ON

<sup>4)</sup> RF1 or RF3 ON

<sup>5)</sup> RF2 or RF3 ON



**Table 7: RF Characteristics** at  $T_A = -40\text{ }^{\circ}\text{C} - 85\text{ }^{\circ}\text{C}$ ,  $P_{IN} = 0\text{ dBm}$ , Supply Voltage  $V_{DD} = 1.8\text{ V} - 3.3\text{ V}$ ,  $Z_0 = 50\text{ Ohm}$ , unless otherwise specified

Parameter	Symbol	Values			Unit	Note / Test Condition
		Min.	Typ.	Max.		
<b>P0.1 dB Compression Point, Extrapolated</b>						
All Rx Ports	$P_{0.1dB}$	34	–	–	dBm	
<b>Harmonic Generation up to 12.75 GHz</b>						
H2	$P_{Harm}$	–	-90	-80	dBc	27 dBm, 50 $\Omega$ , CW mode
H3	$P_{Harm}$	–	-90	-80	dBc	27 dBm, 50 $\Omega$ , CW mode
<b>Intermodulation Distortion in Rx Band<sup>1)</sup> (<math>T_A = 25\text{ }^{\circ}\text{C}</math>)</b>						
IMD2	IMD2	–	-110	-105	dBm	Tx = 10 dBm, Interferer = -15 dBm, 50 $\Omega$
IMD3	IMD3	–	-115	-105	dBm	
<b>Switching Time</b>						
RF Rise Time	$t_{on/off}$	–	0.03	0.09	$\mu\text{s}$	10% to 90% RF ON; 90% to 10% RF OFF
Ctrl to RF Time	$t_{Ctrl-RF}$	–	0.18	0.25	$\mu\text{s}$	50% of Ctrl Signal to 90% of RF Signal

<sup>1)</sup>With external shunt inductor

## 6 GPIO Specification

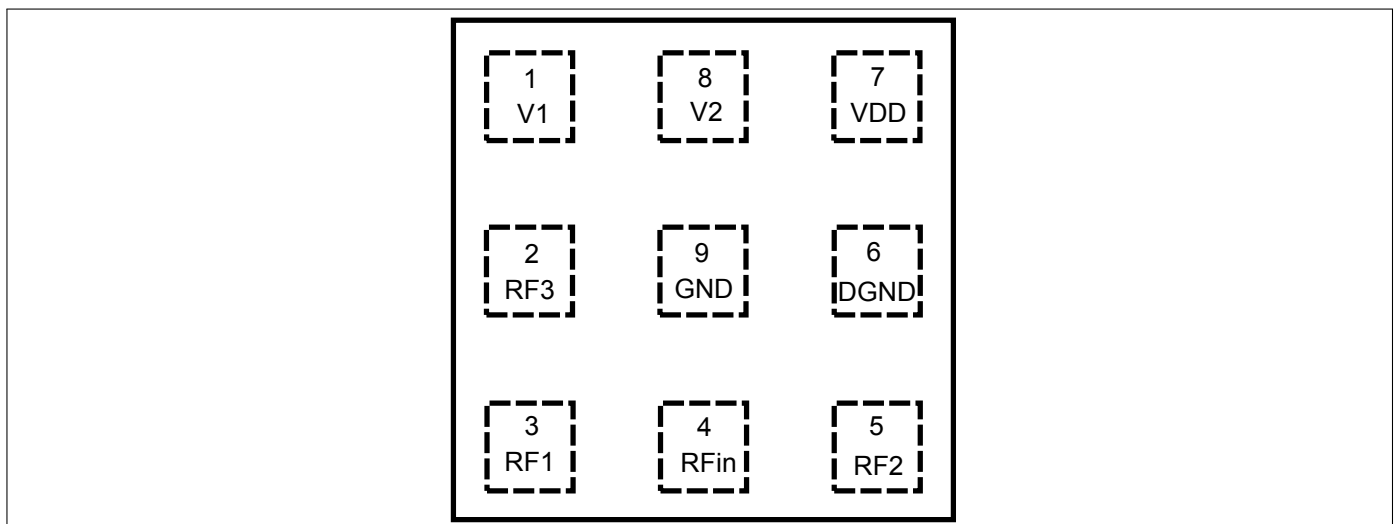
**Table 8: Modes of Operation Truth Table**

State	Mode	Control Inputs			RF1	RF2	RF3
		V1	V2				
1	Isolation	0	0		off	off	off
2	RFin - RF1	1	0		on	off	off
3	RFin - RF2	0	1		off	on	off
4	RFin - RF3	1	1		off	off	on

## 7 Pin Definition and Package Outline

**Table 9: Pin Configuration**

No	Name	Pin Type	Buffer Type	Function
1	V1	I		Control Pin 1
2	RF3	I/O		RF-Port3
3	RF1	I/O		RF-Port1
4	RFin	I/O		RF-Input
5	RF2	I/O		RF-Port2
6	DGND	GND		Digital Ground
7	VDD	PWR		Power Supply
8	V2	I		Control Pin 2
9	GND	GND		Digital Ground



**Figure 2:** Pin out (top view)

Table 10: Mechanical Data

Parameter	Symbol	Value	Unit
X-Dimension	X	$1.1 \pm 0.05$	mm
Y-Dimension	Y	$1.1 \pm 0.05$	mm
Size	Size	1.21	mm <sup>2</sup>
Height	H	$0.375 \pm 0.025$	mm
Pad-Pitch		0.4	mm

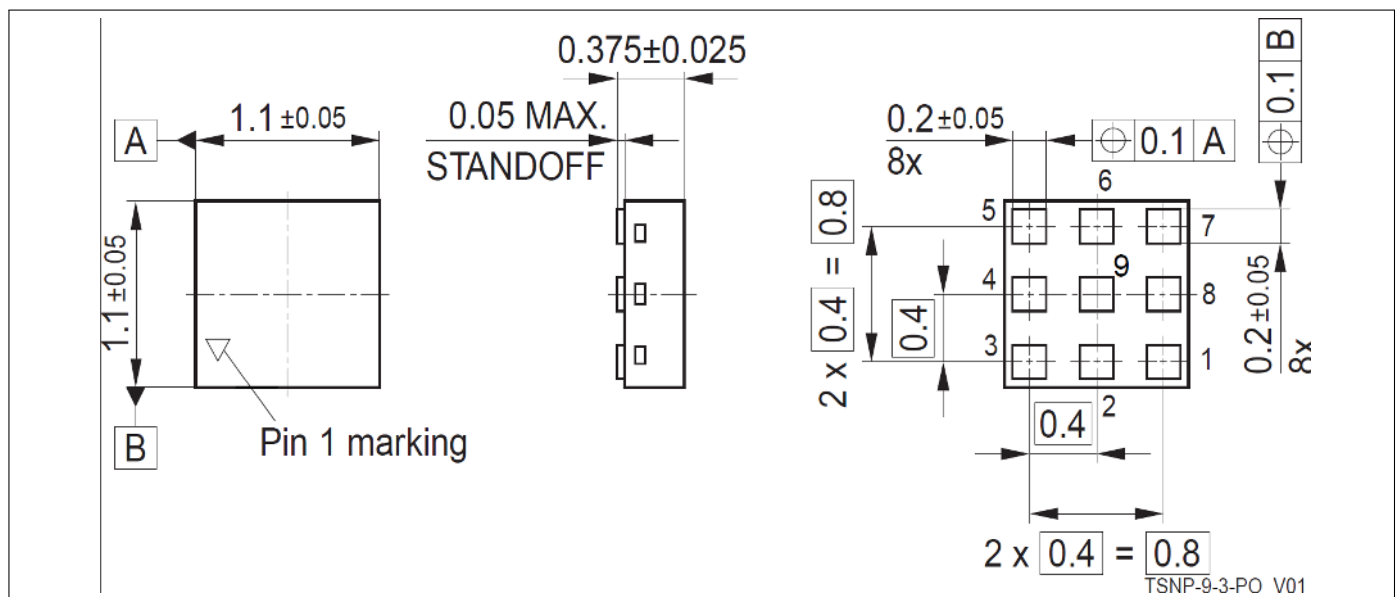


Figure 3: Package Outline (bottom and side view)

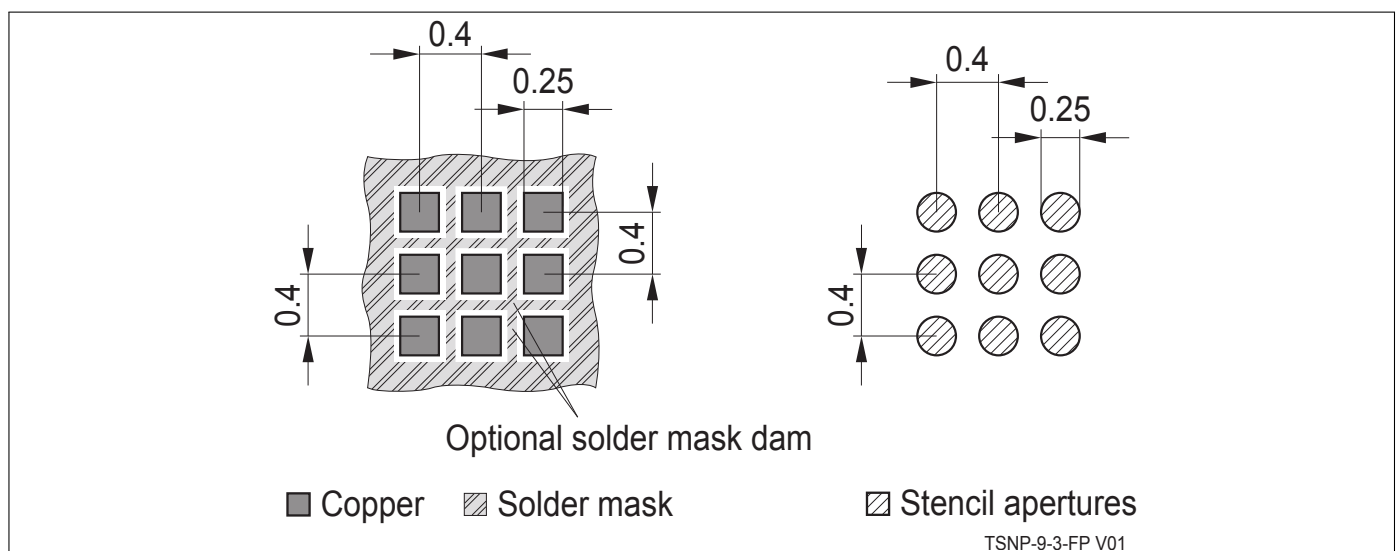


Figure 4: Land pattern and stencil mask

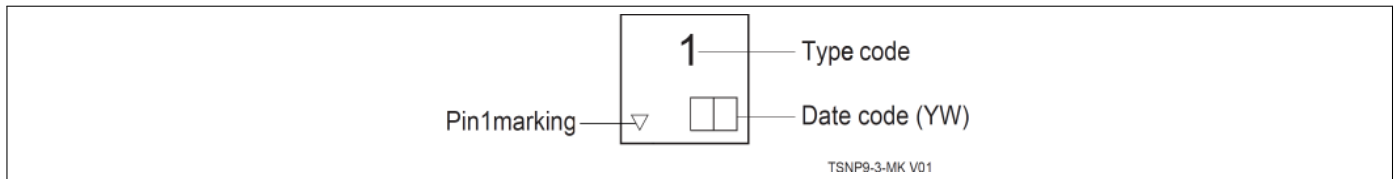


Figure 5: Marking Pattern

Table 11: Year date code marking - digit "Y"

Year	"Y"	Year	"Y"	Year	"Y"
2000	0	2010	0	2020	0
2001	1	2011	1	2021	1
2002	2	2012	2	2022	2
2003	3	2013	3	2023	3
2004	4	2014	4	2024	4
2005	5	2015	5	2025	5
2006	6	2016	6	2026	6
2007	7	2017	7	2027	7
2008	8	2018	8	2028	8
2009	9	2019	9	2029	9

Table 12: Week date code marking - digit "W"

Week	"W"	Week	"W"	Week	"W"	Week	"W"	Week	"W"
1	A	12	N	23	4	34	h	45	v
2	B	13	P	24	5	35	j	46	x
3	C	14	Q	25	6	36	k	47	y
4	D	15	R	26	7	37	l	48	z
5	E	16	S	27	a	38	n	49	8
6	F	17	T	28	b	39	p	50	9
7	G	18	U	29	c	40	q	51	2
8	H	19	V	30	d	41	r	52	3
9	J	20	W	31	e	42	s		
10	K	21	Y	32	f	43	t		
11	L	22	Z	33	g	44	u		

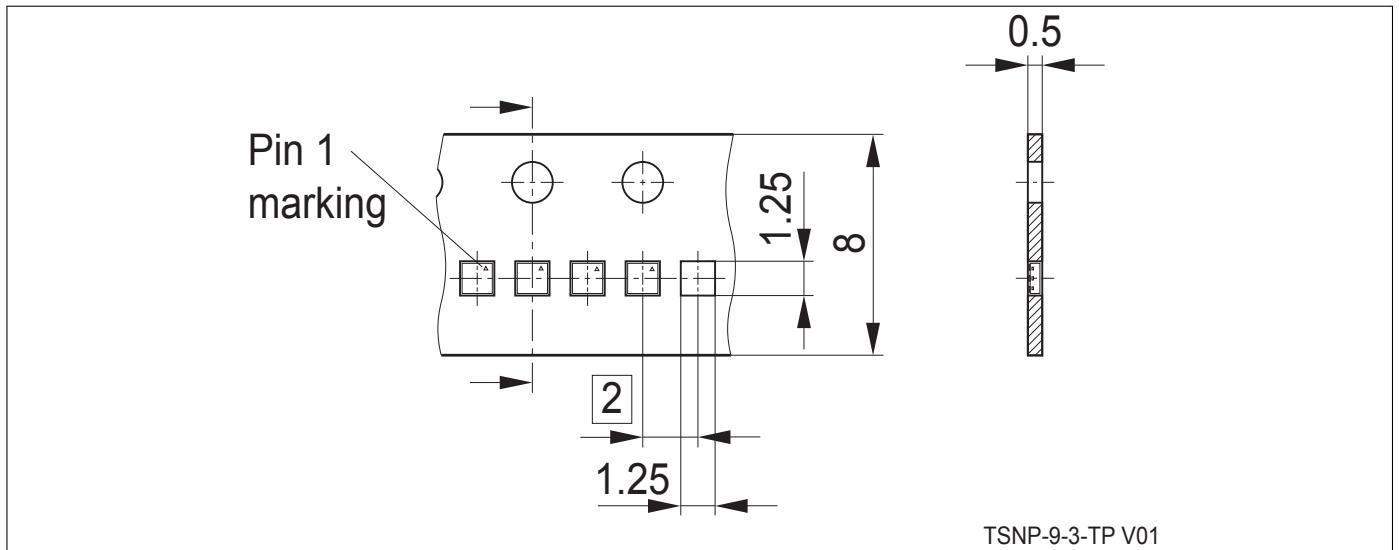


Figure 6: Tape and Reel (Reel  $\phi$  180 mm: 15.000 Pieces/Reel)

[www.infineon.com](http://www.infineon.com)

Published by Infineon Technologies AG