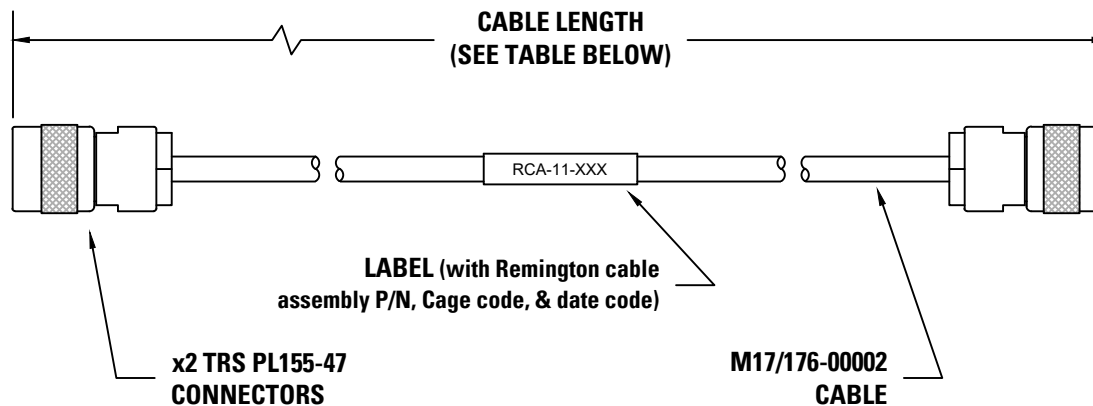


Consisting of two TRS connectors wrench-cripped to each end of a twinax cable, this is a top grade cable assembly that is perfect for many MIL-STD-1553B systems. The TRS PL155-47 connectors and M17/176-00002 twinaxial cable lend to an assembly that withstands a wide temperature range, offers exceptional shielding, and meets stringent military & organizational specifications. As such, this cable assembly is ideal for a variety of military & civil high frequency signal transmission operations, including avionics, spacecraft, laboratory, medical, & general control system applications.

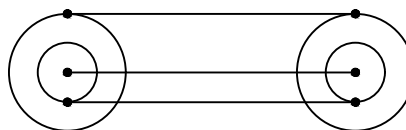
- Workmanship per IPC/WHMA-A-620, Class 3, Section 13
- 100% Tested for continuity and a dielectric withstanding voltage of 1000 V<sub>RMS</sub>
- Bend Radius: 0.75" minimum
- RoHS compliant



PART NUMBER	CABLE LENGTH *
RCA-11-12	1 ft (0.30 m)
RCA-11-24	2 ft (0.61 m)
RCA-11-36	3 ft (0.91 m)
RCA-11-48	4 ft (1.22 m)
RCA-11-60	5 ft (1.52 m)
RCA-11-72	6 ft (1.83 m)
RCA-11-96	8 ft (2.44 m)
RCA-11-120	10 ft (3.05 m)
RCA-11-144	12 ft (3.66 m)
RCA-11-180	15 ft (4.57 m)
RCA-11-240	20 ft (6.10 m)
RCA-11-300	25 ft (7.62 m)
RCA-11-600	50 ft (15.24 m)

\* Tolerance per IPC/WHMA-A-620, Section 11.1

**WIRING SCHEMATIC**



ELECTRICAL SPECIFICATIONS	
<b>Impedance</b>	78 Ω Nominal
<b>Voltage Rating</b>	400 V <sub>RMS</sub> Maximum
<b>Temperature Rating</b>	-55°C (-67°F) to 165°C (329°F)

**RCA-11-XXX**  
TRS/TRS MIL-STD-1553B  
Twinax Cable Assembly  
**Data Sheet**

**Remington Industries**  
is proud to offer our  
**Custom Wire Services**

Our exclusive inventory of in-stock wire and ability to procure wire of all kinds makes us the perfect partner for wire purchasing and custom wire services. We are proud to provide essential, high quality wire for engineering projects, educational science projects, coil winding, and electronics applications.

Some of our many wire services include the following:

- Wire Re-Packaging
- Bifilar & Trifilar Windings
- Wire Processing
- Coil Winding
- Wire Procurement Services

If you have any questions or need any information about our **Wire Services**, feel free to contact us! It only takes one call to get experienced assistance.

**Contact us by phone:**  
(815) 385-1987

**Contact us by email:**  
[sales@remingtonindustries.com](mailto:sales@remingtonindustries.com)

1/31/20 | -1 | Added Wire Services panel; updated data sheet format to be consistent with other data sheets | AG

**DATE | ISS. | REVISION | BY**

Drawn by: AG 10/7/19  
Checked by: JH, LJ, DB  
Drawing rev.: -1

**Remington**  
Industries

3521 N. Chapel Hill Rd  
Johnsburg, IL 60051 USA  
[remingtonindustries.com](http://remingtonindustries.com)