

Advanced Regulating Pulse Width Modulators

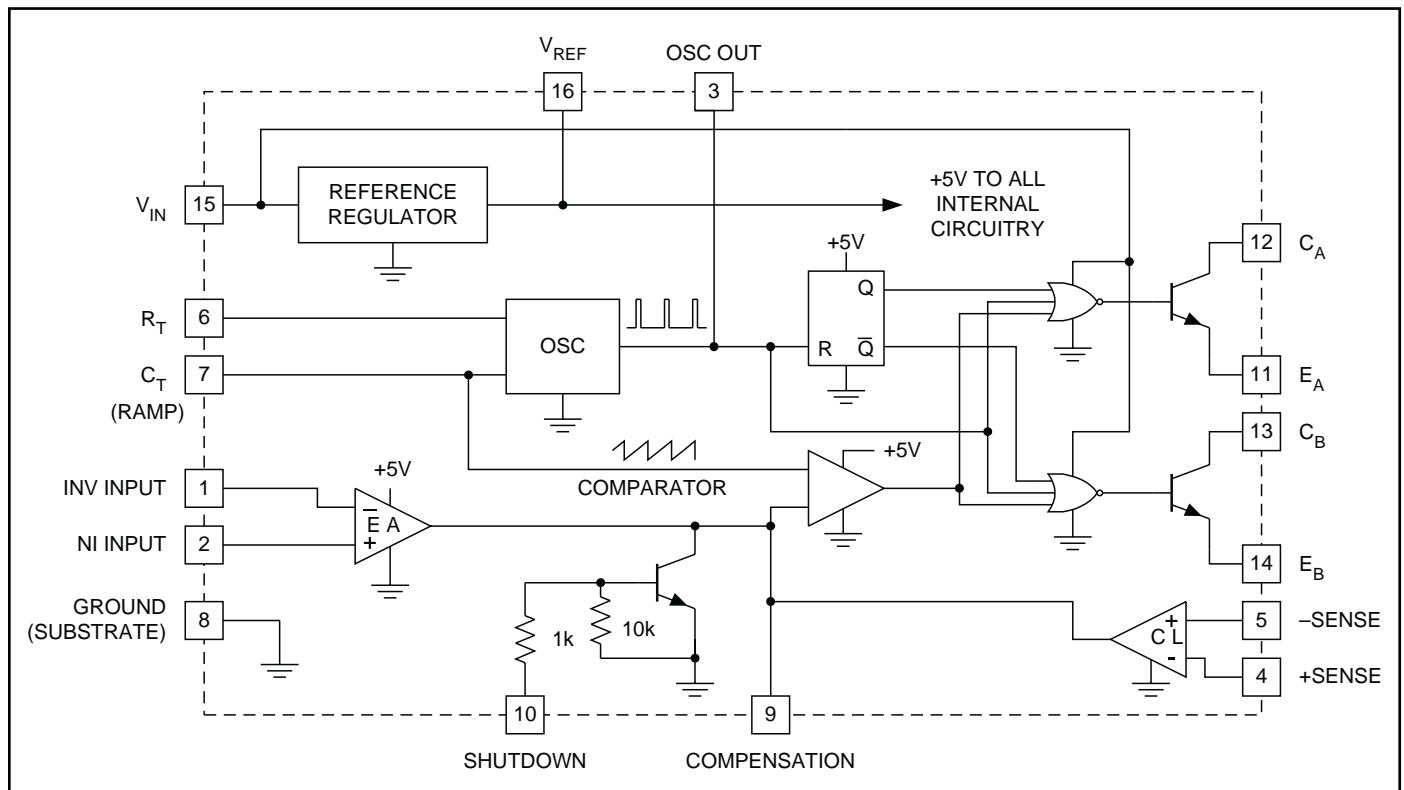
FEATURES

- Complete PWM Power Control Circuitry
- Uncommitted Outputs for Single-ended or Push-pull Applications
- Low Standby Current...8mA Typical
- Interchangeable with SG1524, SG2524 and SG3524, Respectively

DESCRIPTION

The UC1524, UC2524 and UC3524 incorporate on a single monolithic chip all the functions required for the construction of regulating power supplies, inverters or switching regulators. They can also be used as the control element for high-power-output applications. The UC1524 family was designed for switching regulators of either polarity, transformer-coupled dc-to-dc converters, transformerless voltage doublers and polarity converter applications employing fixed-frequency, pulse-width modulation techniques. The dual alternating outputs allow either single-ended or push-pull applications. Each device includes an on-chip reference, error amplifier, programmable oscillator, pulse-steering flip-flop, two uncommitted output transistors, a high-gain comparator, and current-limiting and shut-down circuitry. The UC1524 is characterized for operation over the full military temperature range of -55°C to +125°C. The UC2524 and UC3524 are designed for operation from -25°C to +85°C and 0° to +70°C, respectively.

BLOCK DIAGRAM



ABSOLUTE MAXIMUM RATINGS (Note 1)

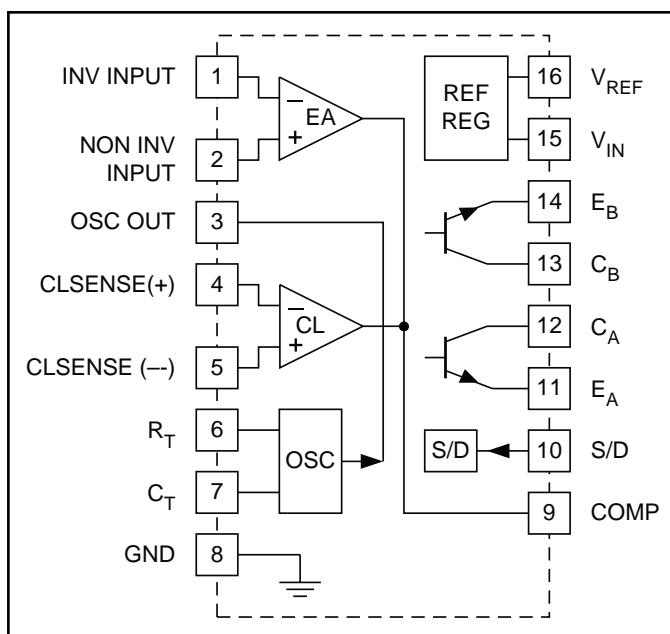
Supply Voltage, V_{CC} (Notes 2 and 3)	40V
Collector Output Current	100mA
Reference Output Current	50mA
Current Through C_T Terminal	-5mA
Power Dissipation at $T_A = +25^\circ\text{C}$ (Note 4)	1000mW
Power Dissipation at $T_C = +25^\circ\text{C}$ (Note 4)	2000mW
Operating Junction Temperature Range	-55°C to $+150^\circ\text{C}$
Storage Temperature Range	-65°C to $+150^\circ\text{C}$

- Note 1: Over operating free-air temperature range unless otherwise noted.
- Note 2: All voltage values are with respect to the ground terminal, pin 8.
- Note 3: The reference regulator may be bypassed for operation from a fixed 5V supply by connecting the V_{CC} and reference output pins both to the supply voltage. In this configuration the maximum supply voltage is 6V.
- Note 4: Consult packaging section of databook for thermal limitations and considerations of package.

RECOMMENDED OPERATING CONDITIONS

Supply Voltage, V_{CC}	8V to 40V
Reference Output Current	0 to 20mA
Current through C_T Terminal	-0.03mA to -2mA
Timing Resistor, R_T	1.8k Ω to 100k Ω
Timing Capacitor, C_T	0.001 μF to 0.1 μF
Operating Ambient Temperature Range	
UC1524	-55°C to $+125^\circ\text{C}$
UC2524	-25°C to $+85^\circ\text{C}$
UC3524	0°C to $+70^\circ\text{C}$

CONNECTION DIAGRAM



ELECTRICAL CHARACTERISTICS: Unless otherwise stated, these specifications apply for $T_A = -55^\circ\text{C}$ to $+125^\circ\text{C}$ for the UC1524, -25°C to $+85^\circ\text{C}$ for the UC2524, and 0°C to $+70^\circ\text{C}$ for the UC3524, $V_{IN} = 20\text{V}$, and $f = 20\text{kHz}$, $T_A = T_J$.

PARAMETER	TEST CONDITIONS	UC1524/UC2524			UC3524			UNITS
		MIN	TYP	MAX	MIN	TYP	MAX	
Reference Section								
Output Voltage		4.8	5.0	5.2	4.6	5.0	5.4	V
Line Regulation	$V_{IN} = 8$ to 40V		10	20		10	30	mV
Load Regulation	$I_L = 0$ to 20mA		20	50		20	50	mV
Ripple Rejection	$f = 120\text{Hz}$, $T_J = 25^\circ\text{C}$		66			66		dB
Short Circuit Current Limit	$V_{REF} = 0$, $T_J = 25^\circ\text{C}$		100			100		mA
Temperature Stability	Over Operating Temperature Range		0.3	1		0.3	1	%
Long Term Stability	$T_J = 125^\circ\text{C}$, $t = 1000$ Hrs.		20			20		mV
Oscillator Section								
Maximum Frequency	$C_T = .001\text{mfd}$, $R_T = 2\text{k}\Omega$		300			300		kHz
Initial Accuracy	R_T and C_T Constant		5			5		%
Voltage Stability	$V_{IN} = 8$ to 40V , $T_J = 25^\circ\text{C}$			1			1	%
Temperature Stability	Over Operating Temperature Range			5			5	%
Output Amplitude	Pin 3, $T_J = 25^\circ\text{C}$		3.5			3.5		V
Output Pulse Width	$C_T = .01\text{mfd}$, $T_J = 25^\circ\text{C}$		0.5			0.5		μs
Error Amplifier Section								
Input Offset Voltage	$V_{CM} = 2.5\text{V}$		0.5	5		2	10	mV
Input Bias Current	$V_{CM} = 2.5\text{V}$		2	10		2	10	μA
Open Loop Voltage Gain		72	80		60	80		dB
Common Mode Voltage	$T_J = 25^\circ\text{C}$	1.8		3.4	1.8		3.4	V

ELECTRICAL CHARACTERISTICS: Unless otherwise stated, these specifications apply for $T_A = -55^{\circ}\text{C}$ to $+125^{\circ}\text{C}$ for the UC1524, -25°C to $+85^{\circ}\text{C}$ for the UC2524, and 0°C to $+70^{\circ}\text{C}$ for the UC3524, $V_{IN} = 20\text{V}$, and $f = 20\text{kHz}$, $T_A = T_J$.

PARAMETER	TEST CONDITIONS	UC1524/UC2524			UC3524			UNITS
		MIN	TYP	MAX	MIN	TYP	MAX	
Error Amplifier Section (cont.)								
Common Mode Rejection Ratio	$T_J = 25^{\circ}\text{C}$		70			70		dB
Small Signal Bandwidth	$A_v = 0\text{dB}$, $T_J = 25^{\circ}\text{C}$		3			3		MHz
Output Voltage	$T_J = 25^{\circ}\text{C}$	0.5		3.8	0.5		3.8	V
Comparator Section								
Duty-Cycle	% Each Output On	0		45	0		45	%
Input Threshold	Zero Duty-Cycle		1			1		V
	Maximum Duty-Cycle		3.5			3.5		V
Input Bias Current			1			1		μA
Current Limiting Section								
Sense Voltage	Pin 9 = 2V with Error Amplifier Set for Maximum Out, $T_J = 25^{\circ}\text{C}$	190	200	210	180	200	220	mV
Sense Voltage T.C.			0.2			0.2		$\text{mV}/^{\circ}\text{C}$
Common Mode Voltage		-1		+1	-1		+1	V
Output Section (Each Output)								
Collector-Emitter Voltage		40			40			V
Collector Leakage Current	$V_{CE} = 40\text{V}$		0.1	50		0.1	50	μA
Saturation Voltage	$I_C = 50\text{mA}$		1	2		1	2	V
Emitter Output Voltage	$V_{IN} = 20\text{V}$	17	18		17	18		V
Rise Time	$R_C = 2\text{k}\Omega$, $T_J = 25^{\circ}\text{C}$		0.2			0.2		μs
Fall Time	$R_C = 2\text{k}\Omega$, $T_J = 25^{\circ}\text{C}$		0.1			0.1		μs
Total Standby Current (Note)	$V_{IN} = 40\text{V}$		8	10		8	10	mA

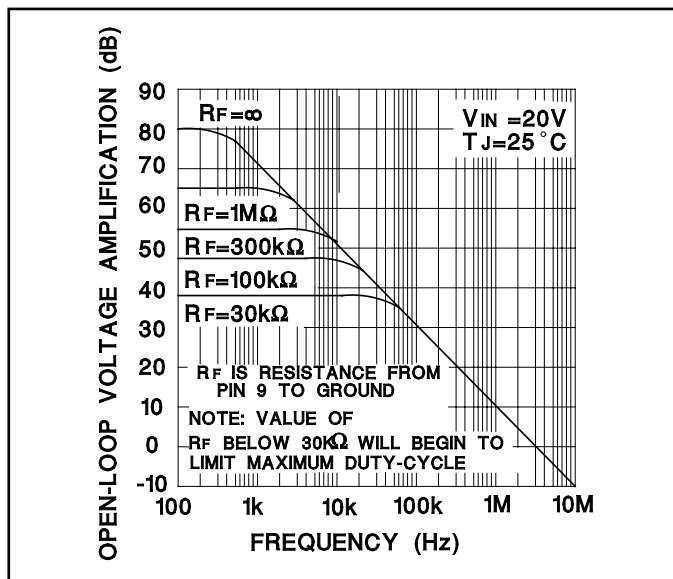
Note: Excluding oscillator charging current, error and current limit dividers, and with outputs open.

PRINCIPLES OF OPERATION

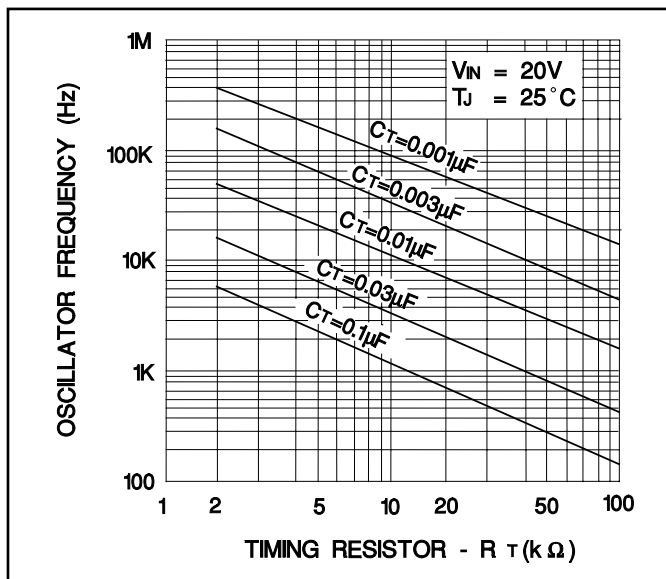
The UC1524 is a fixed-frequency pulse-width-modulation voltage regulator control circuit. The regulator operates at a frequency that is programmed by one timing resistor (R_T), and one timing capacitor (C_T), R_T establishes a constant charging current for C_T . This results in a linear voltage ramp at C_T , which is fed to the comparator providing linear control of the output pulse width by the error amplifier. The UC1524 contains an on-board 5V regulator that serves as a reference as well as powering the UC1524's internal control circuitry and is also useful in supplying external support functions. This reference voltage is lowered externally by a resistor divider to provide a reference within the common-mode range of the error amplifier or an external reference may be used. The power supply output is sensed by a second resistor divider network to generate a feedback signal to the error amplifier. The amplifier output voltage is then compared to the linear voltage ramp at C_T . The resulting modulated pulse out of the high-gain comparator is then steered to

the appropriate output pass transistor (Q_1 or Q_2) by the pulse-steering flip-flop, which is synchronously toggled by the oscillator output. The oscillator output pulse also serves as a blanking pulse to assure both outputs are never on simultaneously during the transition times. The width of the blanking pulse is controlled by the value of C_T . The outputs may be applied in a push-pull configuration in which their frequency is half that of the base oscillator, or paralleled for single-ended applications in which the frequency is equal to that of the oscillator. The output of the error amplifier shares a common input to the comparator with the current limiting and shutdown circuitry and can be overridden by signals from either of these inputs. This common point is also available externally and may be employed to control the gain of, or to compensate, the error amplifier or to provide additional control to the regulator.

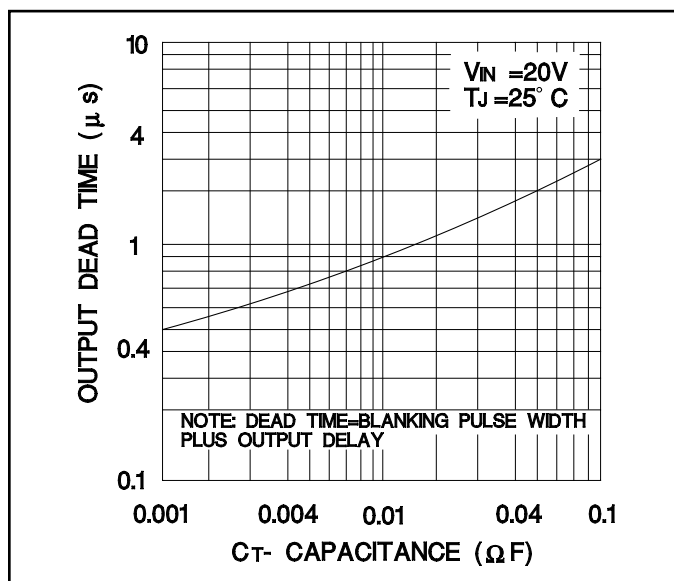
TYPICAL CHARACTERISTICS



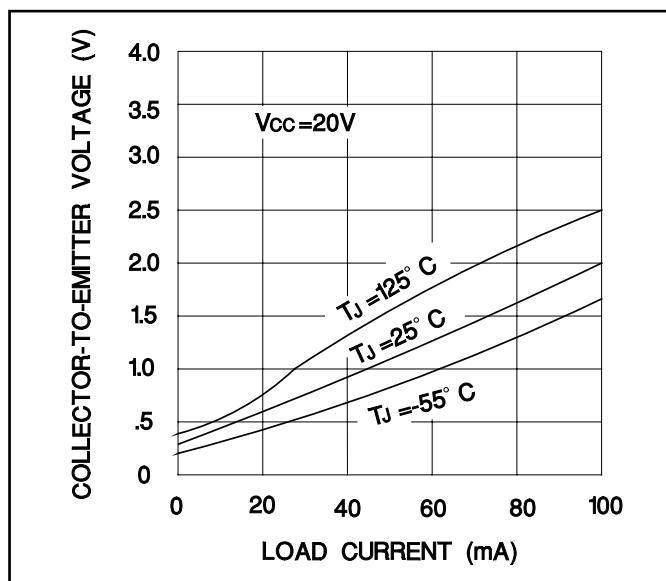
Open-loop voltage amplification of error amplifier vs frequency.



Oscillator frequency vs timing components.



Output dead time vs timing capacitance value.



Output saturation voltage vs load current.

APPLICATION INFORMATION

Oscillator

The oscillator controls the frequency of the UC1524 and is programmed by R_T and C_T according to the approximate formula:

$$f' = \frac{1.18}{R_T C_T}$$

where R_T is in $k\Omega$
 C_T is in mF
 f is in kHz

Practical values of C_T fall between 0.001mF and 0.1mF. Practical values of R_T fall between 1.8k Ω and 100k Ω . This results in a frequency range typically from 120Hz to 500kHz.

Blanking

The output pulse of the oscillator is used as a blanking pulse at the output. This pulse width is controlled by the value of C_T . If small values of C_T are required for frequency control, the oscillator output pulse width may still be increased by applying a shunt capacitance of up to 100pF from pin 3 to ground. If still greater dead-time is required, it should be accomplished by limiting the maximum duty cycle by clamping the output of the error amplifier. This can easily be done with the circuit in Figure 1:

Synchronous Operation

When an external clock is desired, a clock pulse of approximately 3V can be applied directly to the oscillator output terminal. The impedance to ground at this point is approximately 2k Ω . In this configuration R_T C_T must be selected for a clock period slightly greater than that of the external clock.

If two or more UC1524 regulators are to operated synchronously, all oscillator output terminals should be tied together, all C_T terminals connected to single timing capacitor, and the timing resistor connected to a single R_T terminal. The other R_T terminals can be left open or shorted to V_{REF} . Minimum lead lengths should be used between the C_T terminals.

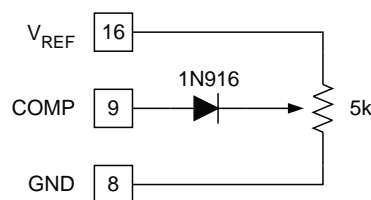


Figure 1. Error amplifier clamp.

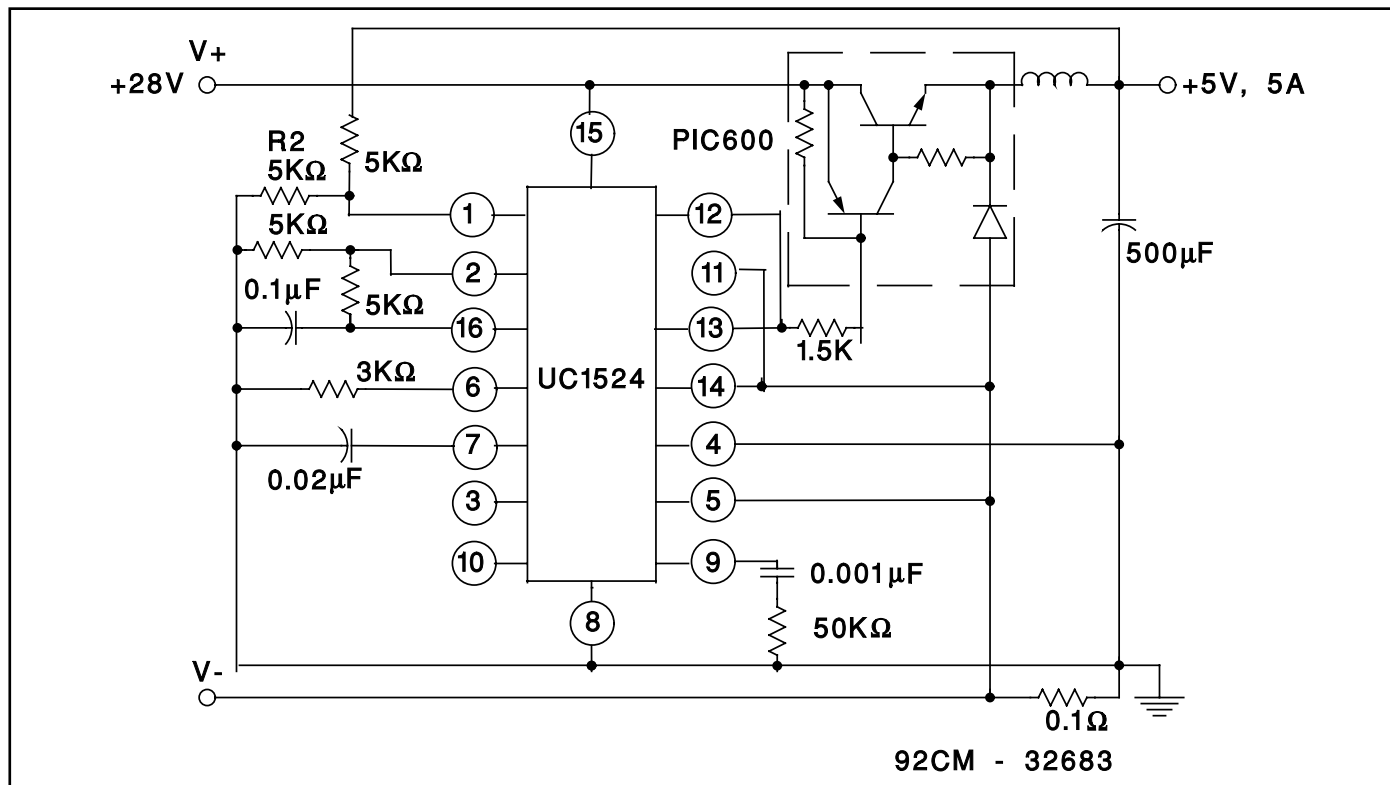


Figure 2. Single-ended LC switching regulator circuit.

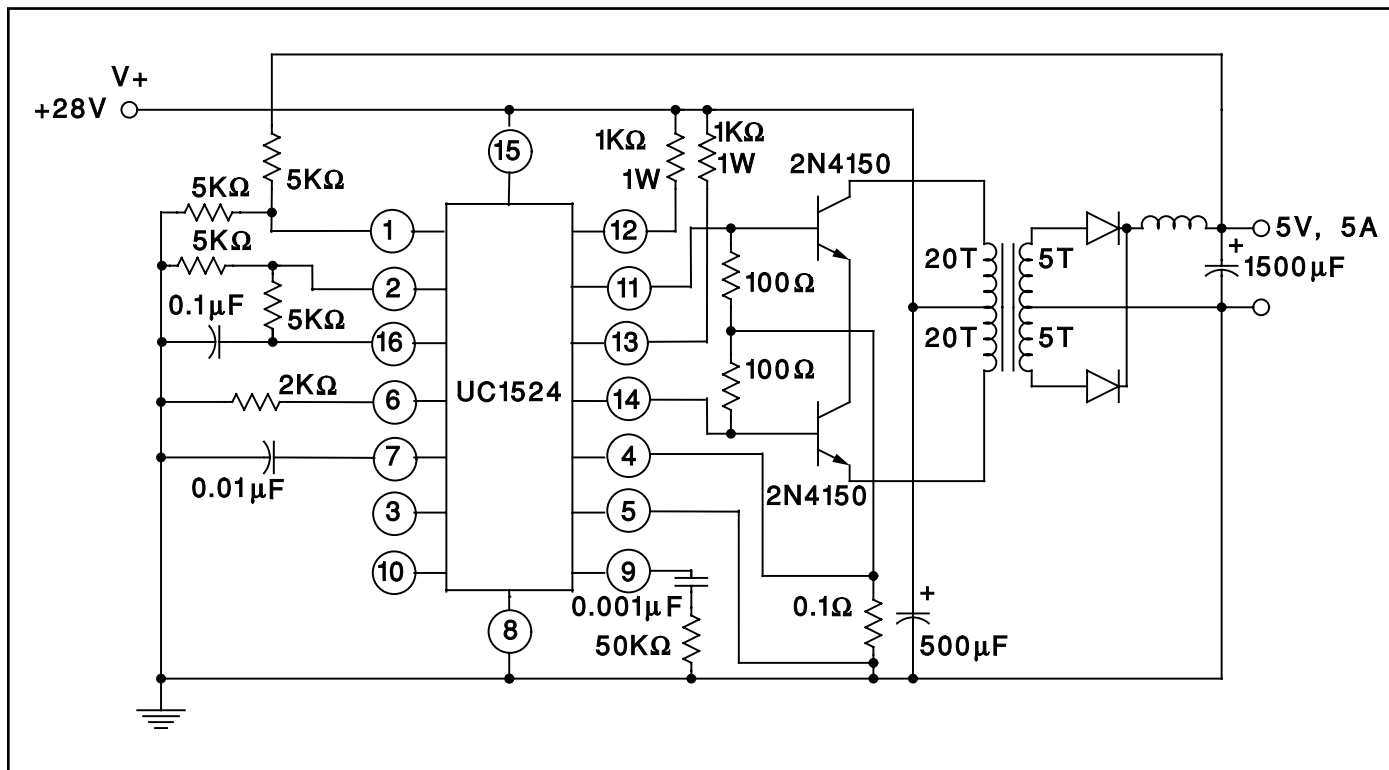


Figure 3. Push-pull transformer coupled circuit.

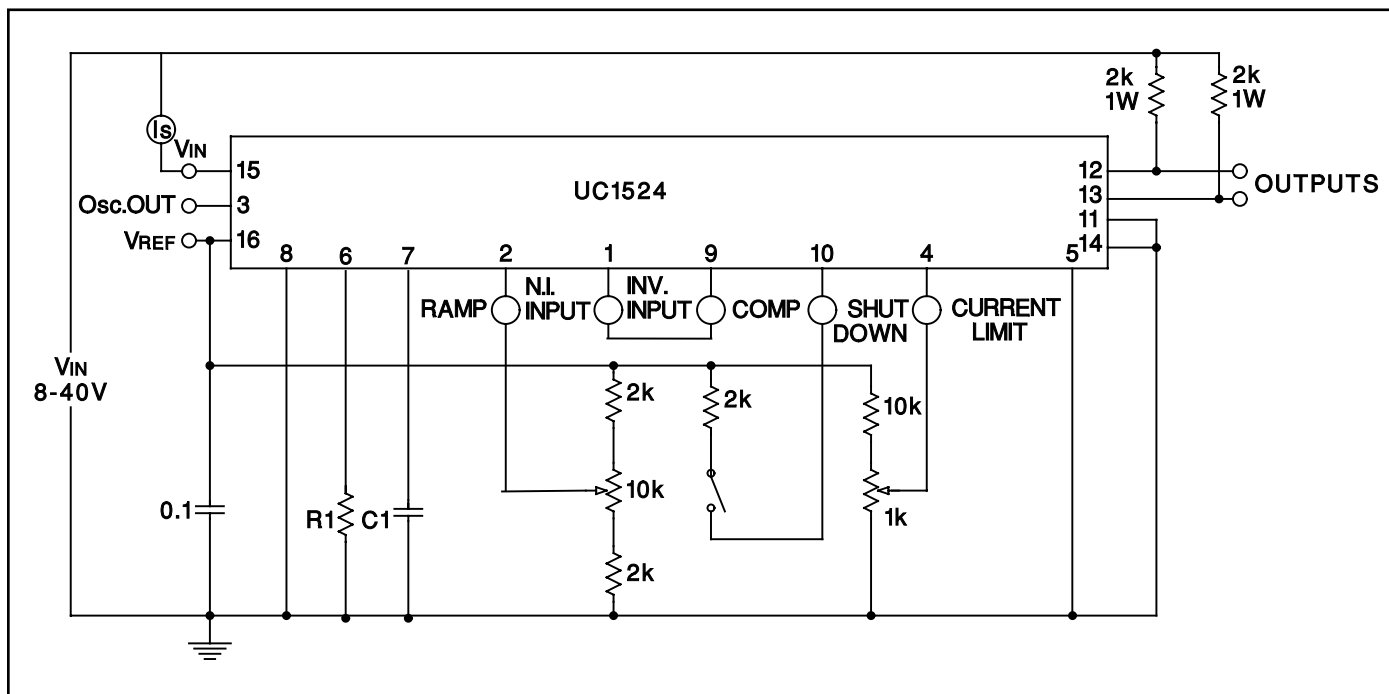


Figure 4. Open loop test circuit.

IMPORTANT NOTICE

Texas Instruments and its subsidiaries (TI) reserve the right to make changes to their products or to discontinue any product or service without notice, and advise customers to obtain the latest version of relevant information to verify, before placing orders, that information being relied on is current and complete. All products are sold subject to the terms and conditions of sale supplied at the time of order acknowledgment, including those pertaining to warranty, patent infringement, and limitation of liability.

TI warrants performance of its semiconductor products to the specifications applicable at the time of sale in accordance with TI's standard warranty. Testing and other quality control techniques are utilized to the extent TI deems necessary to support this warranty. Specific testing of all parameters of each device is not necessarily performed, except those mandated by government requirements.

Customers are responsible for their applications using TI components.

In order to minimize risks associated with the customer's applications, adequate design and operating safeguards must be provided by the customer to minimize inherent or procedural hazards.

TI assumes no liability for applications assistance or customer product design. TI does not warrant or represent that any license, either express or implied, is granted under any patent right, copyright, mask work right, or other intellectual property right of TI covering or relating to any combination, machine, or process in which such semiconductor products or services might be or are used. TI's publication of information regarding any third party's products or services does not constitute TI's approval, warranty or endorsement thereof.


TEXAS INSTRUMENTS

THE WORLD LEADER IN DSP AND ANALOG

Advanced Search
TI Home
TI&ME
Employment

Tech Support
Comments
Site Map
TI Global

Power Management

Power Management Home

> > [Power Management](#) > [PWM Power Supply Products](#) > [Voltage Mode](#)



UC3524, ADVANCED REGULATING PULSE WIDTH MODULATORS

Device Status: Active

- > [Description](#)
- > [Features](#)
- > [Datasheets](#)
- > [Pricing/Samples/Availability](#)
- > [Application Notes](#)
- > [Applications](#)

Parameter Name	UC3524
Reference Voltage (V)	5
Shutdown	Yes
Pulse - by - Pulse Isense	No
Output Type	Dual Alternating, Uncommitted
Output Current (mA)	100
Frequency (max) (kHz)	300
Vref tol (%)	8
Duty Cycle (max) (%)	50
Shutdown Current (uA)	8000
Startup Current (uA)	8000
Operating Supply (max) (V)	40
Operating Supply (min) (V)	8
PWM Outputs (#)	2
Error Amplifier GBW (mHz)	3

Description



The UC1524, UC2524 and UC3524 incorporate on a single monolithic chip all the functions required for the construction of regulating power supplies, converters or switching regulators. They can also be used as the control element for high-power-output applications. The UC1524 family was designed for switching regulators of either polarity, transformer-coupled dc-to-dc converters, transformerless voltage doublers and polarity converter applications employing fixed-frequency, pulse-width modulation techniques. The dual alternating outputs allow either single-ended or push-pull applications. Each device includes an on-chip reference, error amplifier, programmable oscillator, pulse-steering flip-flop, two uncommitted output transistors, a high-gain comparator, and current-limiting and shut-down

uncommitted output transistors, a high-gain comparator, and current-limiting and shut-down circuitry. The UC1524 is characterized for operation over the full military temperature range of -55°C to +125°C. The UC2524 and UC3524 are designed for operation from -25°C to +85°C and 0° to +70°C, respectively.

Features

- Complete PWM Power Control Circuitry
- Uncommitted Outputs for Single-ended or Push-pull Applications
- Low Standby Current...8mA Typical
- Interchangeable with SG1524, SG2524 and SG3524, Respectively

To view the following documents, [Acrobat Reader 3.x](#) is required.

To download a document to your hard drive, right-click on the link and choose 'Save'.

Datasheets

Full datasheet in Acrobat PDF: [slus180b.pdf](#) (277 KB)

Full datasheet in Zipped PostScript: [slus180b.psz](#) (273 KB)

Pricing/Samples/Availability

<u>Orderable Device</u>	<u>Package</u>	<u>Pins</u>	<u>Temp (°C)</u>	<u>Status</u>	<u>Price/unit USD (100-999)</u>	<u>Pack Qty</u>	<u>DSCC Number</u>	<u>Availability / Samples</u>
UC3524D	<u>D</u>	16	0 TO 70	ACTIVE	1.80	1		Check stock or order
UC3524DTR	<u>D</u>	16	0 TO 70	ACTIVE	1.64	1		Check stock or order
UC3524DW	<u>DW</u>	16	0 TO 70	ACTIVE	2.11	1		Check stock or order
UC3524DWTR	<u>DW</u>	16		ACTIVE	1.90	1		Check stock or order
UC3524J	<u>J</u>	16	0 TO 70	ACTIVE	4.76	1		Check stock or order
UC3524N	<u>N</u>	16	0 TO 70	ACTIVE	1.72	1		Check stock or order

Application Reports

- [ELECTROSTATIC DISCHARGE APPLICATION NOTE \(SSYA008 - Updated: 05/05/1999\)](#)
- [THERMAL CHARACTERISTICS OF LINEAR AND LOGIC PACKAGES USING JEDEC PCB DESIGNS \(SZZA017A - Updated: 09/10/1999\)](#)

Table Data Updated on: 8/11/2000