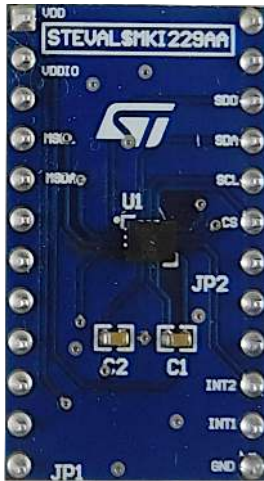


LSM6DSO16IS adapter board for a standard DIL24 socket



Features

- Complete **LSM6DSO16IS** pin-out for a standard DIL24 socket
- Fully compatible with the **STEVAL-MKI109V3** motherboard
- RoHS compliant

Description

The **STEVAL-MKI229A** is an adapter board designed to facilitate the evaluation of MEMS devices in the **LSM6DSO16IS** product family. The board offers an effective solution for fast system prototyping and device evaluation directly within the user's own application.

The **STEVAL-MKI229A** can be plugged into a standard DIL24 socket. The adapter provides the complete **LSM6DSO16IS** pin-out and comes ready-to-use with the required decoupling capacitors on the VDD power supply line.

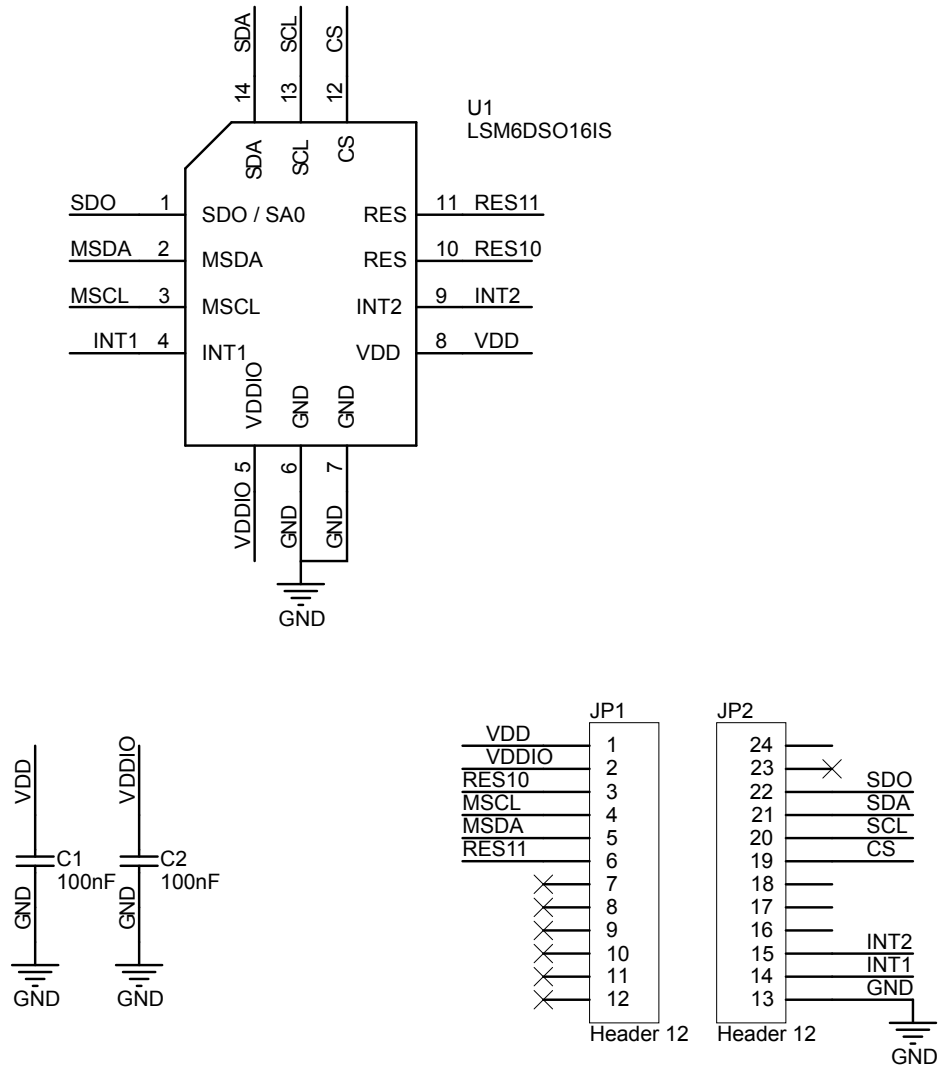
This adapter is supported by the **STEVAL-MKI109V3** motherboard, which includes a high-performance 32-bit microcontroller functioning as a bridge between the sensor and a PC, on which it is possible to use a downloadable graphical user interface (**Unico-GUI**), or dedicated software routines for customized applications.

The adapter board can be also plugged into the **X-NUCLEO-IKS01A2**, **X-NUCLEO-IKS01A3**, and **X-NUCLEO-IKS02A1** expansion boards.

Product summary	
LSM6DSO16IS adapter board for a standard DIL24 socket	STEVAL-MKI229A
iNEMO inertial module: always-on 3D accelerometer and 3D gyroscope with ISPU	LSM6DSO16IS
MEMS adapter motherboard based on the STM32F401VE	STEVAL-MKI109V3
Motion MEMS and microphone MEMS expansion board for STM32 Nucleo	X-NUCLEO-IKS02A1
Applications	Asset Tracking

1 Schematic diagrams

Figure 1. STEVAL-MKI229A circuit schematic



2 Board versions

Table 1. STEVAL-MKI229A versions

Finished good	Schematic diagrams	Bill of materials
STEVAL\$MKI229AA ⁽¹⁾	STEVAL\$MKI229AA schematic diagrams	STEVAL\$MKI229AA bill of materials

1. This code identifies the STEVAL-MKI229A evaluation board first version.

Revision history

Table 2. Document revision history

Date	Revision	Changes
30-Mar-2022	1	Initial release.

IMPORTANT NOTICE – READ CAREFULLY

STMicroelectronics NV and its subsidiaries (“ST”) reserve the right to make changes, corrections, enhancements, modifications, and improvements to ST products and/or to this document at any time without notice. Purchasers should obtain the latest relevant information on ST products before placing orders. ST products are sold pursuant to ST’s terms and conditions of sale in place at the time of order acknowledgment.

Purchasers are solely responsible for the choice, selection, and use of ST products and ST assumes no liability for application assistance or the design of purchasers’ products.

No license, express or implied, to any intellectual property right is granted by ST herein.

Resale of ST products with provisions different from the information set forth herein shall void any warranty granted by ST for such product.

ST and the ST logo are trademarks of ST. For additional information about ST trademarks, refer to www.st.com/trademarks. All other product or service names are the property of their respective owners.

Information in this document supersedes and replaces information previously supplied in any prior versions of this document.

© 2022 STMicroelectronics – All rights reserved