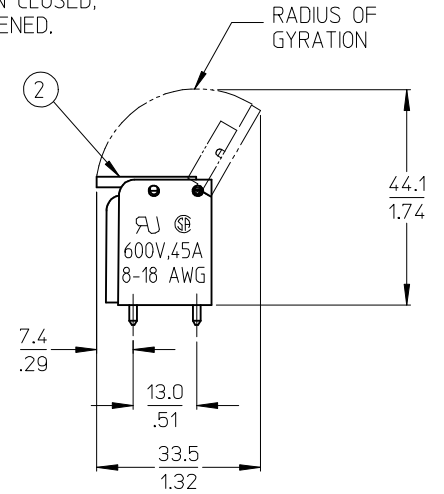
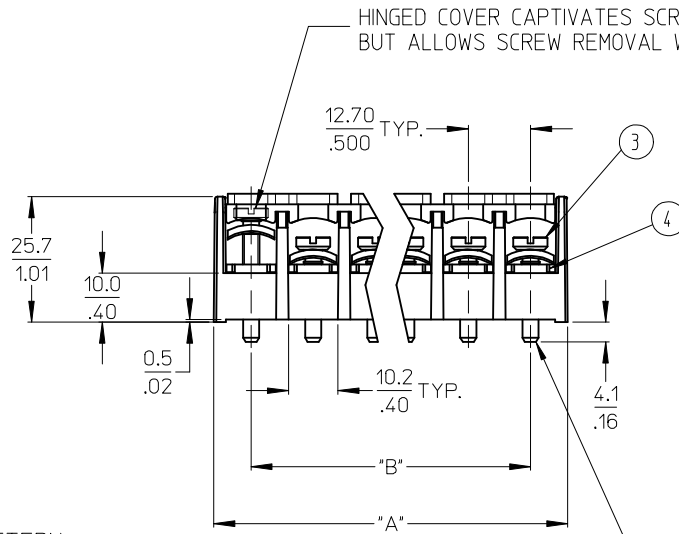
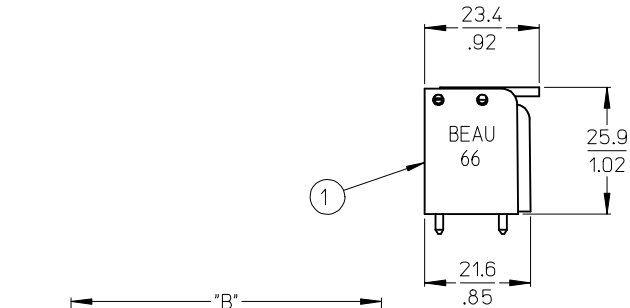
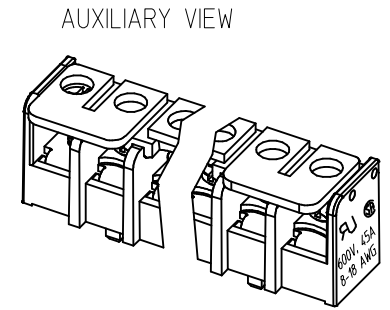
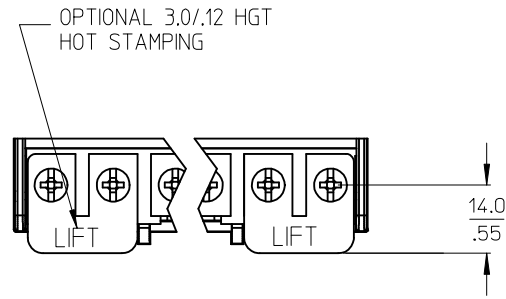


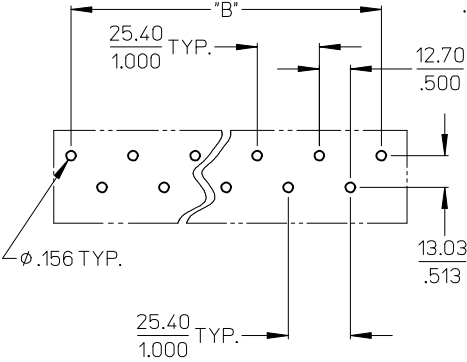
MATERIAL NUMBER	NUMBER OF CIRCUITS "XX"	"A"		"B"	
		mm	inches	mm	inches
38669-8015 (E)	3	40.9	1.61	25.4	1.00
38669-8017 (E)	4	53.6	2.11	38.1	1.50
38669-8019 (E)	5	66.3	2.61	50.8	2.00
38669-8016 (E)	6	79.0	3.11	63.5	2.50
	7	91.7	3.61	76.2	3.00
	8	104.4	4.11	88.9	3.50
	9	117.1	4.61	101.6	4.00
38669-8014 (E)	10	129.8	5.11	114.3	4.50

NOTES:

1. MATERIAL: SEE TABLE
2. "XX" REFERS TO NUMBER OF CIRCUITS
3. ALL COMPONENTS ARE ROHS COMPLIANT



RECOMMENDED PTH PATTERN
HALF SCALE



1.60 X 3.30
.063 X .130
PC TAIL, TYP.

4	XX	TERMINAL	BRASS	TIN PLATE
3	XX	SCREWS M4 X .7	STEEL	ZINC CHROMATE PLATE
2	1	HINGED COVER	POLYESTER (PBT)	BLACK
1	1	INSULATOR, SINGLE ROW	POLYESTER (PBT)	BLACK
ITEM	QTY.	DESCRIPTION	MATERIAL	FINISH

UPDATE TABLE MATERIAL NO.	DESCRIPTION
EC NO: IPG2013-0687	
DRWN: JENC INAS 2012/11/15	
CHKD: JMACNEIL 2013/01/14	
APPR: JMACNEIL 2013/02/01	

QUALITY SYMBOLS
▽=0
▽=0

GENERAL TOLERANCES (UNLESS SPECIFIED)	DIMENSION STYLE	
	MM	INCH
4 PLACES ± --- ± ---	MM/IN	
3 PLACES ± --- ± .005		
2 PLACES ± 0.13 ± .01		
1 PLACE ± 0.3 ± ---		
ANGULAR ± 2 °		

DRAWN BY	DATE
R. STONE	2003/03/05
CHECKED BY	DATE
R. KEMP	2003/07/29
APPROVED BY	DATE
P. WALTZ	2003/07/29

SCALE	DESIGN UNITS	THIRD ANGLE PROJECTION
1:1	INCH	
.500" PCB TRI-BARRIER TERMINAL STRIP W/HINGED COVER AND CAPTIVE SCREW		
MOLEX INCORPORATED		
DOCUMENT NO. SD-38669-002		SHEET NO. 1 OF 1