

NOTES:

1. MATERIALS AND FINISHES:

BODIES - BRASS, WHITE BRONZE PLATING
 CONTACT - PHOSPHOR BRONZE, GOLD PLATING
 INSULATOR - PTFE, NATURAL

2. ELECTRICAL:

A. IMPEDANCE: 50 OHM
 B. FREQUENCY RANGE: DC - 11 GHz
 C. VSWR(RETURN LOSS): 1.22 (-20 dB) MAX. @ 0 - 7 GHz
 D. DIELECTRIC WITHSTANDING VOLTAGE: 2500 VRMS, MIN.

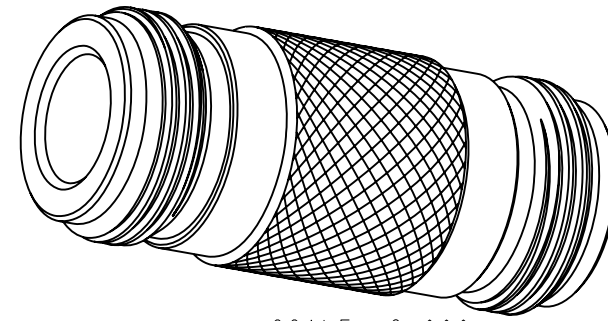
3. MECHANICAL:

A. DURABILITY: 500 CYCLES MIN.
 B. TEMPERATURE RANGE: -65°C TO +165°C

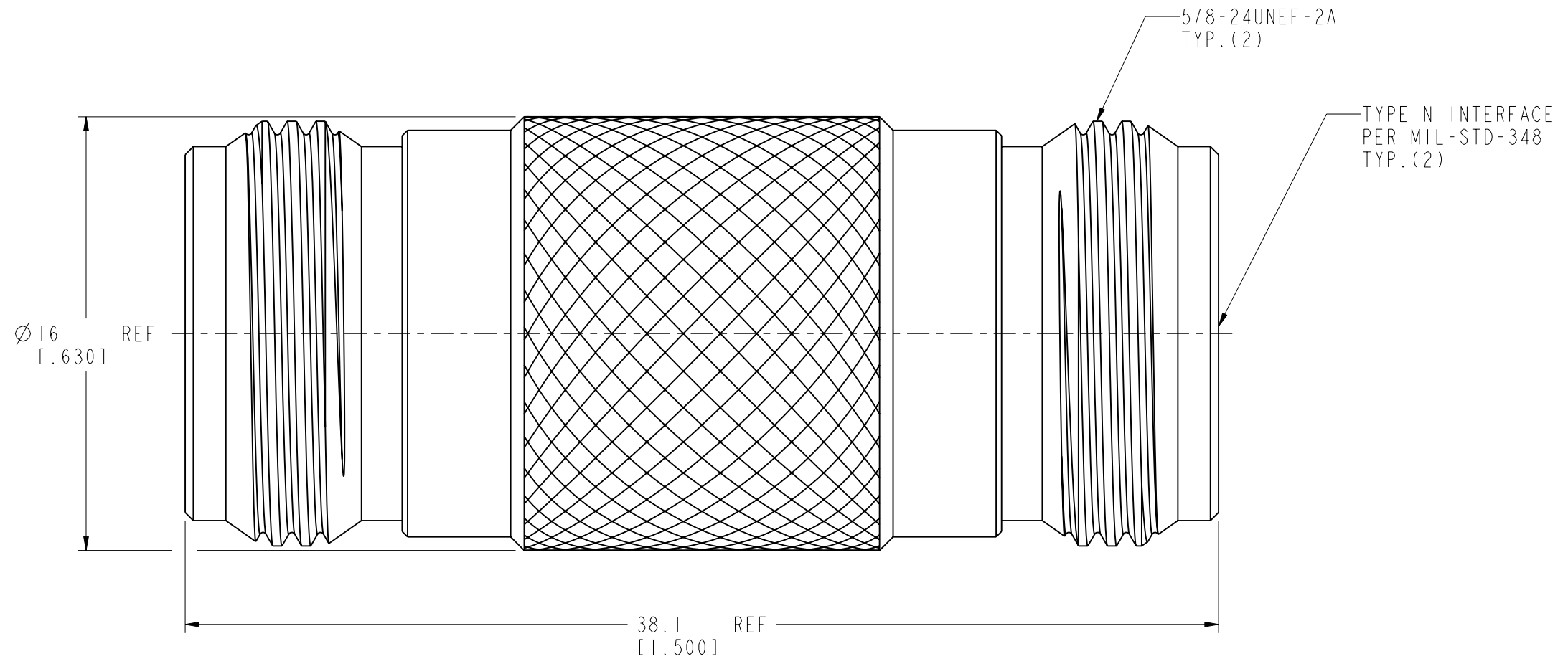
THIRD ANGLE PROJ.

REVISIONS

REV	DESCRIPTION	DATE	ECO	APPR
A	UPDATE DRAWING FORMAT	09-Dec-03	-----	GRS
B	CHANGE BODY PLATING TO NEXCOTE	16-Mar-06	-----	GRS
C	SYNC, CHANGE CROSS KJ# & ADD NOTES\RD-DMI5100601S2	15-Oct-15	50800	MZ



SCALE 2.000



CUSTOMER OUTLINE DRAWING

ALL OTHER SHEETS ARE FOR INTERNAL USE ONLY

UNLESS OTHERWISE SPECIFIED, DIMENSIONS ARE IN METRIC AND TOLERANCES ARE:
 <0.5mm ±0.05mm 0.5 - 6mm ±0.1mm 6 - 30mm ±0.2mm 30 - 120mm ±0.3mm ANGLES ±1°

NOTICE - These drawings, specifications, or other data (1) are, and remain the property of Amphenol corp. (2) must be returned upon request; and (3) are confidential and not to be disclosed to any person other than those to whom they are given by Amphenol Corp. the furnishing of these drawings, specifications, or other data by Amphenol Corp., or to any other person to anyone for any purpose is not to be regarded by implication or otherwise in any manner licensing, granting rights to permitting such holder or any other person to manufacture, use or sell any product, process or design, patented or otherwise, that may in any way be related to or disclosed by said drawings, specifications, or other data.

MATERIAL	SEE NOTES
REFERENCE AND CONFIGURATION LEVEL:	
FINISH	

DRAWN	M. ZHANG	DATE	15-Oct-15
ENGINEER	B. WYMAN	DATE	06-Oct-15
APPROVED	S. HSIEH	DATE	15-Oct-15
CAD FILE			

TITLE		ADAPTOR, N FEMALE TO N FEMALE	
SCALE: 5.0:1.0	SHEET	2 OF 2	
DWG SIZE	B	REV	C

Amphenol RF	
www.amphenolrf.com	
DRAWING NO. N7071A2-002-AT5GP-50	
ITEM NO. 037071AAG00CP5F	
PART NO. 172123	