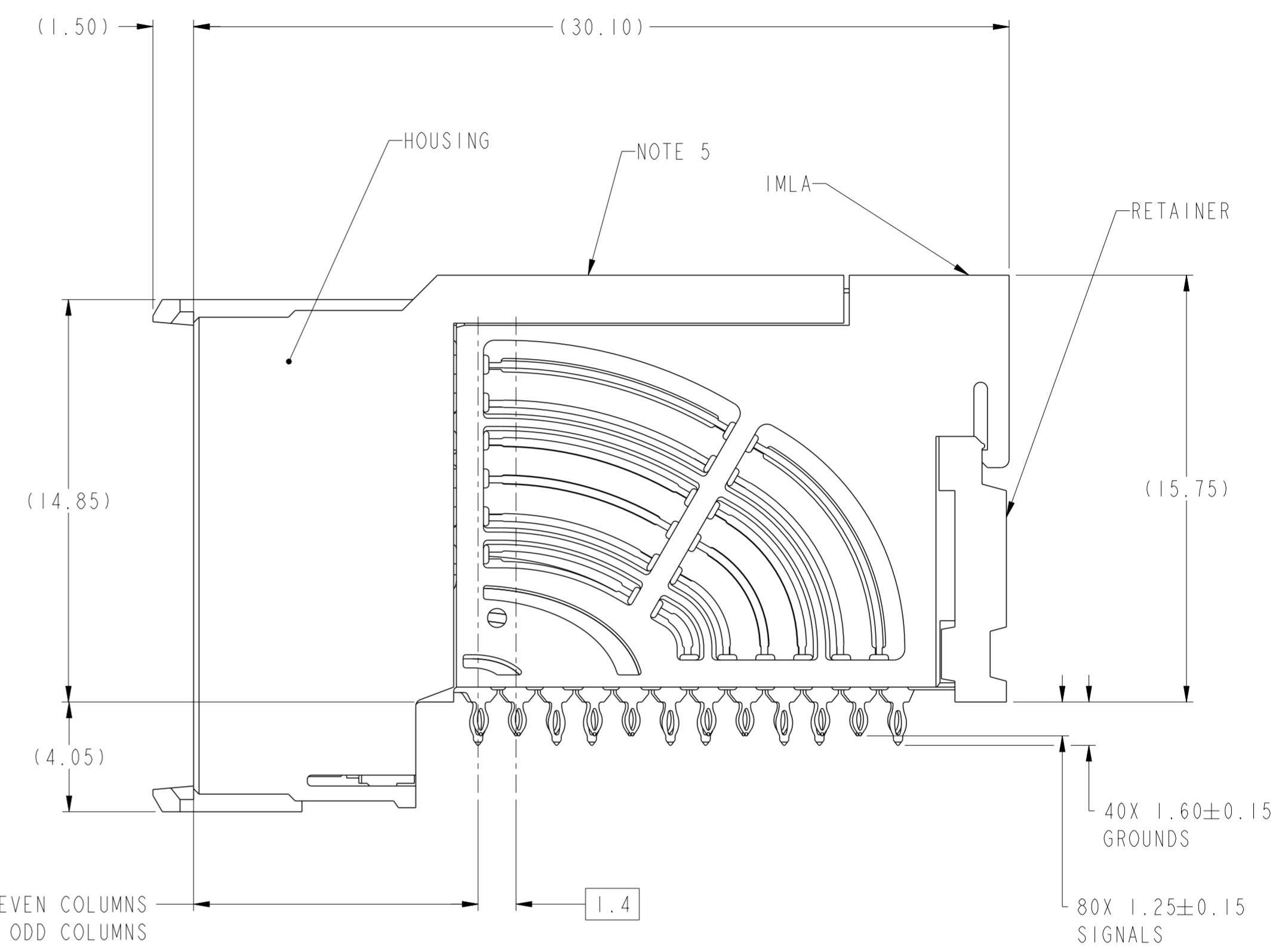
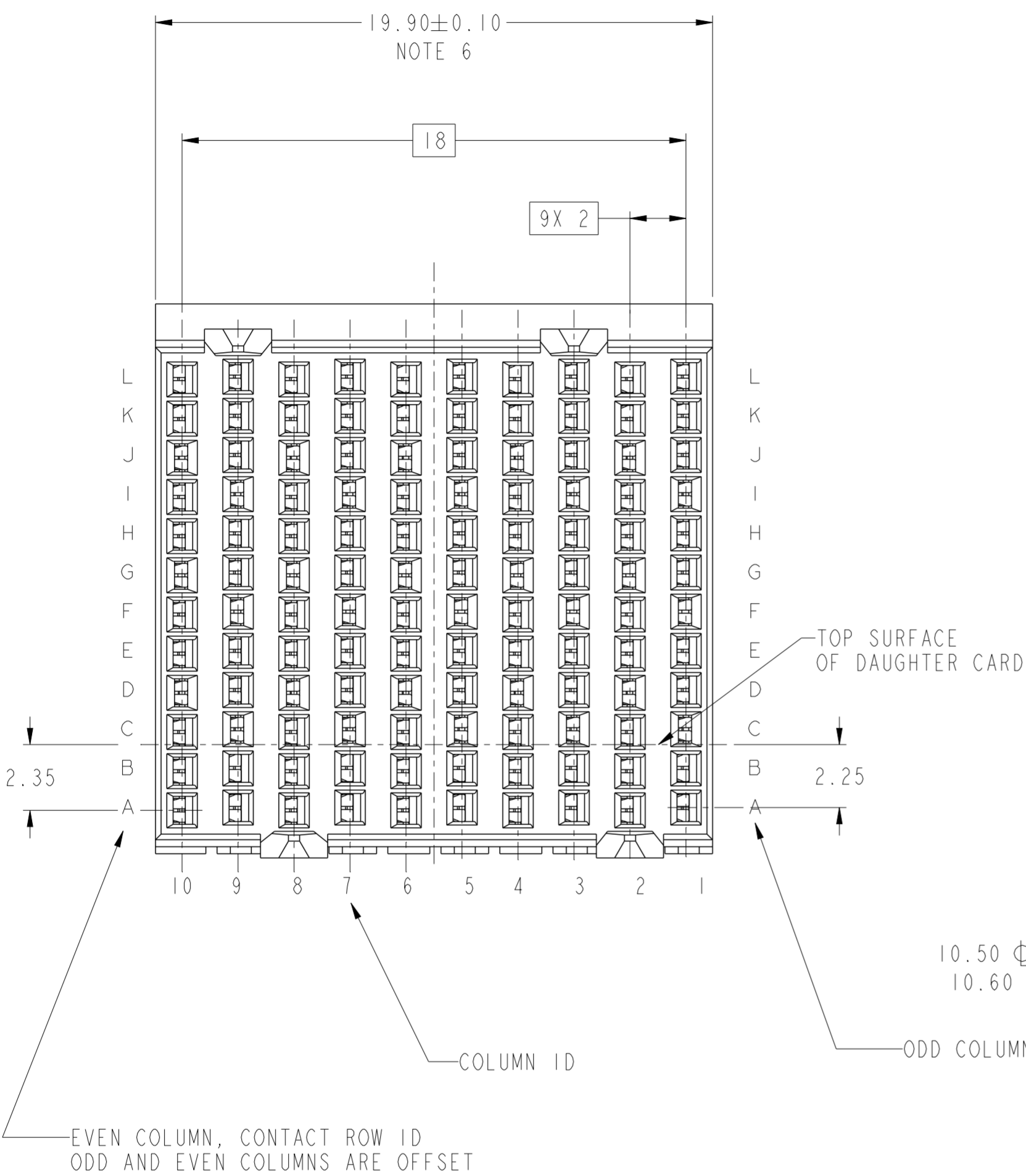


PRODUCT NUMBER
SEE SHEET 3



10.50 ϕ EVEN COLUMNS
10.60 ϕ ODD COLUMNS

Amphenol
FCi

© 2016 APCI

spec ref	---	dr	Lin-Soo Ngwe	2012/1/15	projection	MM	size	A2	scale	1:1	
tolerance std	ASME Y14.5M	eng	Terry Luo	2020/09/07			ecn no	ELX-DG-38252-1	rel level	Released	
TOLERANCES UNLESS OTHERWISE SPECIFIED		chr	-	app			Heaven Cen	2020/09/17		product family	AirMax VSE
surface	-	linear	0.X	±.3			Amphenol FCI		AIRMAX VS2 R.A. RECEPTACLE ASS'Y, 4 PAIR, 120 POS, 10 IMLA, 20MM, Small PF, GXT+	cat. no. - Product - Customer Drw	sheet 1 of 3
			0.XX	±.10			title 10123421	rev E			
			0.XXX	±.050							
		angular	0°	±°							

PDS: Rev :E

STATUS:Released

Printed: Sep 18, 2020

PRODUCT NUMBER	PRESS-FIT TAIL PLATING TYPE
10123421-101	TIN/LEAD ALLOY OVER NICKEL
10123421-101LF	TIN OVER NICKEL (LEAD FREE)

- 1 - CONNECTOR MATERIALS:
HOUSING: HIGH TEMP THERMOPLASTIC, NATURAL, UL94-V0
IMLA PLASTIC: HIGH TEMP THERMOPLASTIC, BLACK, UL94-V0
CONTACT: COPPER ALLOY
ORGANIZER: HIGH TEMP THERMOPLASTIC, NATURAL, UL94-V0
- 2 - CONTACT PLATING:
SEPARABLE INTERFACE:
GXT PLUS PLATING, QUALIFIED TO MEET THE REQUIREMENTS OF FCI PRODUCT SPECIFICATION GS-12-0956 INCLUDING TELCORDIA GR-1217-CORE (NOVEMBER 1995) CENTRAL OFFICE TEST SEQUENCE
- PRESS-FIT TAILS: SEE TABLE

- 3 - PRODUCT SPECIFICATION: GS-12-0956
- 4 - APPLICATION SPECIFICATION: GS-20-0305.

5 - PRODUCT MARKING, (PROTOTYPE, PART NUMBER & LOT CODE), ON THIS SURFACE.

6 - THE MINIMUM CENTERLINE SPACING BETWEEN ADJACENT MODULES IS 20.0 MM.

7 - CONNECTOR OUTLINE MAY BE SCREEN PRINTED ONTO CUSTOMER PCB TO BE USED AS A GUIDE FOR MANUAL CONNECTOR PLACEMENT.

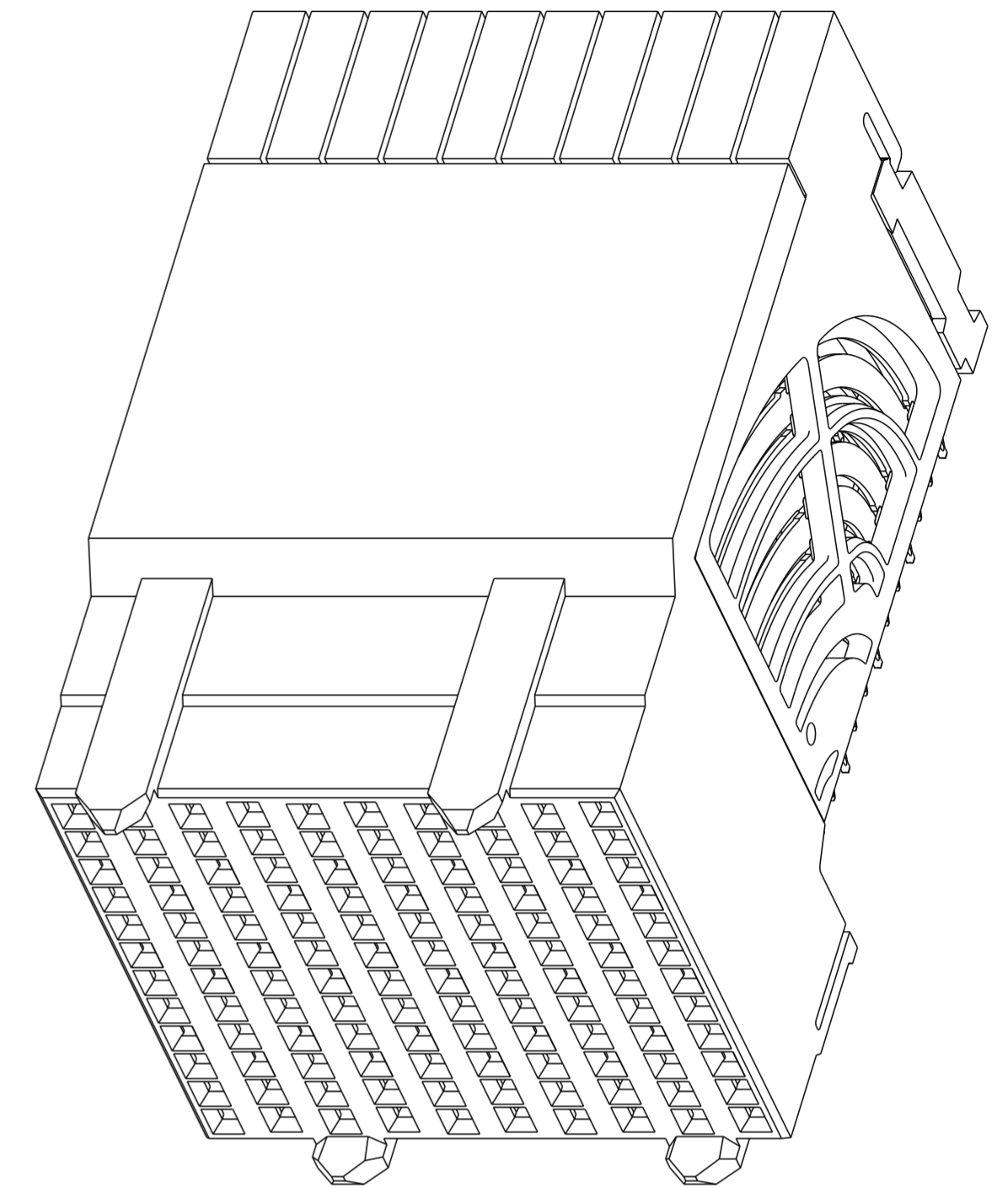
8 - REFER TO CUSTOMER DRAWING 10104444 FOR INFORMATION ON PCB HOLE DIAMETERS AND PLATING OPTIONS

9 - LEAD FREE PRODUCT MEETS THE EUROPEAN UNION DIRECTIVES & OTHER COUNTRY REGULATIONS AS DESCRIBED IN GS-22-008

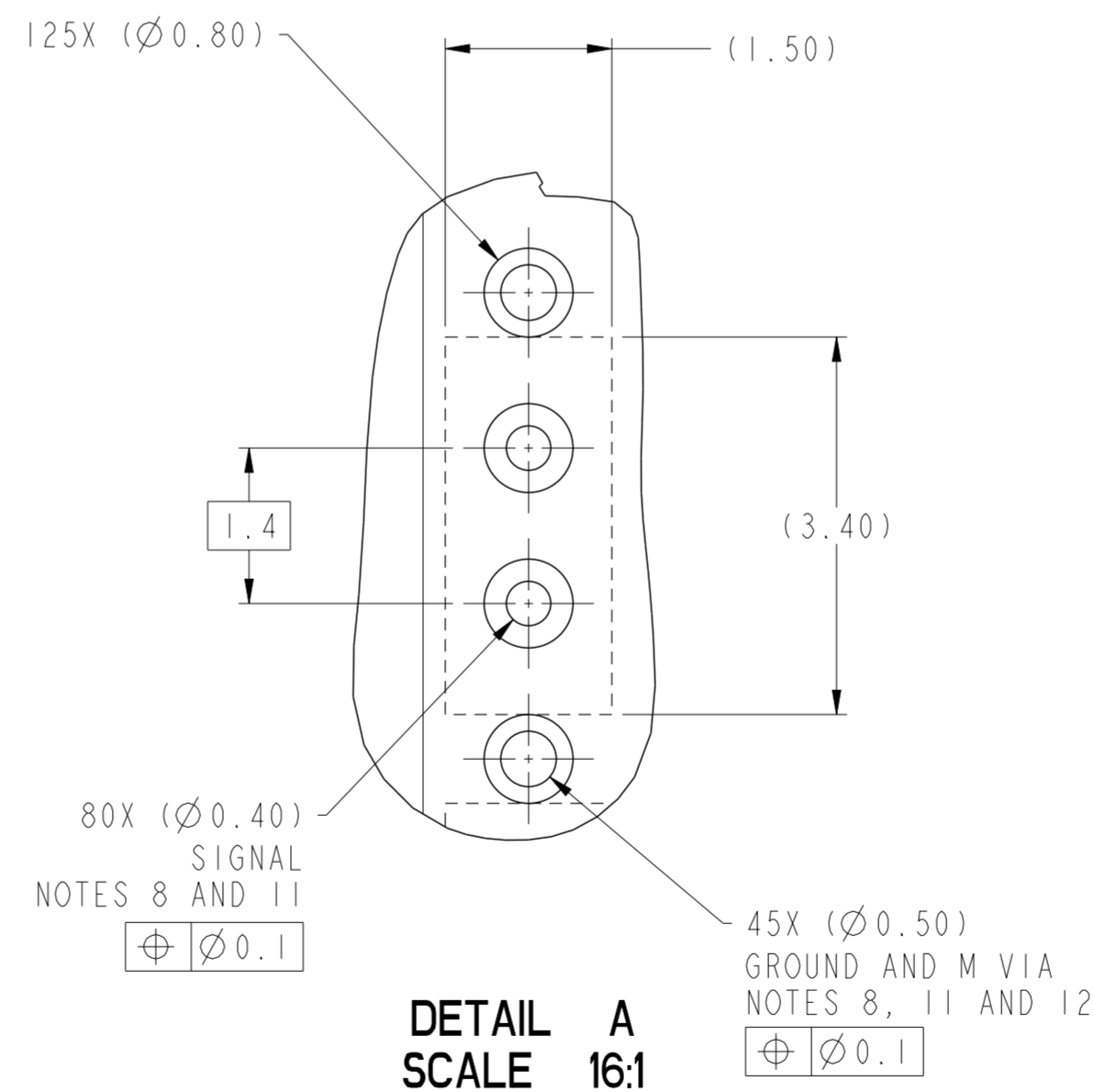
10 - PACKAGING MEETS GS-14-920 LEAD FREE LABELING SPECIFICATION.

11 - GROUND CONTACTS (C, F, I AND L IN ODD COLUMNS AND A, D, G AND J, EVEN COLUMNS) REQUIRE (Ø0.500) FINISHED HOLES. SIGNAL LOCATIONS REQUIRE (Ø0.400) FINISHED HOLES.

12 - THESE OUTER VIAS (M) ARE OPTIONAL. WHILE NO CONNECTOR EONS ARE. PRESSED INTO THESE HOLES, WE RECOMMEND (Ø 0.500) FINISHED HOLES AT THESE LOCATIONS TO PROVIDE GROUND SYMMETRY THROUGH THE PCB.



10123421-101 OR -101LF



Amphenol FCI

© 2016 AFCI

spec ref	---	dr	Lin-Soo Ngwe	2012/11/15	projection	MM	size	A2	scale	4:1												
tolerance std	ASME Y14.5M	eng	Terry Luo	2020/09/07			ecn no	ELX-DG-38252-1														
TOLERANCES UNLESS OTHERWISE SPECIFIED		chr	-				rel level	Released														
surface	<table border="1"> <tr> <td>linear</td> <td>0.X</td> <td>±.3</td> </tr> <tr> <td></td> <td>0.XX</td> <td>±.10</td> </tr> <tr> <td></td> <td>0.XXX</td> <td>±.050</td> </tr> <tr> <td>angular</td> <td>0°</td> <td>±°</td> </tr> </table>	linear	0.X	±.3		0.XX	±.10		0.XXX	±.050	angular	0°	±°	appr	Heaven Cen		product family	Airmux VS2 R.A. RECEPTACLE ASS'Y, 4 PAIR, 120 POS, 10 IMLA, 20MM, Small PF, GXT+		dwg no	10123421	
linear	0.X	±.3																				
	0.XX	±.10																				
	0.XXX	±.050																				
angular	0°	±°																				
		Amphenol FCI		cat. no.		Product - Customer Drw		rev	E													

PDS: Rev :E

STATUS:Released

Printed: Sep 18, 2020