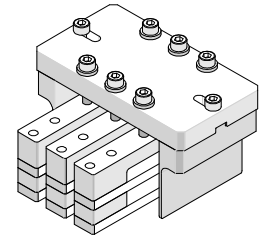




**2-by-3
zQSFP+
Extraction Tool**

**Application Tooling
Specification Sheet**



Order No. 62202-5230

FEATURES

- Used for removal of a zQSFP+ assembly from a PCB
- Removes connector from the PCB without damage to the board
- Use tool 62203-5240 to insert 71233-000x series
- Use tool 62202-5270 to insert 171233-1010
- Use tool 62202-5330 to insert 171233-5xxx series
- Use tool 200214-0090 to insert 171985 series

SCOPE

Products: zQuad Small Form-factor Pluggable Plus (zQSFP+) Cage Assembly, with Elastomeric Gasket or Metal EMI Gasket, 2 by 3 Enhanced EMI Cage Construction.

Series No.	Connector Order No.						
171233	171233-0002	171233-0003	171233-0004	171233-1010	171233-5002	171233-5003	171233-5004
171985	171985-1000	171985-2001	171985-2002	171985-2003	171985-7701		

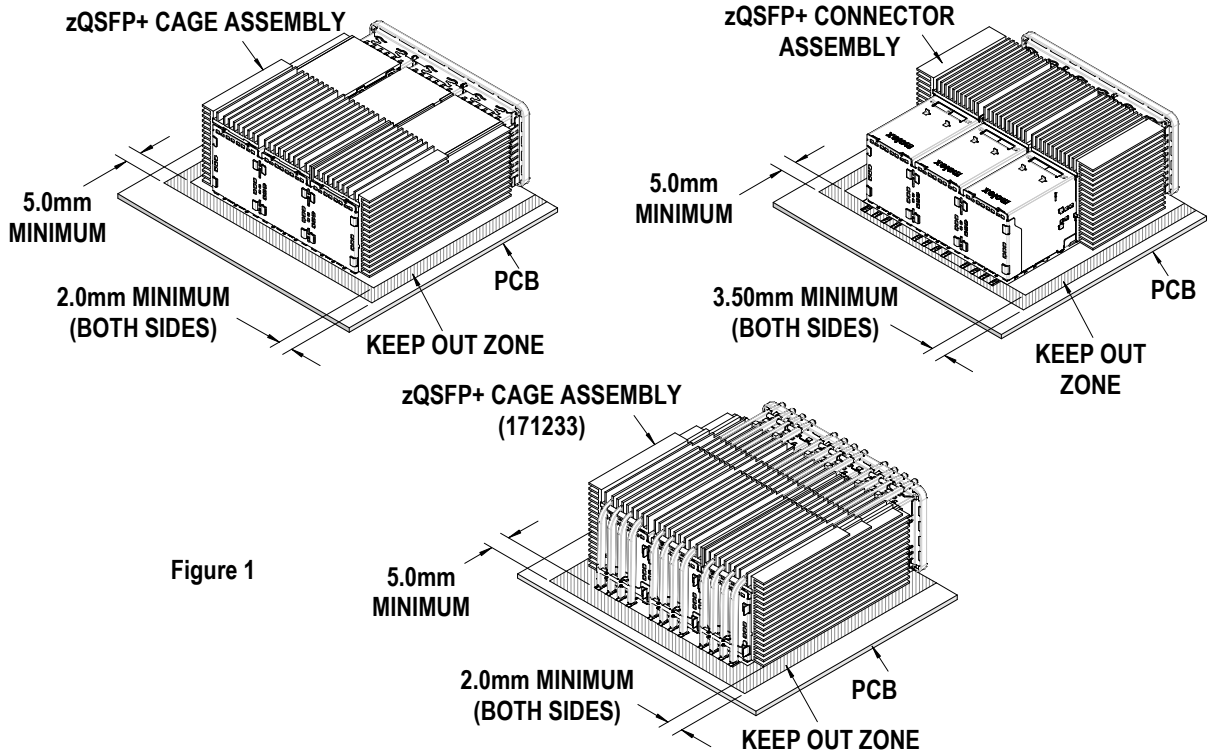
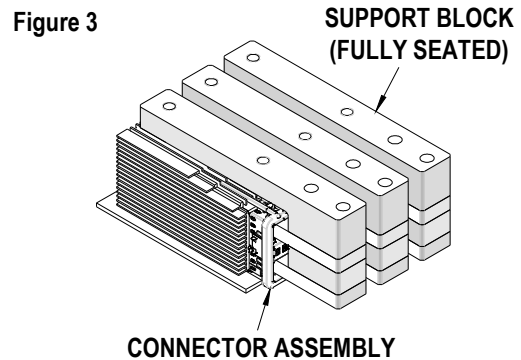
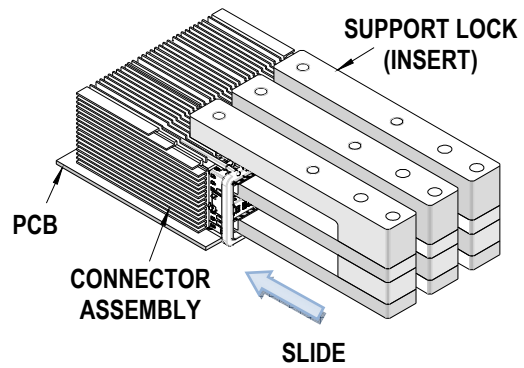
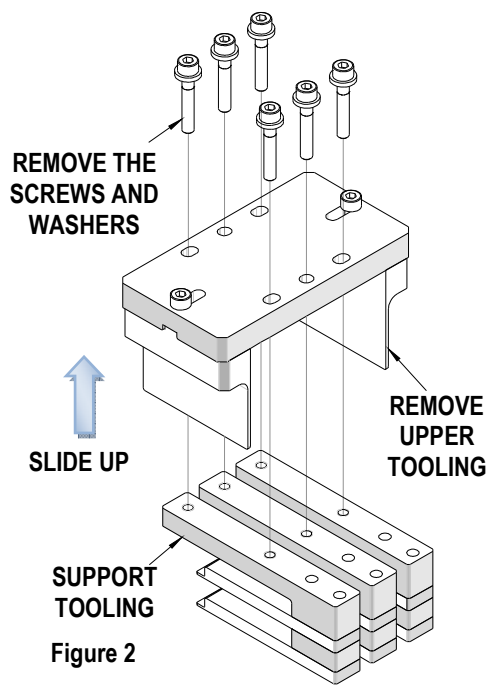


Figure 1

Notes:

1. See the following pages for tooling operation instructions.
2. These tools require a “Keep Out Zone” around the connector free of components. The right and left sides should be 2mm (0.08”) and the rear of the connector should be 5.0mm (.197”). See Figure 1.

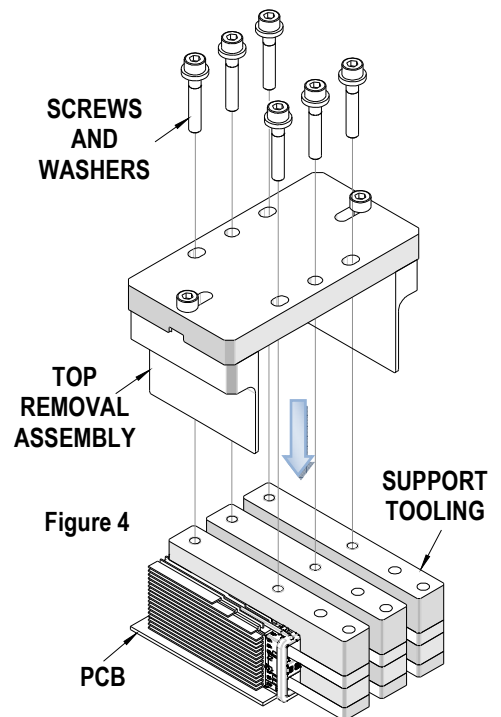


Description

The following Instructions are used for removing a 2-by-3 connector from a PCB.

Operation

1. Disassemble the (2) halves by unscrewing the screws on the top of the “upper tooling”. See Figure 2.
2. Remove the upper tooling from the support tooling.
3. Insert the support tooling into the cage ports until it is fully seated. See Figure 3.
4. Place the top removal assembly over the support tooling and the cage assembly, aligning the screw holes of the top removal assembly with the threaded holes in the support blocks. See Figure 4.
5. If the top removal assembly does not fit over the cage, the side supports of the top assembly can be adjusted farther from the cage sides.
6. Place the washers and M5 screws into the holes in the top removal assembly; turn the screws clockwise until they are started in the support blocks.



- Using a 4mm hex wrench, tighten each screw, one turn in an alternating pattern until the cage assembly is removed from the PCB. See Figure 5.

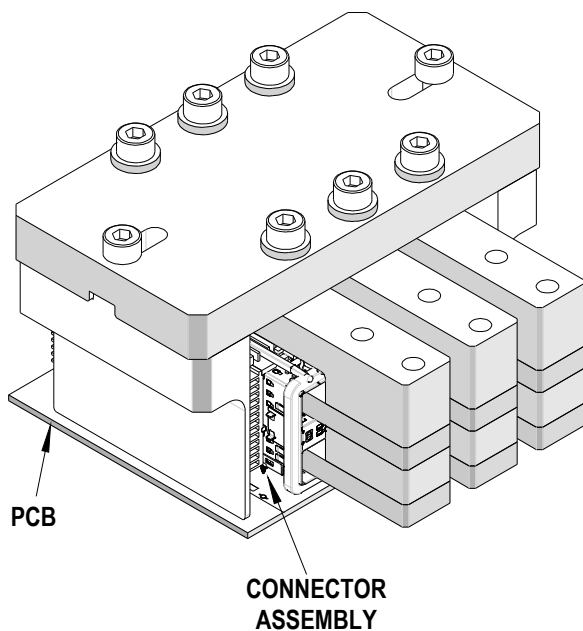
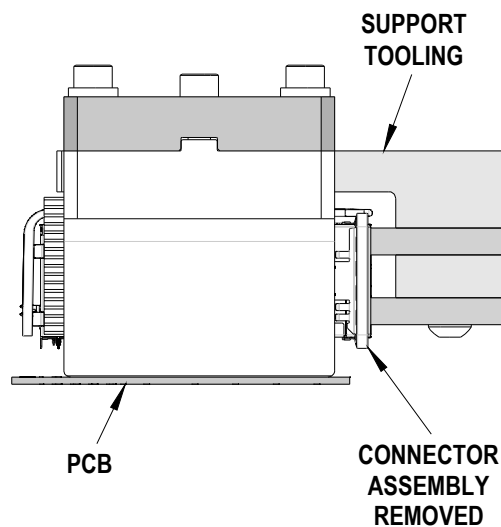


Figure 5



CAUTION: Molex application tooling specifications are valid only when used with Molex connectors and tooling.

Contact Information

For more information on Molex application tooling please contact Molex at 1-800-786-6539.

Visit our Web site at <http://www.molex.com>