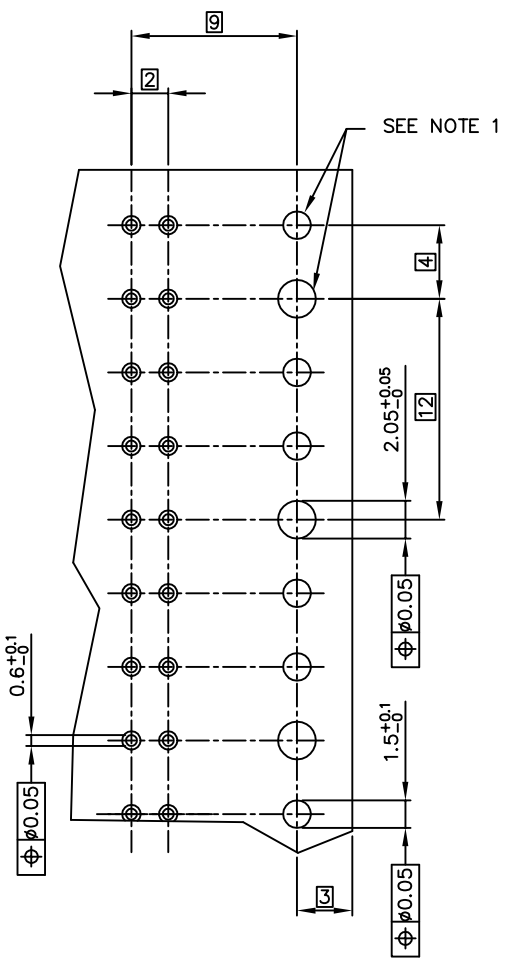
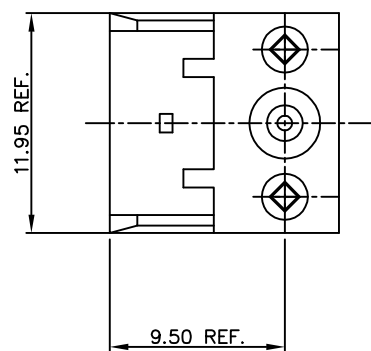
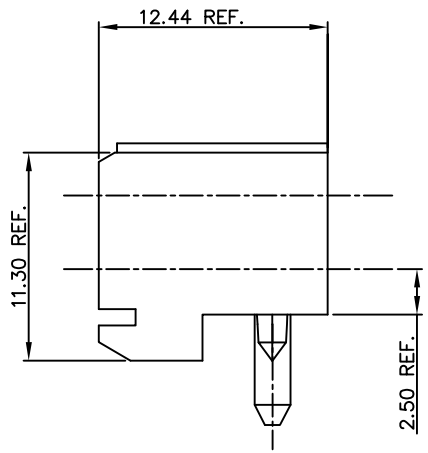
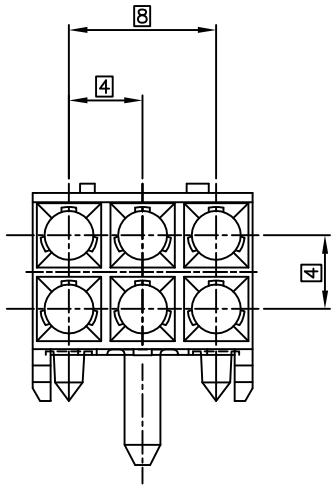
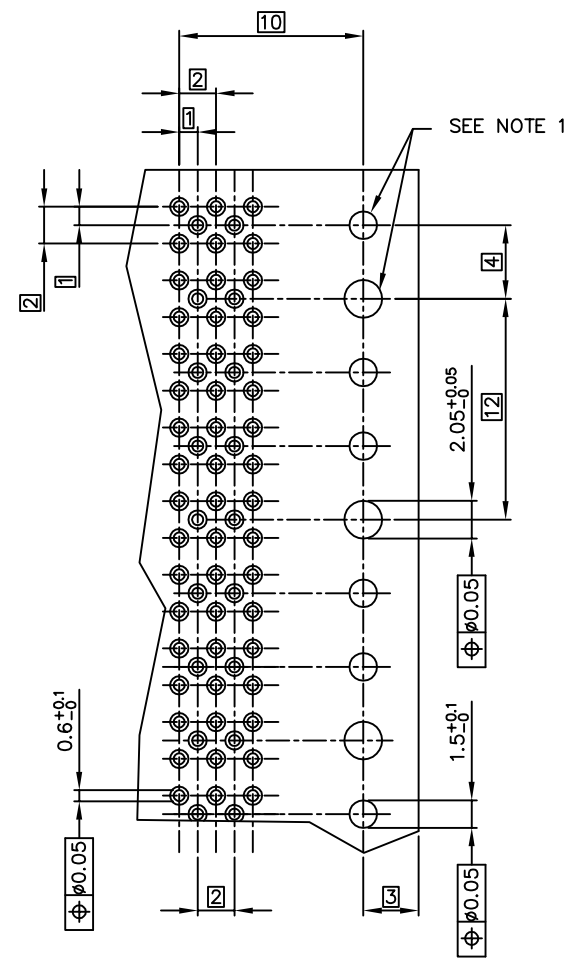


PRODUCT # 70244-101LF

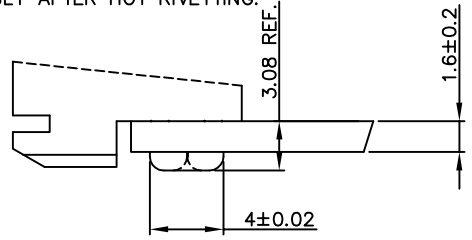


RECOMMENDED HOLE PATTERN,
COMPONENT SIDE.
MINI-POWER



RECOMMENDED HOLE PATTERN,
COMPONENT SIDE.
MINI-COAX

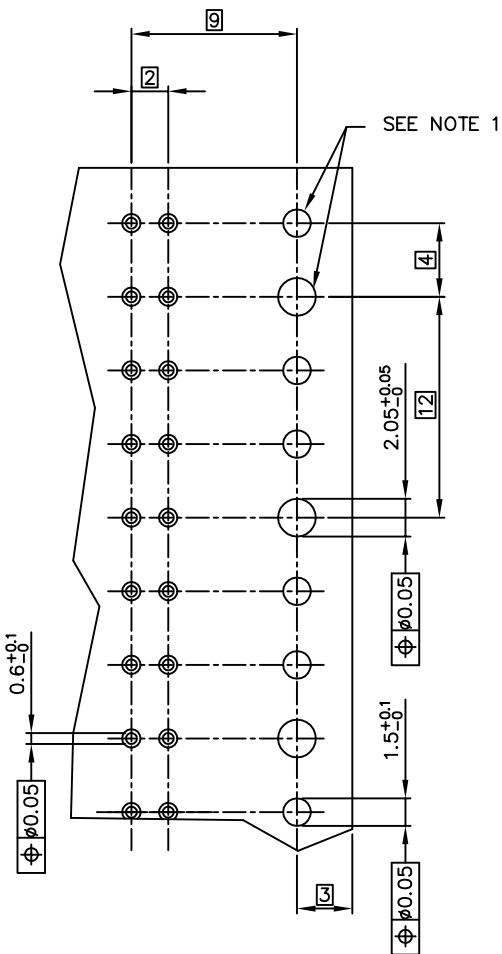
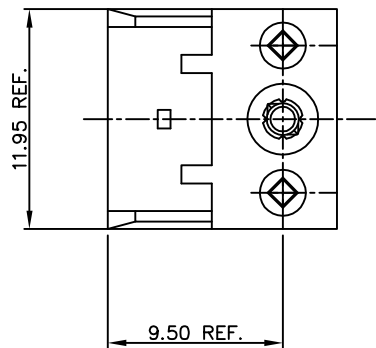
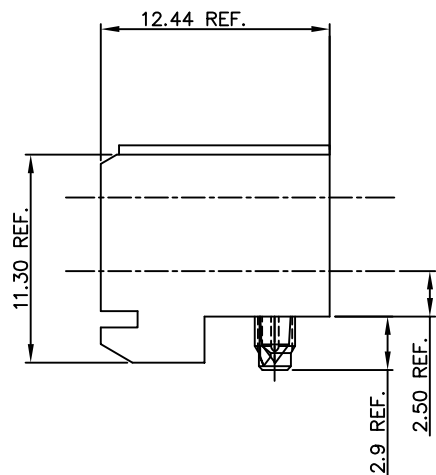
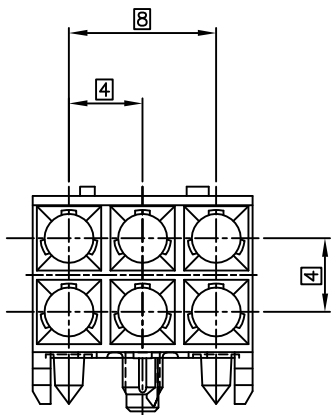
ASSEMBLY AFTER HOT RIVETTING.



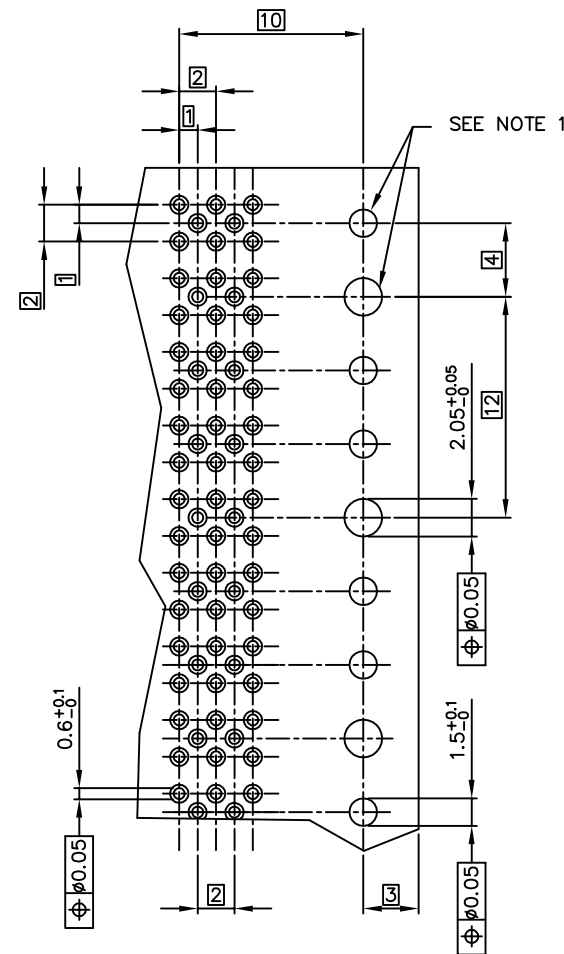
- NOTE:
- INDICATED HOLES ARE UNPLATED.
 - MATERIAL:
LIQUID CRYSTAL POLYMER 30% GLASS
FLAME RETARDANT ACC. UL 94-V0
COLOR NATURAL.
 - THIS PRODUCT WITH "LF" SUFFIX MEETS EUROPEAN UNION DIRECTIVES AND OTHER COUNTRY REGULATIONS AS DESCRIBED IN GS -22-008.
 - THE HOUSING WILL WITHSTAND EXPOSURE TO 260 DEGREE PEAK TEMPERATURE FOR 10 SECONDS IN A WAVE SOLDER APPLICATION WITH A 1.6mm MINIMUM THICK CIRCUIT BOARD.

mat'l. code SEE NOTE 2		tolerances unless otherwise specified		CUSTOMER COPY	ELECTRONICS www.fciconnect.com	
ltr	ecn no	dr	date	projection 1 2	title R.A. RECEPTACLE	code 213
H	005-0357	Clu	050927			
linear				mm	product family MINI-POWER/COAX HEAT STAKE	sheet 1 of 2
C	H20755	DAN	921124			
D	H40355	DOB	940616	dr	D Andrews	910912
E	H50047	RVI	950119	eng	E. Feijen	940616
F	H80710	DOB	981023	chr	Av Zanten	910912
G	H90489	HME	990816	app	H. Cozijmans	950119
sheet	revision	H	H	scale	5:1	
Index	sheet	1	2	size	A2	
70244				sheet	1 of 2	

PRODUCT NUMBER 70244-102LF

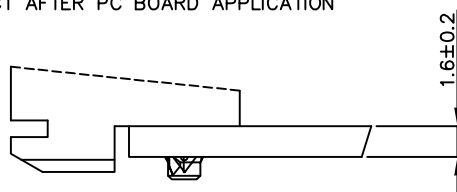


RECOMMENDED HOLE PATTERN,
COMPONENT SIDE.
MINI-POWER



RECOMMENDED HOLE PATTERN,
COMPONENT SIDE.
MINI-COAX

PRODUCT AFTER PC BOARD APPLICATION



NOTE:

- INDICATED HOLES ARE UNPLATED.
- MATERIAL:
LIQUID CRYSTAL POLYMER 30% GLASS
FLAME RETARDANT ACC. UL 94-V0
COLOR NATURAL.
- THIS PRODUCT WITH "LF" SUFFIX MEETS EUROPEAN UNION DIRECTIVES AND OTHER COUNTRY REGULATIONS AS DESCRIBED IN GS -22-008.
- THE HOUSING WILL WITHSTAND EXPOSURE TO 260 DEGREE PEAK TEMPERATURE FOR 10 SECONDS IN A WAVE SOLDER APPLICATION WITH A 1.6mm MINIMUM THICK CIRCUIT BOARD.

mat'l. code SEE NOTE 2		tolerances unless otherwise specified		CUSTOMER COPY		ELECTRONICS www.fciconnect.com	
ltr	ecn no	dr	date	linear	projection	title R.A. RECEPTACLE	
H				angles	ϕ	MINI-POWER/COAX PRESS PEG	
		dr	D. de Bill	940616	mm	product family	code
		eng	E. Feijen	940616		CONTROL (tm)	213
		chr	E. Feijen	940616	scale	product no	sheet
		app	H. Cozijnans	950119	5:1	70244	2 of
sheet	revision						
Indx	shee						

PDM: Rev.H

STATUS: Released

Printed: May 19, 2011