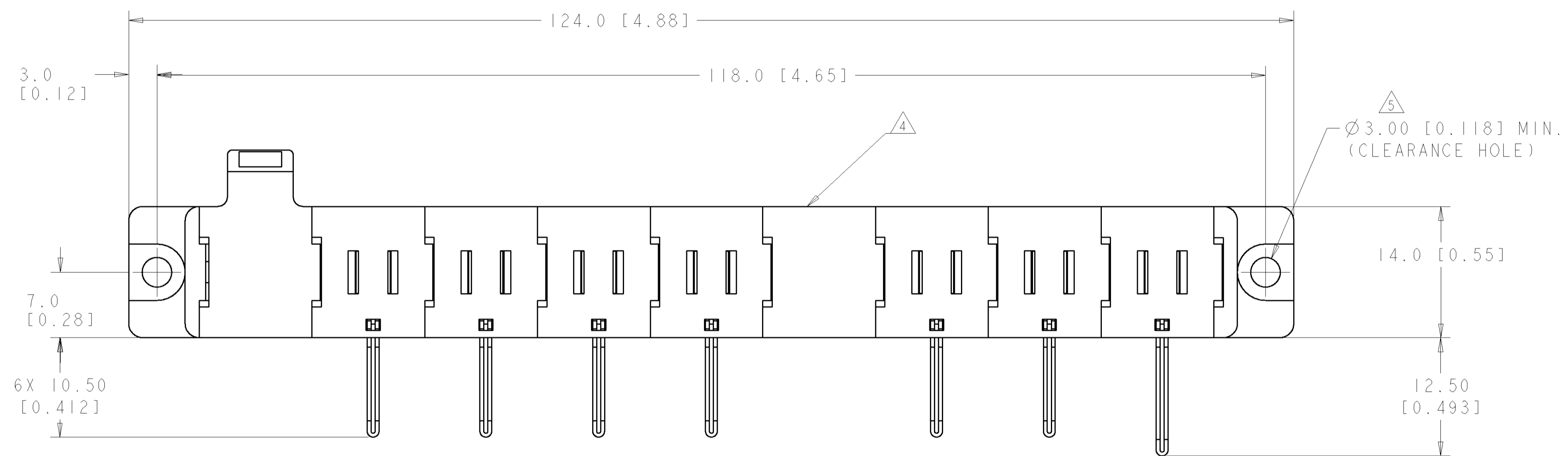


LOC	DIST	REVISIONS			
P	LTR	DESCRIPTION	DATE	DWN	APVD
A		RELEASED	20JULY06	RG	SF

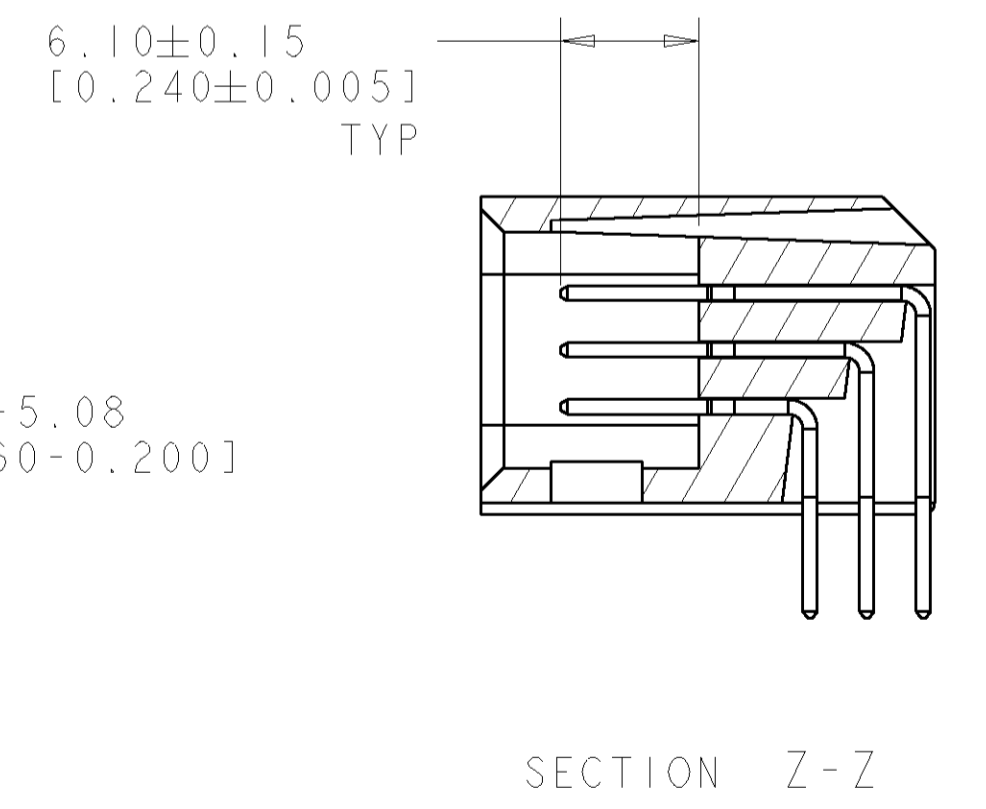
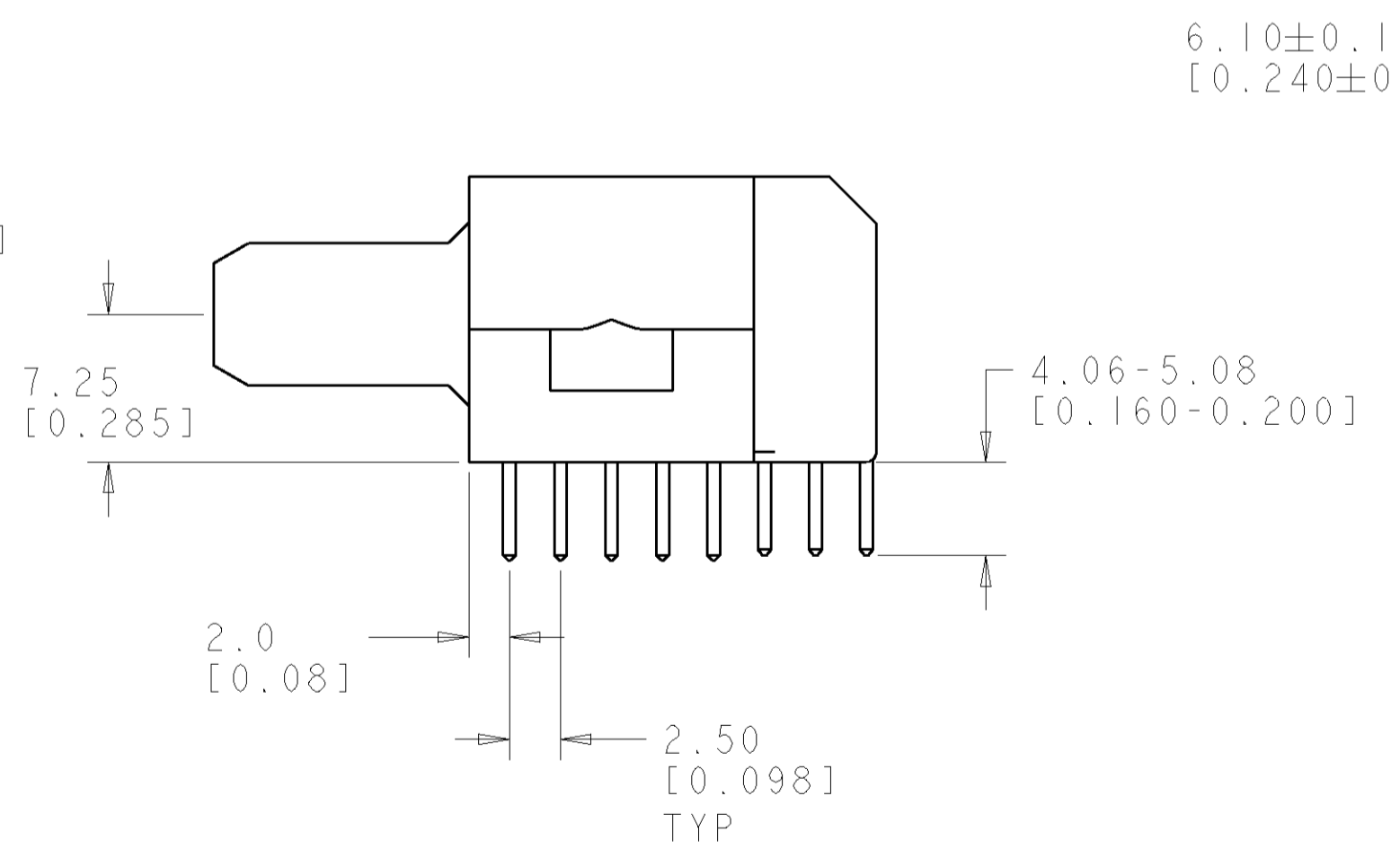
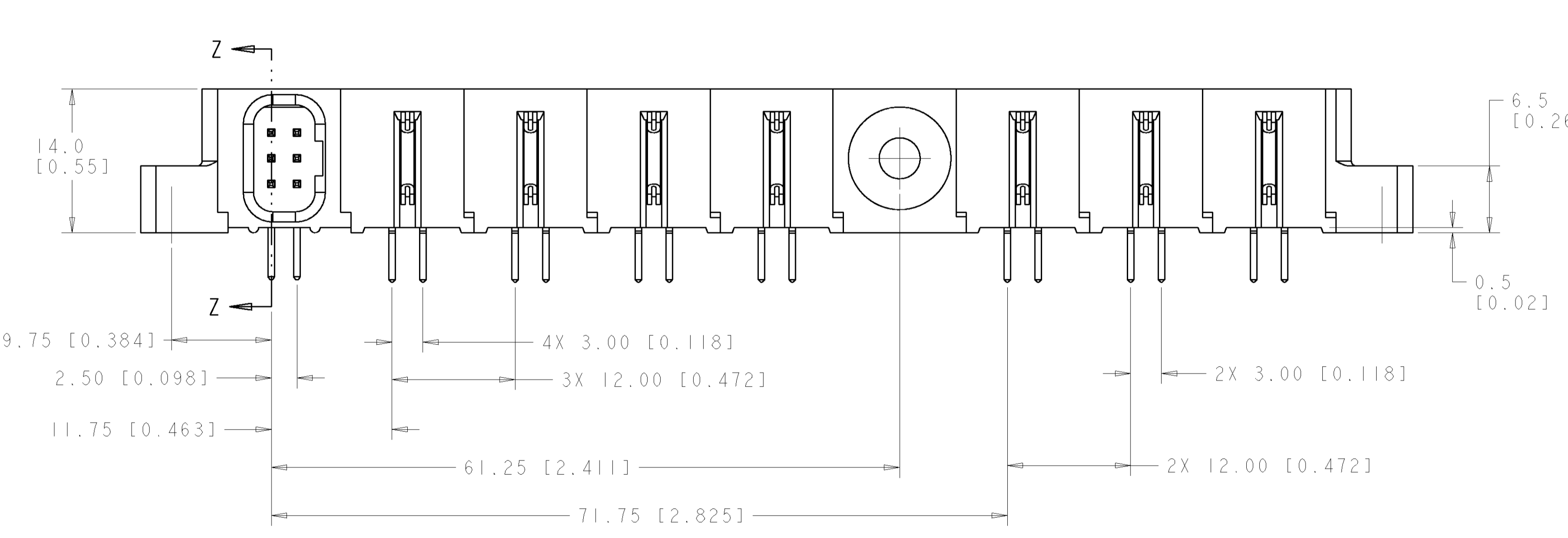


- PART NUMBER CHANGES AND OR DESIGN CHANGES AFFECTING ITEM INTERCHANGEABILITY REQUIRE PRIOR TYCO APPROVAL AND AUTHORIZATION BY REVISION TO THIS DRAWING.
- MATERIAL:
 - INSULATORS - THERMOPLASTIC, GLASS REINFORCED, COLOR: BLACK, UL94V-0 FLAMMABILITY RATED.
 - POWER CONTACTS - PHOSPHOR BRONZE ALLOY, COPPER ALLOY
 - SIGNAL CONTACTS - BRASS ALLOY
 - CROWN BANDS: BERYLLIUM COPPER
- FINISH:
 - CONTACTS - GOLD PLATE .000030 INCH MIN. THK. OVER NICKEL .000050 INCH MIN. THK. SOLDER TAILS, TIN .000100 INCH MIN. THK OVER NICKEL .000050 MIN THK.

ITEMS PROVIDED TO THIS SPECIFICATION TO BE PERMANENTLY IDENTIFIED PER THE FOLLOWING IDENTIFIER LABEL

YEAR WEEK
 TYCO PART NO. DATE CODE (e.g. 0106)
 XXXXXXXX-X XXXX

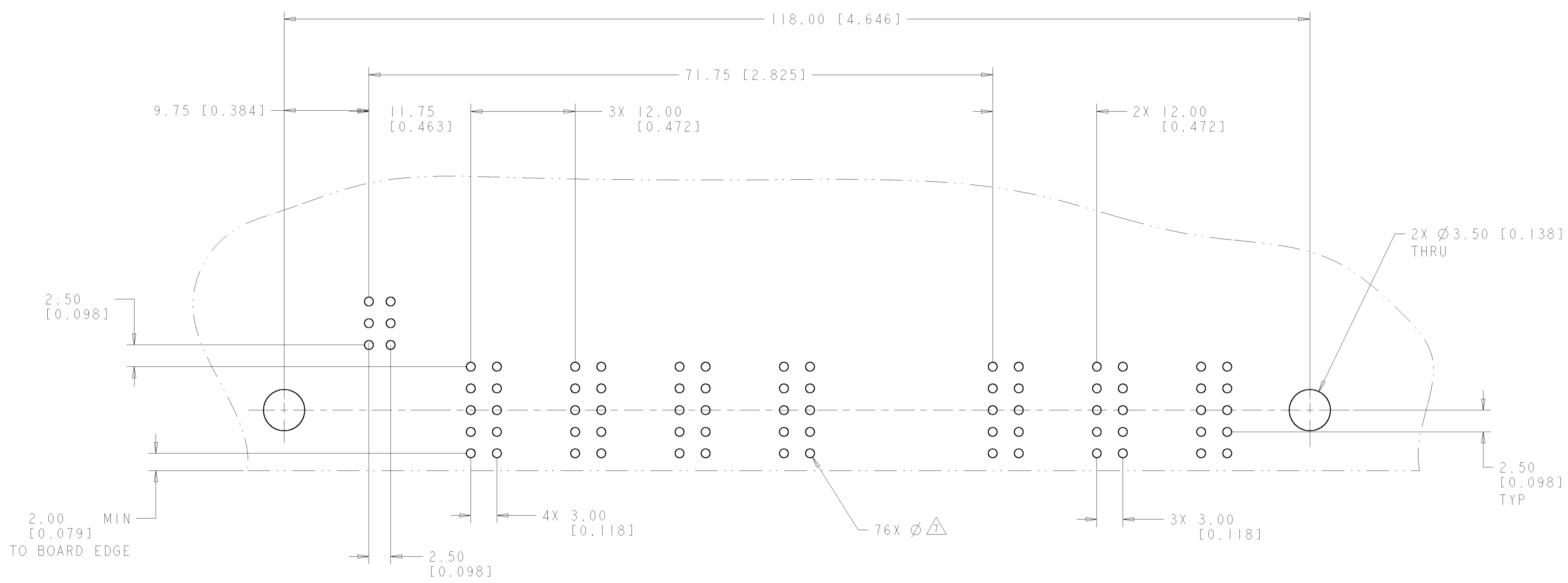
MOUNTING FLANGES ACCEPT M3 OR NO.4 SCREWS, (USER SUPPLIED)



ELCON FLATPAQ

AS SHOWN		6646722-1	
DESCRIPTION		PART NUMBER	
DIMENSIONS: mm [INCHES] TOLERANCES UNLESS OTHERWISE SPECIFIED: 0 PLC ±.5 [0.020] 1 PLC ±.5 [0.020] 2 PLC ±.25 [0.010] 3 PLC ±.25 [0.010] 4 PLC ±.25 [0.010] ANGLES ±.5 FINISH -		DWN R. GRZYBOWSKI 15NOV06 CHK P. DAMATO 15NOV06 APVD S. FLICKINGER 15NOV06 PRODUCT SPEC - APPLICATION SPEC - WEIGHT - CUSTOMER DRAWING	
MATERIAL - FINISH -		NAME: tyco Tyco Electronics Harrisburg, PA 17105-3608 RIGHT ANGLE PIN CONNECTOR SOLDER TAILS AND LAYOUT SIZE: A 00779 C=6646722 SCALE: 3:1 SHEET 1 OF 3 REV A	

LOC	DIST	REVISIONS					
GP	00	P	LTR	DESCRIPTION	DATE	DWN	APVD
-	-	-	-	SEE SHEET 1	-	-	-



PRINTED CIRCUIT LAYOUT
 COMPONENT SIDE

CONNECTOR	CATALOG MODULE #	QTY	SIZE NO.	CONTACT QTY	MATING PIN	MAX. CURRENT (PER CONTACT)	CONTACT SPACING	VOLTAGE RATING
PIN	FPI21	6	8	6	1.25 X 7.00 [.049 X .276]	35 amps	12.00 [.472]	600
	FPI22	1	8	1	1.25 X 7.00 [.049 X .276]	35 amps	12.00 [.472]	600
	FP314	1	22	24	.64 SQ. [.025]	3 amps	2.50 [.0984]	125
	FP0506	1	RIGHT ANGLE GUIDE SOCKET					
	FP0500	1	LEFT MOUNTING FLANGE					
	FP0501	1	RIGHT MOUNTING FLANGE					

ELCON FLATPAQ

DIMENSIONS: mm [INCHES]		TOLERANCES UNLESS OTHERWISE SPECIFIED: 0 PLC ±.5 [.020] 1 PLC ±.5 [.020] 2 PLC ±.25 [.010] 3 PLC ±.25 [.010] 4 PLC ±.25 [.010] ANGLES ±.5		DWN B. GRZYBOWSKI ISNOV06 CHK P. DAMATO ISNOV06 APVD S. FLICKINGER ISNOV06		tyco Tyco Electronics Harrisburg, PA 17105-3608	
MATERIAL: - FINISH: -		WEIGHT: - CUSTOMER DRAWING		NAME: RIGHT ANGLE PIN CONNECTOR SOLDER TAILS AND LAYOUT		SIZE: A 00779 C=6646722 SCALE: 3:1 SHEET 2 OF 3 REV A	

