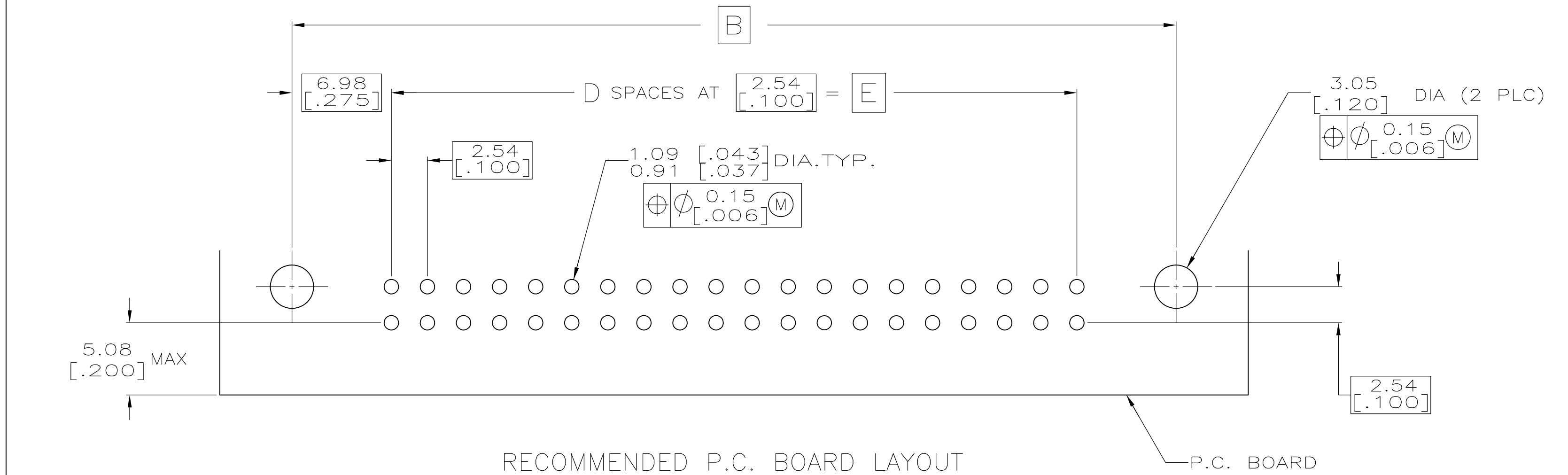
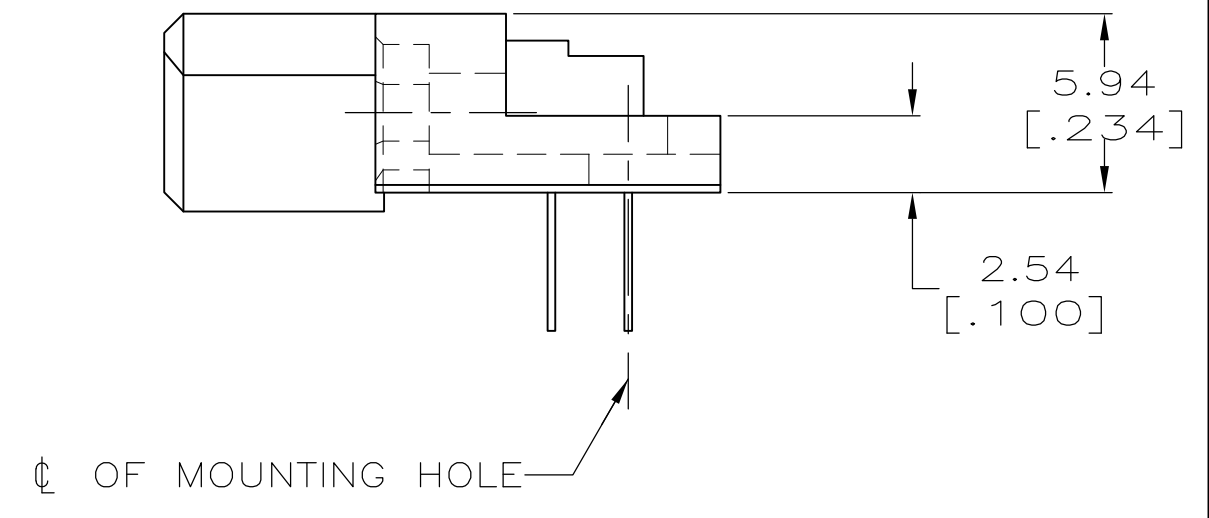
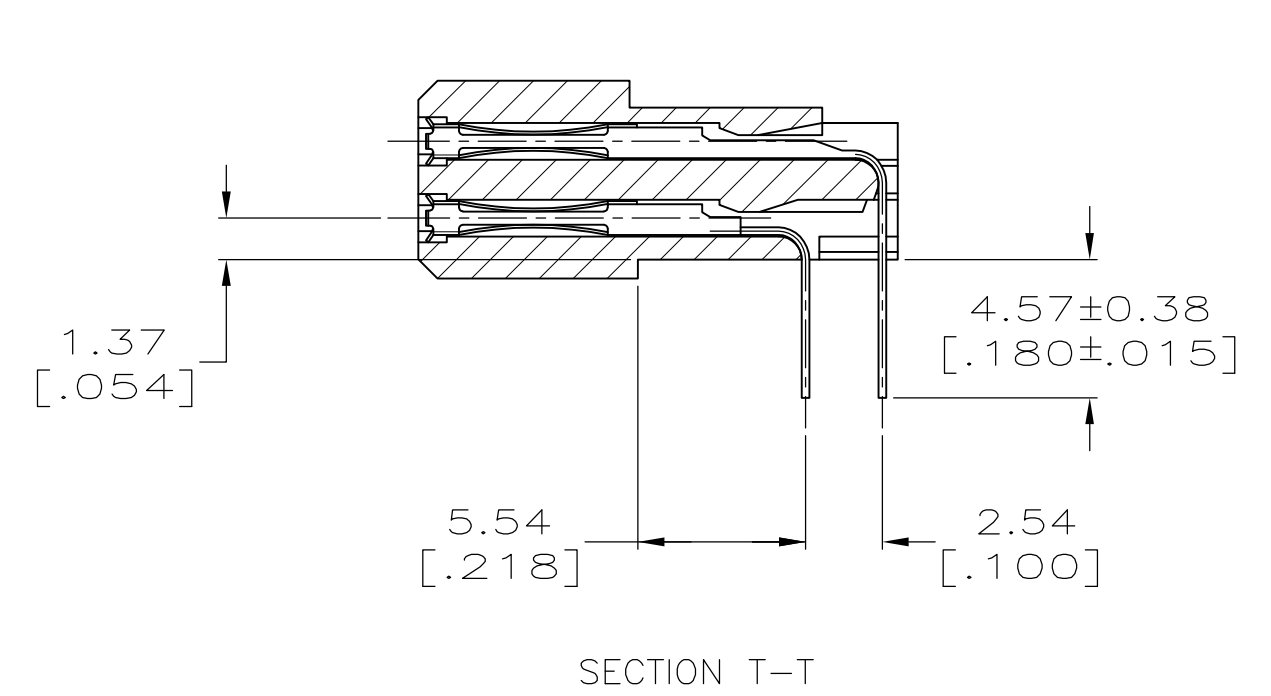
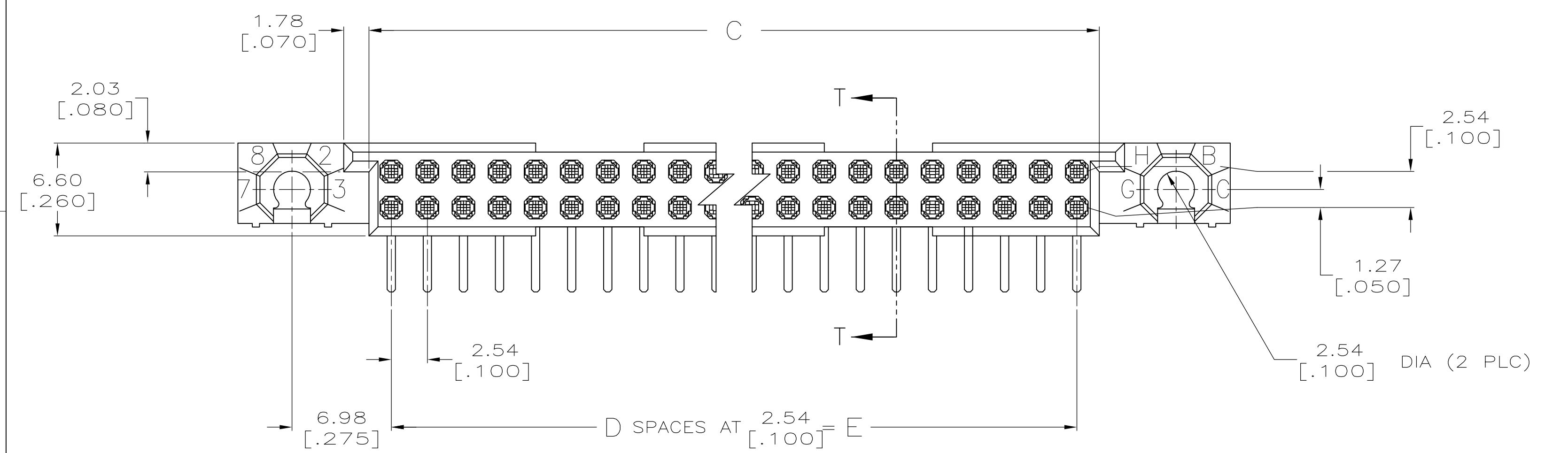
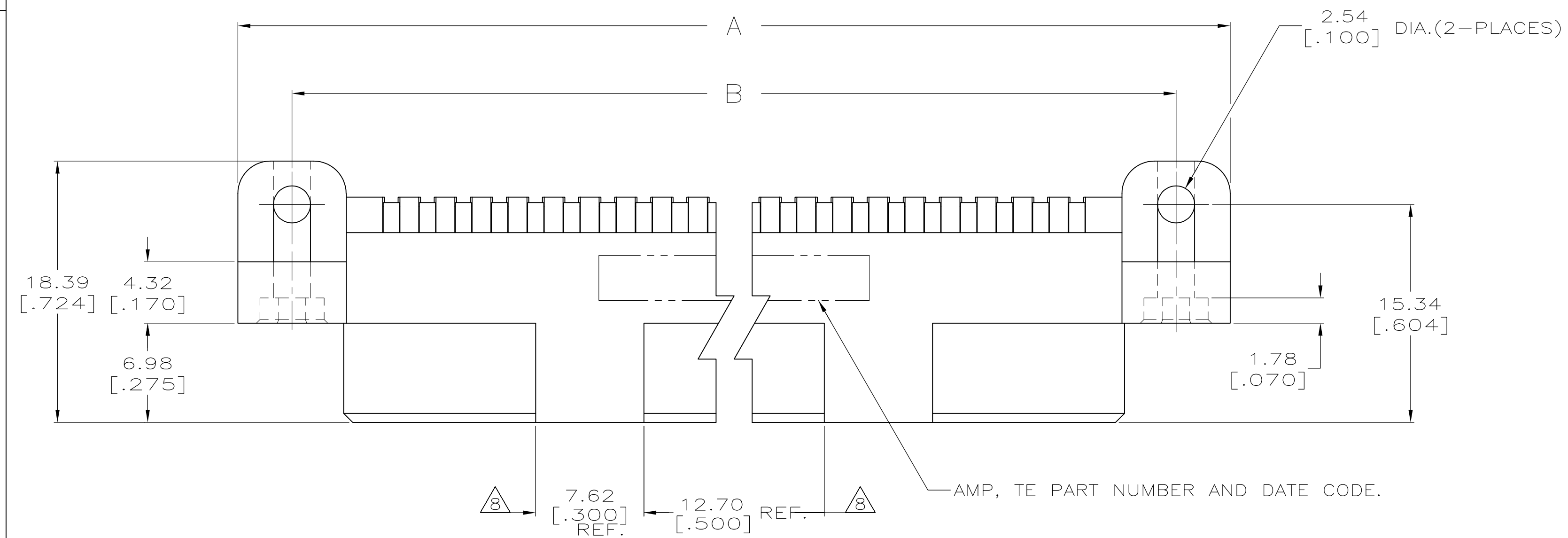


THIS DRAWING IS A CONTROLLED DOCUMENT. DWG NO 532428



THIS INFORMATION IS CONFIDENTIAL AND PROPRIETARY TO TE CONNECTIVITY AND ITS AFFILIATES. IT IS NOT TO BE DISCLOSED, REPRODUCED, COPIED, OR TRANSMITTED IN ANY FORM OR BY ANY MEANS, WITHOUT AUTHORIZATION FROM TE CONNECTIVITY.

DWG: R.K. SEIFRIED		DATE: 06/14/90		MATERIAL: -		HEAT TREAT: -	
CHK: G.E.SKIPPER		DATE: 3/29/94		APVD: -		TE Connectivity	
NAME: HDI, 2 ROW, RECEPTACLE ASSEMBLY, 4.57 [.180] LONG SOLDER TAILS		SCALE: 4:1		SIZE: A1		DRAWING NO: 532428	
REVISION RECORD		DATE		DWG		APVD	
U	REVISED PER ECO-16-009924	7JUL2016	DS	SY			
P	LTR	REVISION RECORD	DATE	DWG	APVD	SURFACE TEXTURE: √	
DIMENSIONS: mm [INCHES]		TOLERANCES UNLESS OTHERWISE SPECIFIED:		0 PLC ± - 1 PLC ± - 2 PLC ± - 3 PLC ± 0.13 [.005] 4 PLC ± -			
ANGLES: -		SURFACE TEXTURE: √		SCALE: 4:1			
SHEET: 1		OF: 2		REV: U		SHEET: 1	

- 1 HOUSING MATERIAL: THERMOPLASTIC, COLOR-NATURAL, COLOR IS BLACK FOR P/N 1-532428-0.
- 2 CONTACT MATERIAL: COPPER ALLOY.
- 3 FINISH: MATING AREA: MEETS THE PERFORMANCE REQUIREMENTS OF PRODUCT SPECIFICATION 108-9063; BASED ON TELCORDIA DR-1217-CORE APPLICATIONS IN UNCONTROLLED ENVIRONMENTS. SOLDER TAILS AREA: TIN-LEAD PLATED.
- 4 SOLDER TAILS MUST FIT HOLE PATTERN AS SHOWN ON THE RECOMMENDED P.C. BOARD LAYOUT.
- 5 DIMENSIONS IN BRACKETS ARE IN INCHES.
- 6 HOUSINGS WITH CENTER MOUNTING IS RECOMMENDED FOR ASSEMBLIES HAVING 75 CONTACTS PER ROW OR MORE.
- 7 PART NUMBER IS OBSOLETE.
- 8 QUANTITIES OF VOID CORING ARE DEPENDENT ON THE POSITION SIZE OF THE HOUSING.
- 9 OBSOLETE PARTS: OBSOLETE CIS STREAMLINING PER D.RENAUD/D.SINISI
- 10 FINISH: CONTACT FINISH: .00127-.00254 [.000050-.000100] NICKEL UNDERPLATE ALL OVER; .000762 [.000030] GOLD PLATE IN CONTACT AREA, TIN-LEAD PLATED POSTS.

226.06 [8.900]	89	229.21 [9.024]	240.03 [9.450]	247.65 [9.750]	180	4-532428-8
200.66 [7.900]	79	203.81 [8.024]	214.63 [8.450]	222.25 [8.750]	160	4-532428-6
251.46 [9.900]	99	254.61 [10.024]	265.43 [10.450]	273.05 [10.750]	200	4-532428-5
175.26 [6.900]	69	178.41 [7.024]	189.23 [7.450]	196.85 [7.750]	140	4-532428-3
149.86 [5.900]	59	153.01 [6.024]	163.83 [6.450]	171.45 [6.750]	120	4-532428-1
124.46 [4.900]	49	127.61 [5.024]	138.43 [5.450]	146.05 [5.750]	100	3-532428-9
99.06 [3.900]	39	102.21 [4.024]	113.03 [4.450]	120.65 [4.750]	80	3-532428-7
73.66 [2.900]	29	76.81 [3.024]	87.63 [3.450]	95.25 [3.750]	60	3-532428-5
60.96 [2.400]	24	64.11 [2.524]	74.93 [2.950]	82.55 [3.250]	50	3-532428-4
48.26 [1.900]	19	51.41 [2.024]	62.23 [2.450]	69.85 [2.750]	40	3-532428-3
210.82 [8.300]	83	213.97 [8.424]	224.79 [8.850]	232.41 [9.150]	168	2-532428-1
---	---	---	---	---	---	2-532428-0
---	---	---	---	---	---	1-532428-9
226.06 [8.900]	89	229.21 [9.024]	240.03 [9.450]	247.65 [9.750]	180	1-532428-8
---	---	---	---	---	---	1-532428-7
200.66 [7.900]	79	203.81 [8.024]	214.63 [8.450]	222.25 [8.750]	160	1-532428-6
251.46 [9.900]	99	254.61 [10.024]	265.43 [10.450]	273.05 [10.750]	200	1-532428-5
187.96 [7.400]	74	191.11 [7.524]	201.93 [7.950]	209.55 [8.250]	150	1-532428-4
175.26 [6.900]	69	178.41 [7.024]	189.23 [7.450]	196.85 [7.750]	140	1-532428-3
---	---	---	---	---	---	1-532428-2
149.86 [5.900]	59	153.01 [6.024]	163.83 [6.450]	171.45 [6.750]	120	1-532428-1
137.16 [5.400]	54	140.31 [5.524]	151.13 [5.950]	158.75 [6.250]	110	1-532428-0
124.46 [4.900]	49	127.61 [5.024]	138.43 [5.450]	146.05 [5.750]	100	532428-9
---	---	---	---	---	---	532428-8
99.06 [3.900]	39	102.21 [4.024]	113.03 [4.450]	120.65 [4.750]	80	532428-7
86.36 [3.400]	34	89.51 [3.524]	100.33 [3.950]	107.95 [4.250]	70	532428-6
73.66 [2.900]	29	76.81 [3.024]	87.63 [3.450]	95.25 [3.750]	60	532428-5
60.96 [2.400]	24	64.11 [2.524]	74.93 [2.950]	82.55 [3.250]	50	532428-4
48.26 [1.900]	19	51.41 [2.024]	62.23 [2.450]	69.85 [2.750]	40	532428-3
---	---	---	---	---	---	532428-2
22.86 [.900]	9	26.01 [1.024]	36.83 [1.450]	44.45 [1.750]	20	532428-1
E	D	C	B	A	POSN	PART NUMBER

DIMENSIONS: mm [INCHES]		TOLERANCES UNLESS OTHERWISE SPECIFIED:		DWN: R.K. SEIFRIED 06/14/90		MATERIAL: -		HEAT TREAT: -	
0 PLC ± .01		1 PLC ± .01		CHK: G.E.SKIPPER 3/29/94		APVD: -		TE Connectivity	
2 PLC ± .01		3 PLC ± 0.13 [.005]		NAME: HDI, 2 ROW, RECEPTACLE ASSEMBLY, 4.57 [1.80] LONG SOLDER TAILS		SCALE: 4:1		SHEET: 2 of 2	
4 PLC ± .01		SURFACE TEXTURE: √		DRAWING NO: 532428		REV: U		DATE: -	