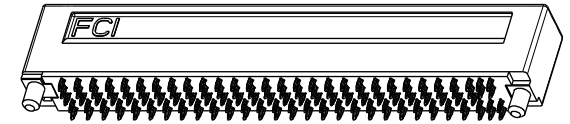
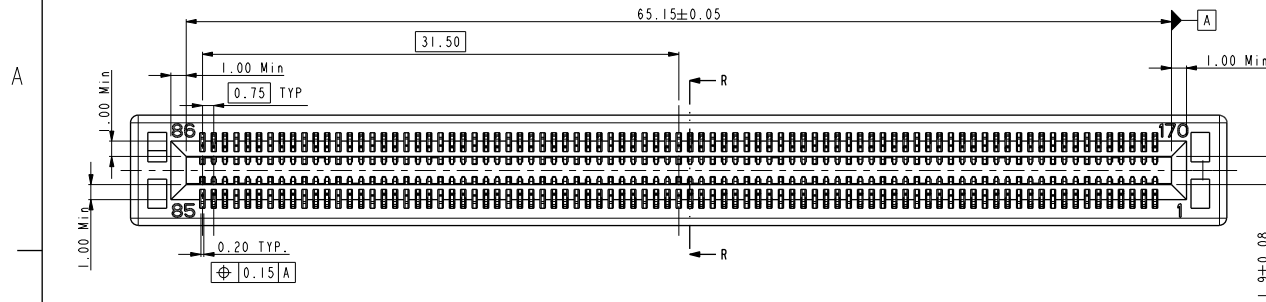
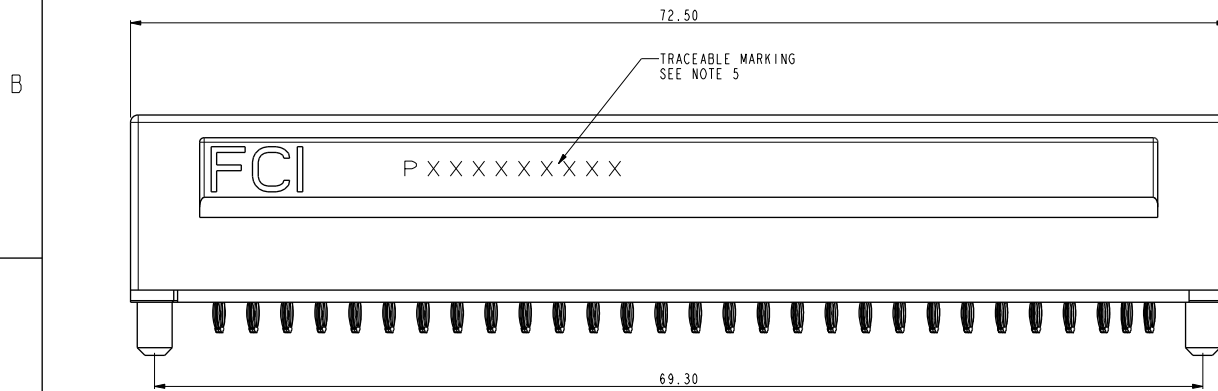


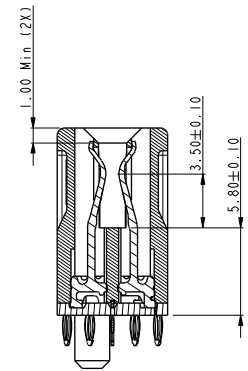
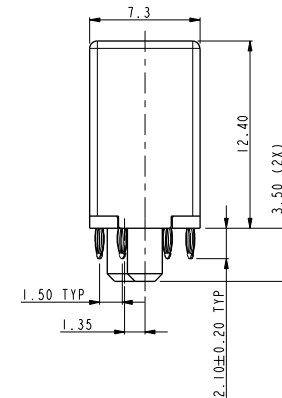
P/N	PLATING DESCRIPTION	REMARK
10058831-210LF	GF-PdNi	LEAD FREE
10058831-210	GF-PdNi	NOT LEAD FREE



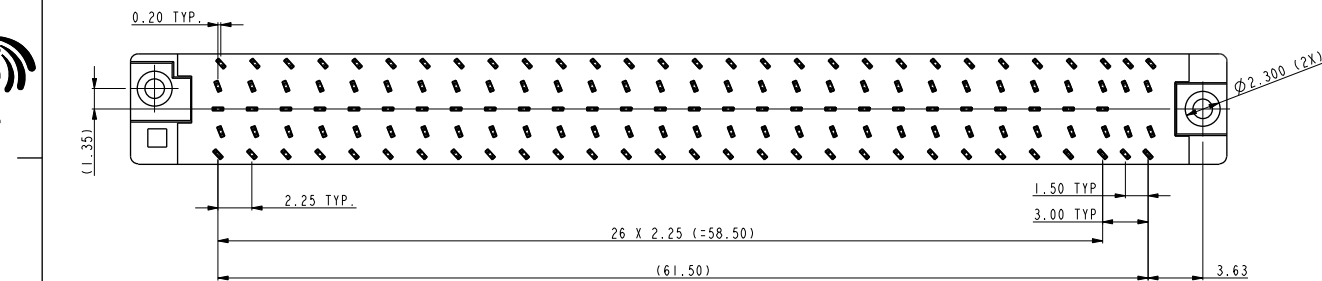
SCALE 1.500



SCALE 3.000



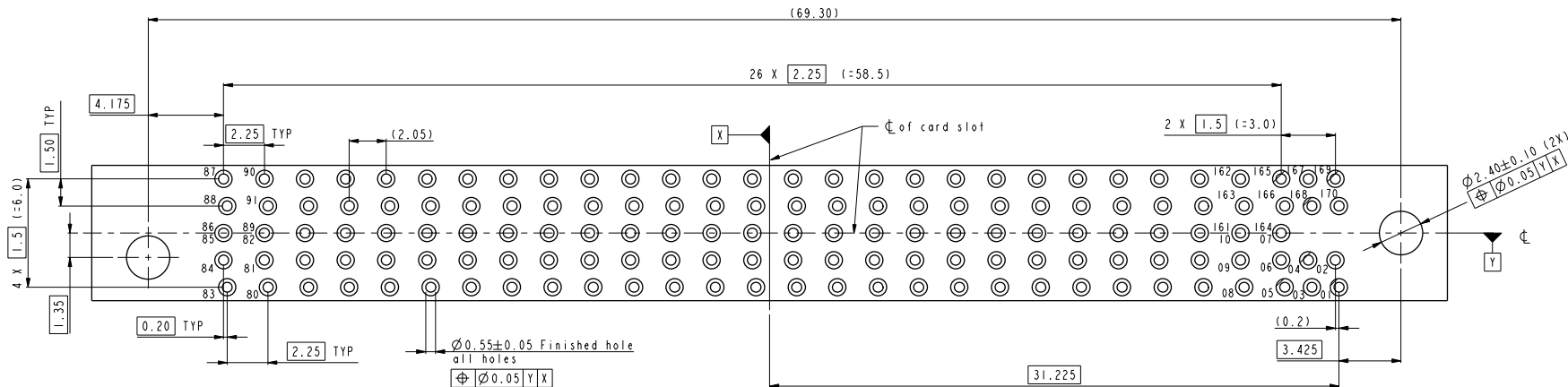
SECTION R-R



spec ref	*	dr	De-Feng Qin	2012/11/01	projection	MM	size	A3	scale	1.000										
tolerance std	TOLERANCES UNLESS OTHERWISE SPECIFIED	eng	De-Feng Qin	2012/11/29			ecn no	Released												
ISO 406		chr	-				rel level													
ISO 1101		appr	Pei-Ming Zheng	2012/12/05	product family															
surface	<table border="1"> <tr> <td>linear</td> <td>0.X</td> <td>±0.2</td> </tr> <tr> <td></td> <td>0.XX</td> <td>±0.15</td> </tr> <tr> <td></td> <td>0.XXX</td> <td>±0.08</td> </tr> <tr> <td>angular</td> <td>0°</td> <td>±5°</td> </tr> </table>	linear	0.X	±0.2		0.XX	±0.15		0.XXX	±0.08	angular	0°	±5°			title PF TYPE ASS'Y MICRO TCA		dwg no 10058831-210	rev A	
linear	0.X	±0.2																		
	0.XX	±0.15																		
	0.XXX	±0.08																		
angular	0°	±5°																		
ISO 1302		www.fci.com		cat. no.	Product - Customer Drw		sheet 1 of 4													



Copyright FCI.



SCALE 4.000

RECOMMENDED PCB LAYOUT  
(SEE PICMG MICROTCA BASE SPECIFICATION FOR DETAIL)

REMARK:FUNCTIONAL CONTACT PIN LIST OF MATING INTERFACE

POWER	2, 9, 18, 27, 42, 57, 72, 84
GROUND	1, 7, 10, 13, 16, 19, 22, 25, 28, 31, 34, 37, 40, 43, 46, 49, 52, 55, 58, 61, 64, 67, 70, 73, 76, 79, 82, 85, 86, 89, 92, 95, 98, 101, 104, 107, 110, 113, 116, 119, 122, 125, 128, 131, 134, 137, 140, 143, 146, 149, 152, 155, 158, 161, 164, 170
GENERAL PURPOSE	3, 4, 5, 6, 8, 17, 26, 41, 56, 71, 83, 165, 166, 167, 168, 169
DIFFERENTIAL PAIRS	11/12, 14/15, 20/21, 23/24, 29/30, 32/33, 35/36, 38/39, 44/45, 47/48, 50/51, 53/54, 59/60, 62/63, 65/66, 68/69, 74/75, 77/78, 80/81, 87/88, 90/91, 93/94, 96/97, 99/100, 102/103, 105/106, 108/109, 111/112, 114/115, 117/118, 120/121, 123/124, 126/127, 129/130, 132/133, 135/136, 138/139, 141/142, 144/145, 147/148, 150/151, 153/154, 156/157, 159/160, 162/163

spec ref	*	dr	De-Feng Qin	2012/11/01	projection	MM	size	A3	scale	1.000								
tolerance std	TOLERANCES UNLESS OTHERWISE SPECIFIED	eng	De-Feng Qin	2012/11/29			ecn no	Released										
ISO 406		chr	-	-			rel level	Released										
ISO 1101		appr	Pei-Ming Zheng	2012/12/05	product family													
surface	<table border="1"> <tr> <td>linear</td> <td>0.X</td> <td>±0.2</td> </tr> <tr> <td></td> <td>0.XX</td> <td>±0.15</td> </tr> <tr> <td></td> <td>0.XXX</td> <td>±0.08</td> </tr> </table>	linear	0.X	±0.2		0.XX	±0.15		0.XXX	±0.08				PF TYPE ASS'Y MICRO TCA			dwg no 10058831-210	rev A
linear	0.X	±0.2																
	0.XX	±0.15																
	0.XXX	±0.08																
ISO 1302	<table border="1"> <tr> <td>angular</td> <td>0°</td> <td>±5°</td> </tr> </table>	angular	0°	±5°	<a href="http://www.fci.com">www.fci.com</a>			Product - Customer Drw			sheet 2 of 4							
angular	0°	±5°																

ProjE File - REV C - 2009-06-09



Copyright FCI.

3-10 MIN. TAILING EDGE  
OF CONTACTS  
3.50±0.10 CENTERLINE OF  
CONNECTOR CONTACTS  
0.70±0.10 TYP

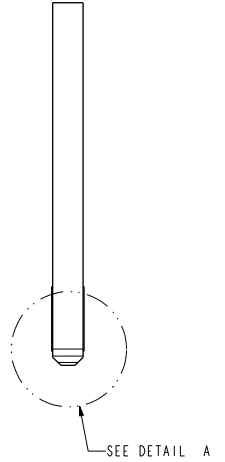
0.48±0.02 TYP  
⊕ 0.1 Z  
85 POSITIONS  
2 SIDES

84 X 0.75 (=63.0)

0.75 TYP  
84 PLACES  
TWO SIDES

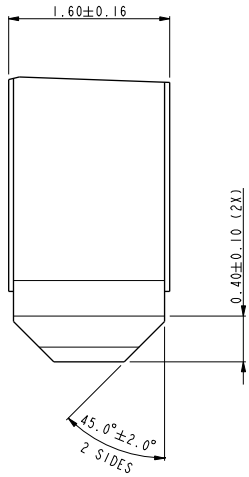
45°±2 (2X)  
R 0.50 (2X)

0.60 (2X)



SCALE 4.000

RECOMMENDED MODULE LAYOUT  
(SEE PICMG ADVANCED MEZZANINE CRAD BASE SPECIFICATION FOR DETAIL)



DETAIL A  
SCALE 20.000

spec ref	*	dr	De-Feng Qin	2012/11/01	projection	MM	size	A3	scale	1.000																						
tolerance std	ISO 406 ISO 1101	eng	De-Feng Qin	2012/11/29			ecn no	Released																								
TOLERANCES UNLESS OTHERWISE SPECIFIED		chr	-	-			rel level	Released																								
surface	<table border="1"> <tr> <td>linear</td> <td>0.X</td> <td>±0.2</td> </tr> <tr> <td></td> <td>0.XX</td> <td>±0.15</td> </tr> <tr> <td></td> <td>0.XXX</td> <td>±0.08</td> </tr> <tr> <td>angular</td> <td>0°</td> <td>±5°</td> </tr> </table>	linear	0.X	±0.2		0.XX	±0.15		0.XXX	±0.08	angular	0°	±5°	appr	Pei-Ming Zheng	2012/12/05	product family			<table border="1"> <tr> <td>title</td> <td>PF TYPE ASS'Y</td> <td>dwg no</td> <td>10058831-210</td> <td>rev</td> <td>A</td> </tr> <tr> <td></td> <td>MICRO TCA</td> <td></td> <td></td> <td></td> <td></td> </tr> </table>	title	PF TYPE ASS'Y	dwg no	10058831-210	rev	A		MICRO TCA				
linear	0.X	±0.2																														
	0.XX	±0.15																														
	0.XXX	±0.08																														
angular	0°	±5°																														
title	PF TYPE ASS'Y	dwg no	10058831-210	rev	A																											
	MICRO TCA																															
ISO 1302		www.fci.com	cat. no.	*	Product - Customer Drw	sheet 3 of 4																										

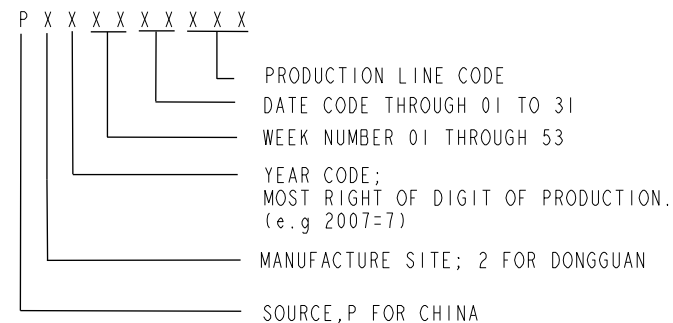
Profile File - REV C - 2009-06-09

Copyright FCI.

NOTES:

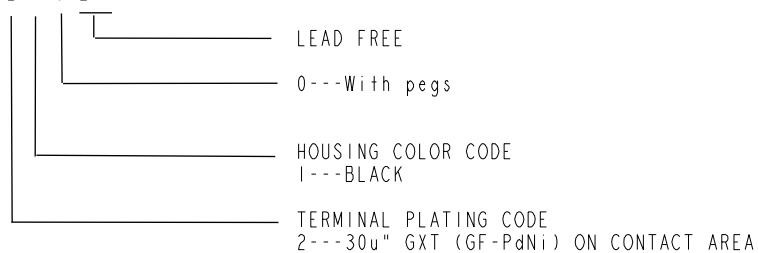
1. MATERIAL:  
HOUSING: HIGH TEMPERATURE NYLON, GLASS FILLED UL94V-0  
TERMINAL: COPPER ALLOY
2. FINISH:  
10058831 -210LF  
TERMINAL: 50u" NICKEL UNDERPLATE  
CONTACT AREA : 30u" GXT (GF-PdNi) ON CONTACT AREA  
PRESS FIT TAIL: 20u" MIN. Pure Sn OVER 50u" NICKEL.  
10058831 -210  
TERMINAL: 50u" NICKEL UNDERPLATE  
CONTACT AREA: 30u" GXT (GF-PdNi) ON CONTACT AREA  
PRESS FIT TAIL: 20u" MIN. SnPb OVER 50u" NICKEL.
3. THE PRODUCT MEETS PICMG MICROTCA SPECIFICATION AS DESCRIBED IN GS-12-1100.

5. MARKING INFORMATION:



PRODUCT NUMBER CODE

10058831 - 2 1 0 L F



HEIGHT OF THE MAKING TEXT: IMM MIN

4. PCB NOTE:

Ø0.64±0.02mm DRILLED HOLES, PLATED WITH 0.8um min CHEM. TIN OVER  
25um MIN .Cu PLATING TO ACHIEVE Ø0.55±0.05mm FINISHED HOLES.



Copyright FCI.

spec ref *		dr	De-Feng Qin	2012/11/01	projection	MM	size	A3	scale	1.000	
tolerance std		eng	De-Feng Qin	2012/11/29		↔	ecn no		rel level Released		
ISO 406 ISO 1101		chr	-	-							
		appr	Pei-Ming Zheng	2012/12/05	product family						
surface	linear	0.X	±0.2		www.fci.com	title	PF TYPE ASS'Y		dwg no	10058831-210	rev
		0.XX	±0.15								
		0.XXX	±0.08		cat. no.		Product - Customer Drw		sheet 4 of 4		
ISO 1302	angular	0°	±5°								