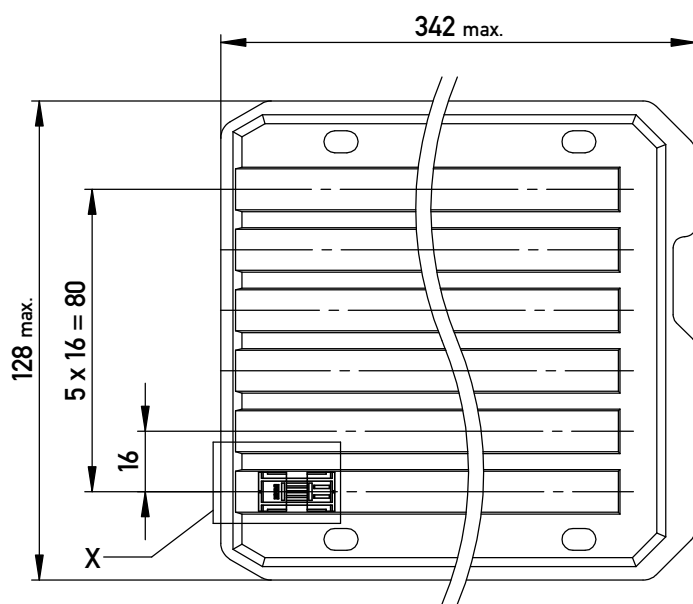
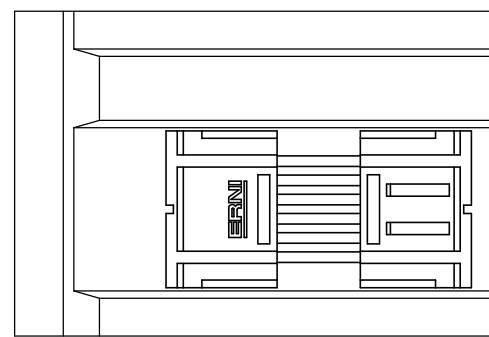


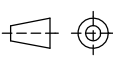

Verpackt in Tray -tray packaging
Verpackungseinheit 90 Stück -packaging unit 90



Einzelheit X (M 2:1)
detail X (scale 2:1)



Adapterstück für board-to-board Abstand von 22mm (beidseitig verbaut mit Federleiste: 154805, Low Profile)
Adapter for board-to-board height 22mm (in combination with two female connectors: 154805, low profile)

Information: All rights reserved. Only for Information. To ensure that this is the latest version of this drawing, please contact one of the ERNI companies before using.	Tolerances  All Dimensions in mm	Scale 3:1		
	Subject to modification without prior notice. Drawing will not be updated.	Designation 1,27 DRC BTB 22mm 12-polig 1,27 DRC BTB 22mm 12-pin		
	www.ERNI.com	364095		I A3
b Index	05.08.2016 Date	Class DRCBTB		

Copyright by ERNI Production GmbH & Co. KG
 Proprietary notice pursuant to ISO 16016 to be observed.