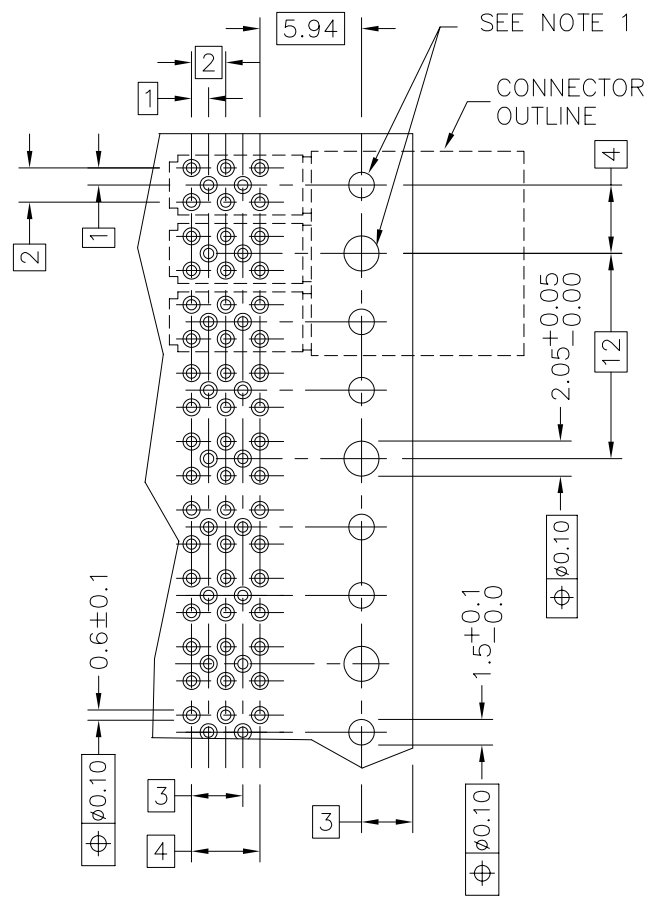
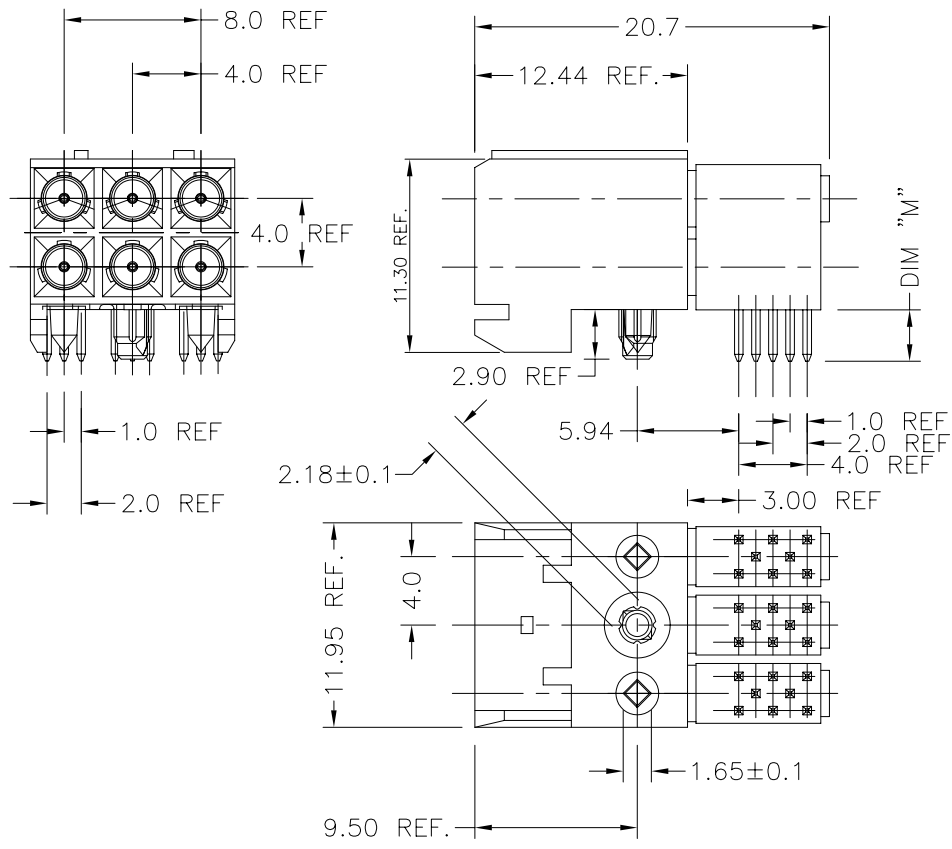


PRODUCT NO
63783-XXX



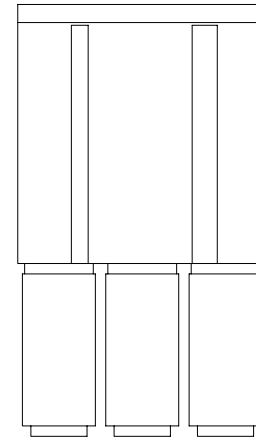
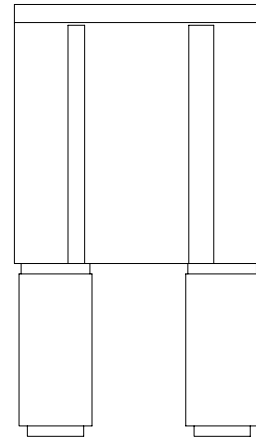
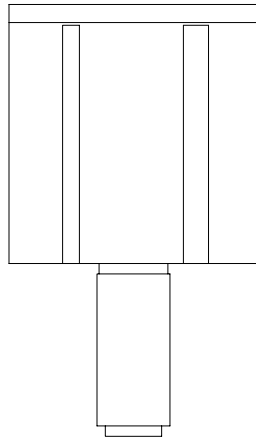
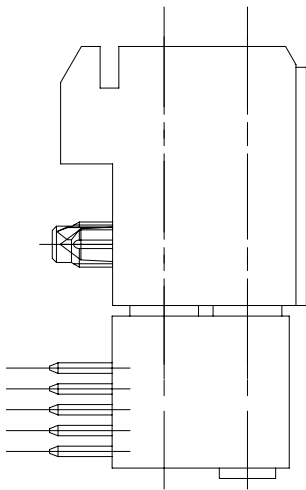
RECOMMENDED HOLE PATTERN,
COMPONENT SIDE.

NOTES

- ① INDICATED HOLES ARE UNPLATED.

mat'l. code ----				surface ISO 1302 ✓		tolerance ISO 406 ISO 1101		projection mm		product family METRAL (tm)	
tolerances unless otherwise specified				angles		linear		scale 2.5:1		title R/A MINI COAX RECEPT. CONN. ASSEMBLY - 12mm	
ltr	ecn no	dr	date	0°±2'		xxx ±.01/.3 xxx ±.005/.13 xxx ±.0020/.050		sheet 1 of 2 size		A3	
A	v91486	MDF	7/22/99					63783			
B	M06-0286	MNR	7/27/06					type		Product Customer Drawing	
sheet index		revision sheet		B	B						
				1	2						

PRODUCT NO	HOUSING P/N	COAX P/N	DIM "M"	PCB THICKNESS	CONTACTS INSTALLED
63783-101	70244-102	70239-001	2.80	1.6mm	1
63783-102	70244-102	70239-001	2.80	1.6mm	2
63783-103	70244-102	70239-001	2.80	1.6mm	3
63783-201	70244-102	70239-002	3.80	2.4mm	1
63783-202	70244-102	70239-002	3.80	2.4mm	2
63783-203	70244-102	70239-002	3.80	2.4mm	3



P/N 63783-101 / -201

P/N 63783-102 / -202

P/N 63783-103 / -203

mat'l. code		surface		tolerance		projection		product family	
-----		ISO 1302 ✓		ISO 406 ISO 1101				METRAL (tm)	
ltr	ecn	no	dr	date		tolerances unless otherwise specified		title	
B						angles linear xx ±.01/.3 xxx ±.005/.13 0°±2' xxx ±.0020/.050		R/A MINI COAX RECEPT. CONN. ASSEMBLY - 12mm	
				dr		M. FETROW 7/22/99		dwg no	
				enr		LARRY OH 7/22/99		sheet 2 of 2	
				chr		LARRY OH 7/22/99		size	
				appd		LARRY OH 7/22/99		A3	
sheet index		revision sheet						type Product Customer Drawing	



FCIconnect.com

Copyright FCI