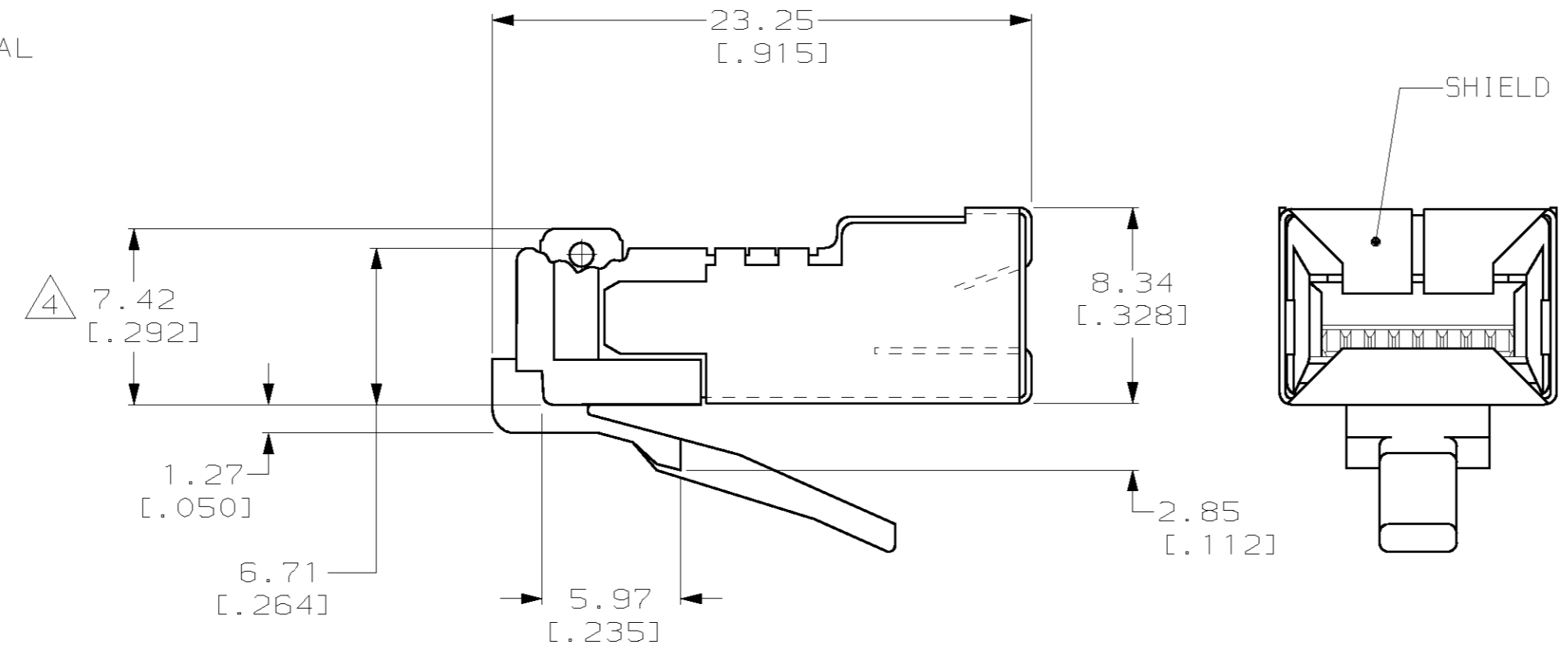
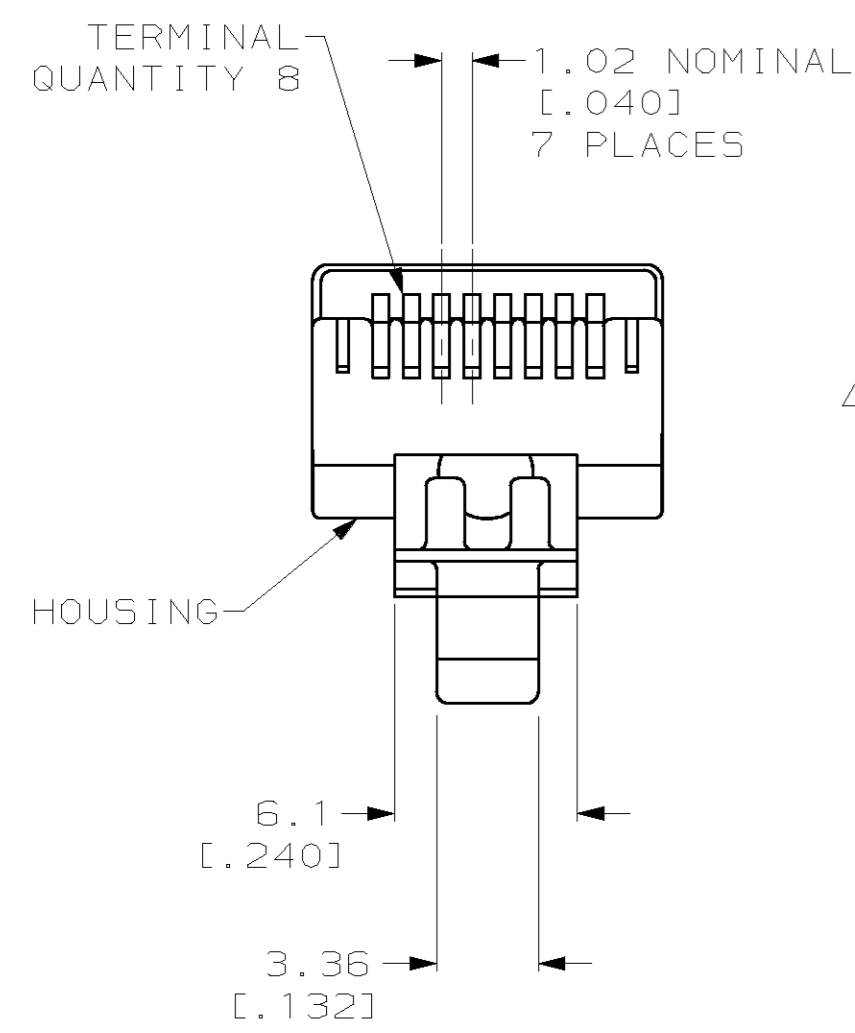
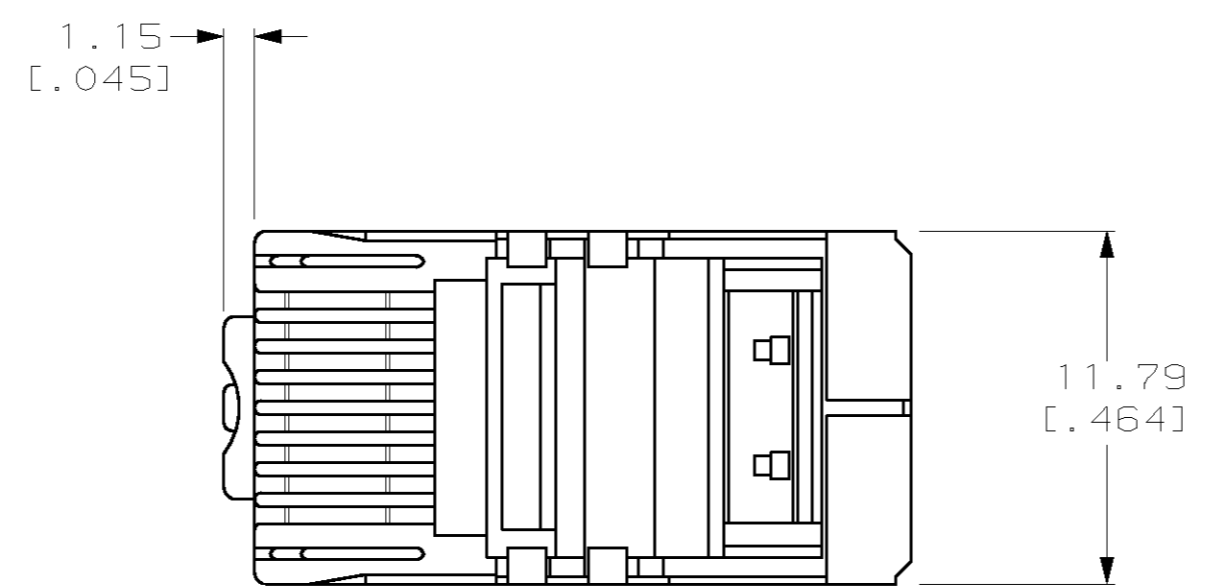


THIS DRAWING IS UNPUBLISHED. RELEASED FOR PUBLICATION .19  
 (C) COPYRIGHT 19 BY AMP INCORPORATED. ALL RIGHTS RESERVED.

LOC	DIST	REVISIONS					
		P	LTR	DESCRIPTION	DATE	DWN	APVD
AA	22		A	REVISED PER EC 0515-0123-03	11APR03	DLD	ECL

- ① DIMENSIONS ARE MAXIMUM UNLESS OTHERWISE SPECIFIED.
- ② MATERIAL: HOUSING - POLYCARBONATE, CLEAR  
 TERMINAL - PHOSPHOR BRONZE, PLATED WITH 1.27µm [.000050] MINIMUM THICK GOLD IN LOCALIZED GOLD PLATE AREA, GOLD FLASH OVER THE REMAINDER, OVER 2.54µm [.000100] MINIMUM THICK NICKEL UNDERPLATE.  
 SHIELD - COPPER ALLOY WITH 1.27µm [.000050] MINIMUM SEMI-BRIGHT (SATIN) NICKEL.
- 3. PLUG WILL ACCEPT 24 TO 28 AWG STRANDED WIRE, 0.74-0.99 [.029-.039] DIAMETER, WITH A 2.80 X 9.02 [.110 X .355] MAXIMUM JACKET.
- ④ TERMINATED DIMENSION 6.15 [.242] MAXIMUM.
- ⑤ PACKAGED 500 ASSEMBLIES PER CARTON.
- ⑥ PACKAGED 100 ASSEMBLIES PER BOX.
- ⑦ PACKAGED 25 ASSEMBLIES PER POLYBAG.



LEAD FREE

⑦	5-569542-4
⑥	5-569542-3
⑤	5-569542-2
PACKAGED	PART NUMBER

THIS DRAWING IS A CONTROLLED DOCUMENT FOR AMP INCORPORATED. IT IS SUBJECT TO CHANGE AND THE CONTROLLING ENGINEERING ORGANIZATION SHOULD BE CONTACTED FOR THE LATEST REVISION.		DWN G. GARRETT 10-10-95	AMP Incorporated Harrisburg, PA 17105-3608	
DIMENSIONS: mm [INCHES]		CHK C. WHITT 10-30-95	NAME MODULAR PLUG ASSEMBLY, 8 POSITION, SHIELDED, FLAT OVAL CABLE, STRANDED WIRE	
TOLERANCES UNLESS OTHERWISE SPECIFIED: 0 PLC ±- 1 PLC ±- 2 PLC ±- 3 PLC ±- 4 PLC ±- ANGLES ±- FINISH ±-		APVD E. LAURER 11-6-95	PRODUCT SPEC 108-1163	
MATERIAL		APPLICATION SPEC 114-6016	SIZE A2	CAGE CODE 00779
		WEIGHT -	DRAWING NO C-569542	
		CUSTOMER DRAWING	SCALE 4:1	SHEET 1 OF 1
			REV A	

569542