

- **Low Supply Voltage Range 1.8 V to 3.6 V**
- **Ultralow Power Consumption**
 - Active Mode: 160 μ A at 1 MHz, 2.2 V
 - Standby Mode: 0.7 μ A
 - Off Mode (RAM Retention): 0.1 μ A
- **Wake-Up From Standby Mode in Less Than 6 μ s**
- **16-Bit RISC Architecture, 125 ns Instruction Cycle Time**
- **Basic Clock Module Configurations:**
 - Various Internal Resistors
 - Single External Resistor
 - 32-kHz Crystal
 - High-Frequency Crystal
 - Resonator
 - External Clock Source
- **16-Bit Timer_A With Three Capture/Compare Registers**
- **On-Chip Comparator for Analog Signal Compare Function or Slope Analog-to-Digital (A/D) Conversion**
- **Serial Onboard Programming, No External Programming Voltage Needed, Programmable Code Protection by Security Fuse**
- **Family Members Include**
 - MSP430C1101: 1KB ROM, 128B RAM
 - MSP430C1111: 2KB ROM, 128B RAM
 - MSP430C1121: 4KB ROM, 256B RAM
 - MSP430F1101A: 1KB + 128B Flash Memory 128B RAM
 - MSP430F1111A: 2KB + 256B Flash Memory 128B RAM
 - MSP430F1121A: 4KB + 256B Flash Memory 256B RAM
- **Available in a 20-Pin Plastic Small-Outline Wide Body (SOWB) Package, 20-Pin Plastic Small-Outline Thin Package, 20-Pin TVSOP (F11x1A only), and 24-Pin QFN**
- **For Complete Module Descriptions, Refer to the *MSP430x1xx Family User's Guide*, Literature Number SLAU049**

description

The Texas Instruments MSP430 family of ultralow-power microcontrollers consists of several devices featuring different sets of peripherals targeted for various applications. The architecture, combined with five low-power modes is optimized to achieve extended battery life in portable measurement applications. The device features a powerful 16-bit RISC CPU, 16-bit registers, and constant generators that contribute to maximum code efficiency. The digitally controlled oscillator (DCO) allows wake-up from low-power modes to active mode in less than 6 μ s.

The MSP430x11x1(A) series is an ultralow-power mixed signal microcontroller with a built-in 16-bit timer, versatile analog comparator and fourteen I/O pins.

Typical applications include sensor systems that capture analog signals, convert them to digital values, and then process the data for display or for transmission to a host system. Stand alone radio frequency (RF) sensor front end is another area of application. The I/O port inputs provide single slope A/D conversion capability on resistive sensors.



This integrated circuit can be damaged by ESD. Texas Instruments recommends that all integrated circuits be handled with appropriate precautions. Failure to observe proper handling and installation procedures can cause damage. ESD damage can range from subtle performance degradation to complete device failure. Precision integrated circuits may be more susceptible to damage because very small parametric changes could cause the device not to meet its published specifications. These devices have limited built-in ESD protection.



Please be aware that an important notice concerning availability, standard warranty, and use in critical applications of Texas Instruments semiconductor products and disclaimers thereto appears at the end of this data sheet.

PRODUCTION DATA information is current as of publication date. Products conform to specifications per the terms of Texas Instruments standard warranty. Production processing does not necessarily include testing of all parameters.



POST OFFICE BOX 655303 • DALLAS, TEXAS 75265

Copyright © 2008 Texas Instruments Incorporated

MSP430C11x1, MSP430F11x1A MIXED SIGNAL MICROCONTROLLER

SLAS2411 – SEPTEMBER 1999 – REVISED DECEMBER 2008

AVAILABLE OPTIONS

| T _A | PACKAGED DEVICES | | | |
|----------------|---|---|--|---|
| | PLASTIC 20-PIN SOWB (DW) | PLASTIC 20-PIN TSSOP (PW) | PLASTIC 20-PIN TVSOP (DGV) | PLASTIC 24-PIN QFN (RGE) |
| -40°C to 85°C | MSP430C1101IDW MSP430C1111IDW MSP430C1121IDW MSP430F1101AIDW MSP430F1111AIDW MSP430F1121AIDW | MSP430C1101IPW MSP430C1111IPW MSP430C1121IPW MSP430F1101AIPW MSP430F1111AIPW MSP430F1121AIPW | MSP430F1101AIDGV MSP430F1111AIDGV MSP430F1121AIDGV | MSP430C1101IRGE MSP430C1111IRGE MSP430C1121IRGE MSP430F1101AIRGE MSP430F1111AIRGE MSP430F1121AIRGE |

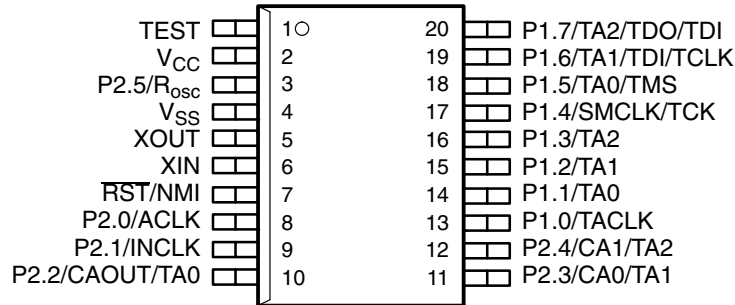


POST OFFICE BOX 655303 • DALLAS, TEXAS 75265

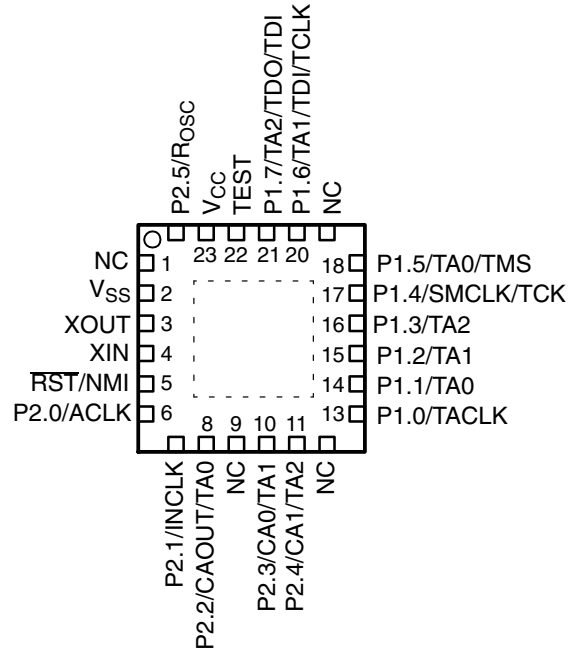
MSP430C11x1, MSP430F11x1A MIXED SIGNAL MICROCONTROLLER

SLAS2411 – SEPTEMBER 1999 – REVISED DECEMBER 2008

**DW, PW, or DGV PACKAGE
(TOP VIEW)**

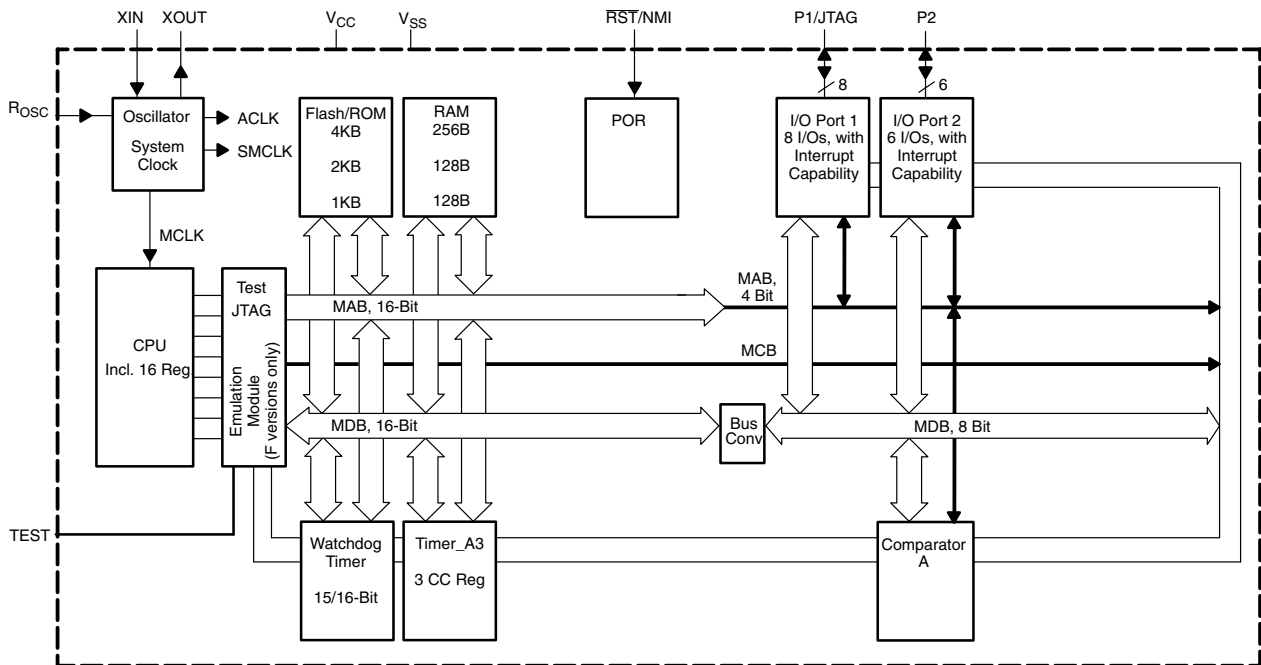


**RGE PACKAGE
(TOP VIEW)**



Note: NC pins not internally connected
Power Pad connection to V_{SS} recommended

functional block diagram



MSP430C11x1, MSP430F11x1A MIXED SIGNAL MICROCONTROLLER

SLAS241I – SEPTEMBER 1999 – REVISED DECEMBER 2008

Terminal Functions

| NAME | TERMINAL NO. | | I/O | DESCRIPTION |
|-----------------------|----------------|-------------|-----|--|
| | DW, PW, OR DGV | RGE | | |
| | P1.0/TACLK | 13 | | |
| P1.1/TA0 | 14 | 14 | I/O | General-purpose digital I/O pin/Timer_A, capture: CCI0A input, compare: Out0 output/BSL transmit |
| P1.2/TA1 | 15 | 15 | I/O | General-purpose digital I/O pin/Timer_A, capture: CCI1A input, compare: Out1 output |
| P1.3/TA2 | 16 | 16 | I/O | General-purpose digital I/O pin/Timer_A, capture: CCI2A input, compare: Out2 output |
| P1.4/SMCLK/TCK | 17 | 17 | I/O | General-purpose digital I/O pin/SMCLK signal output/test clock, input terminal for device programming and test |
| P1.5/TA0/TMS | 18 | 18 | I/O | General-purpose digital I/O pin/Timer_A, compare: Out0 output/test mode select, input terminal for device programming and test |
| P1.6/TA1/TDI/TCLK | 19 | 20 | I/O | General-purpose digital I/O pin/Timer_A, compare: Out1 output/test data input or test clock input |
| P1.7/TA2/TDO/TDI† | 20 | 21 | I/O | General-purpose digital I/O pin/Timer_A, compare: Out2 output/test data output terminal or data input during programming |
| P2.0/ACLK | 8 | 6 | I/O | General-purpose digital I/O pin/ACLK output |
| P2.1/INCLK | 9 | 7 | I/O | General-purpose digital I/O pin/Timer_A, clock signal at INCLK |
| P2.2/CAOUT/TA0 | 10 | 8 | I/O | General-purpose digital I/O pin/Timer_A, capture: CCI0B input/ comparator_A, output/BSL receive |
| P2.3/CA0/TA1 | 11 | 10 | I/O | General-purpose digital I/O pin/Timer_A, compare: Out1 output/ comparator_A, input |
| P2.4/CA1/TA2 | 12 | 11 | I/O | General-purpose digital I/O pin/Timer_A, compare: Out2 output/ comparator_A, input |
| P2.5/R _{OSC} | 3 | 24 | I/O | General-purpose digital I/O pin/input for external resistor that defines the DCO nominal frequency |
| RST/NMI | 7 | 5 | I | Reset or nonmaskable interrupt input |
| TEST | 1 | 22 | I | Selects test mode for JTAG pins on Port1. The device protection fuse is connected to TEST. |
| V _{CC} | 2 | 23 | | Supply voltage |
| V _{SS} | 4 | 2 | | Ground reference |
| XIN | 6 | 4 | I | Input terminal of crystal oscillator |
| XOUT | 5 | 3 | O | Output terminal of crystal oscillator |
| QFN Pad | NA | Package Pad | NA | QFN package pad connection to V _{SS} recommended. |

† TDO or TDI is selected via JTAG instruction.



short-form description

CPU

The MSP430 CPU has a 16-bit RISC architecture that is highly transparent to the application. All operations, other than program-flow instructions, are performed as register operations in conjunction with seven addressing modes for source operand and four addressing modes for destination operand.

The CPU is integrated with 16 registers that provide reduced instruction execution time. The register-to-register operation execution time is one cycle of the CPU clock.

Four of the registers, R0 to R3, are dedicated as program counter, stack pointer, status register, and constant generator, respectively. The remaining registers are general-purpose registers.

Peripherals are connected to the CPU using data, address, and control buses, and can be handled with all instructions.

| | |
|--------------------------|-----------|
| Program Counter | PC/R0 |
| Stack Pointer | SP/R1 |
| Status Register | SR/CG1/R2 |
| Constant Generator | CG2/R3 |
| General-Purpose Register | R4 |
| General-Purpose Register | R5 |
| General-Purpose Register | R6 |
| General-Purpose Register | R7 |
| General-Purpose Register | R8 |
| General-Purpose Register | R9 |
| General-Purpose Register | R10 |
| General-Purpose Register | R11 |
| General-Purpose Register | R12 |
| General-Purpose Register | R13 |
| General-Purpose Register | R14 |
| General-Purpose Register | R15 |

instruction set

The instruction set consists of 51 instructions with three formats and seven address modes. Each instruction can operate on word and byte data. Table 1 shows examples of the three types of instruction formats; Table 2 shows the address modes.

Table 1. Instruction Word Formats

| | | |
|-----------------------------------|-----------------|-------------------------|
| Dual operands, source-destination | e.g., ADD R4,R5 | R4 + R5 ----> R5 |
| Single operands, destination only | e.g., CALL R8 | PC --->(TOS), R8---> PC |
| Relative jump, un/conditional | e.g., JNE | Jump-on-equal bit = 0 |

Table 2. Address Mode Descriptions

| ADDRESS MODE | S | D | SYNTAX | EXAMPLE | OPERATION |
|------------------------|---|---|-----------------|------------------|------------------------------------|
| Register | ● | ● | MOV Rs,Rd | MOV R10,R11 | R10 ---> R11 |
| Indexed | ● | ● | MOV X(Rn),Y(Rm) | MOV 2(R5),6(R6) | M(2+R5)---> M(6+R6) |
| Symbolic (PC relative) | ● | ● | MOV EDE,TONI | | M(EDE) ---> M(TONI) |
| Absolute | ● | ● | MOV &MEM,&TCDAT | | M(MEM) ---> M(TCDAT) |
| Indirect | ● | | MOV @Rn,Y(Rm) | MOV @R10,Tab(R6) | M(R10) ---> M(Tab+R6) |
| Indirect autoincrement | ● | | MOV @Rn+,Rm | MOV @R10+,R11 | M(R10) ---> R11 R10 + 2---> R10 |
| Immediate | ● | | MOV #X,TONI | MOV #45,TONI | #45 ---> M(TONI) |

NOTE: S = source D = destination

MSP430C11x1, MSP430F11x1A MIXED SIGNAL MICROCONTROLLER

SLAS241I – SEPTEMBER 1999 – REVISED DECEMBER 2008

operating modes

The MSP430 has one active mode and five software selectable low-power modes of operation. An interrupt event can wake up the device from any of the five low-power modes, service the request, and restore back to the low-power mode on return from the interrupt program.

The following six operating modes can be configured by software:

- Active mode (AM)
 - All clocks are active.
- Low-power mode 0 (LPM0)
 - CPU is disabled.
 - ACLK and SMCLK remain active. MCLK is disabled.
- Low-power mode 1 (LPM1)
 - CPU is disabled.
 - ACLK and SMCLK remain active. MCLK is disabled.
 - DCO's dc generator is disabled if DCO not used in active mode.
- Low-power mode 2 (LPM2)
 - CPU is disabled.
 - MCLK and SMCLK are disabled.
 - DCO's dc generator remains enabled.
 - ACLK remains active.
- Low-power mode 3 (LPM3)
 - CPU is disabled.
 - MCLK and SMCLK are disabled.
 - DCO's dc generator is disabled.
 - ACLK remains active.
- Low-power mode 4 (LPM4)
 - CPU is disabled.
 - ACLK is disabled.
 - MCLK and SMCLK are disabled.
 - DCO's dc generator is disabled.
 - Crystal oscillator is stopped.



POST OFFICE BOX 655303 • DALLAS, TEXAS 75265

interrupt vector addresses

The interrupt vectors and the power-up starting address are located in the address range of 0FFFFh to 0FFE0h. The vector contains the 16-bit address of the appropriate interrupt handler instruction sequence.

| INTERRUPT SOURCE | INTERRUPT FLAG | SYSTEM INTERRUPT | WORD ADDRESS | PRIORITY |
|--|--|--|--------------|-------------|
| Power-up External reset Watchdog Flash Memory | WDTIFG KEYV (see Note 1) | Reset | 0FFFEh | 15, highest |
| NMI Oscillator fault Flash memory access violation | NMIIFG OFIFG ACCVIFG (see Notes 1 and 4) | (non)-maskable, (non)-maskable, (non)-maskable | 0FFFCh | 14 |
| | | | 0FFFAh | 13 |
| | | | 0FFF8h | 12 |
| Comparator_A | CAIFG | maskable | 0FFF6h | 11 |
| Watchdog Timer | WDTIFG | maskable | 0FFF4h | 10 |
| Timer_A3 | TACCR0 CCIFG (see Note 2) | maskable | 0FFF2h | 9 |
| Timer_A3 | TACCR1 CCIFG. TACCR2 CCIFG TAIFG (see Notes 1 and 2) | maskable | 0FFF0h | 8 |
| | | | 0FFEEh | 7 |
| | | | 0FFECCh | 6 |
| | | | 0FFEAh | 5 |
| | | | 0FFE8h | 4 |
| I/O Port P2 (eight flags; see Note 3) | P2IFG.0 to P2IFG.7 (see Notes 1 and 2) | maskable | 0FFE6h | 3 |
| I/O Port P1 (eight flags) | P1IFG.0 to P1IFG.7 (see Notes 1 and 2) | maskable | 0FFE4h | 2 |
| | | | 0FFE2h | 1 |
| | | | 0FFE0h | 0, lowest |

- NOTES:
- Multiple source flags
 - Interrupt flags are located in the module
 - There are eight Port P2 interrupt flags, but only six Port P2 I/O pins (P2.0–5) implemented on the 'C11x1 and 'F11x1A devices.
 - (non)-maskable: the individual interrupt-enable bit can disable an interrupt event, but the general interrupt enable cannot.
Nonmaskable: neither the individual nor the general interrupt-enable bit will disable an interrupt event.

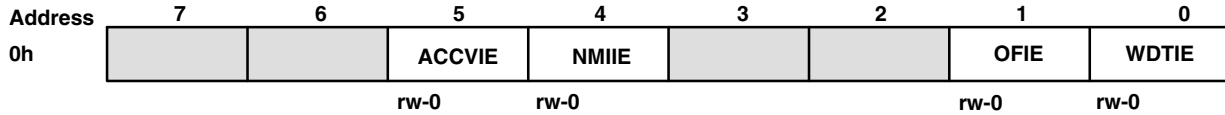
MSP430C11x1, MSP430F11x1A MIXED SIGNAL MICROCONTROLLER

SLAS241I – SEPTEMBER 1999 – REVISED DECEMBER 2008

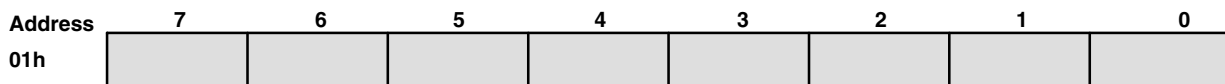
special function registers

Most interrupt and module enable bits are collected into the lowest address space. Special function register bits not allocated to a functional purpose are not physically present in the device. Simple software access is provided with this arrangement.

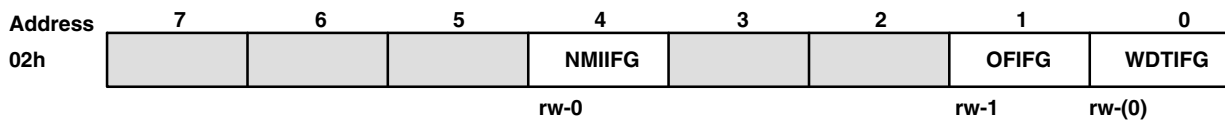
interrupt enable 1 and 2



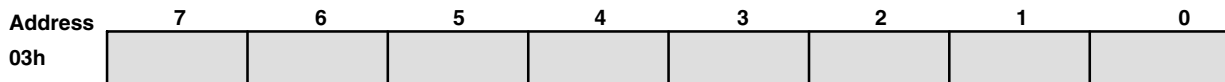
- WDTIE: Watchdog timer interrupt enable. Inactive if watchdog mode is selected. Active if watchdog timer is configured in interval timer mode.
- OFIE: Oscillator fault enable
- NMIIE: (Non)maskable interrupt enable
- ACCVIE: Flash access violation interrupt enable




interrupt flag register 1 and 2



- WDTIFG: Set on watchdog timer overflow (in watchdog mode) or security key violation. Reset on V_{CC} power up or a reset condition at RST/NMI pin in reset mode.
- OFIFG: Flag set on oscillator fault
- NMIIFG: Set via RST/NMI pin



- Legend**
- rw: Bit can be read and written.
 - rw-0,1: Bit can be read and written. It is Reset or Set by PUC.
 - rw-(0,1): Bit can be read and written. It is Reset or Set by POR.
 -  SFR bit is not present in device



memory organization

| | | MSP430C1101 | MSP430C1111 | MSP430C1121 |
|---|-----------|--------------------------------|--------------------------------|--------------------------------|
| Memory Main: interrupt vector Main: code memory | Size | 1KB ROM | 2KB ROM | 4KB ROM |
| | ROM | 0FFFFh–0FFE0h 0FFFFh–0FC00h | 0FFFFh–0FFE0h 0FFFFh–0F800h | 0FFFFh–0FFE0h 0FFFFh–0F000h |
| Information memory | Size | Not applicable | Not applicable | Not applicable |
| Boot memory | Flash | | | |
| | Size | Not applicable | Not applicable | Not applicable |
| RAM | ROM | | | |
| | Size | 128 Byte 027Fh – 0200h | 128 Byte 027Fh – 0200h | 256 Byte 02FFh – 0200h |
| Peripherals | 16-bit | 01FFh – 0100h | 01FFh – 0100h | 01FFh – 0100h |
| | 8-bit | 0FFh – 010h | 0FFh – 010h | 0FFh – 010h |
| | 8-bit SFR | 0Fh – 00h | 0Fh – 00h | 0Fh – 00h |

| | | MSP430F1101A | MSP430F1111A | MSP430F1121A |
|---|-----------|--------------------------------|--------------------------------|--------------------------------|
| Memory Main: interrupt vector Main: code memory | Size | 1KB Flash | 2KB Flash | 4KB Flash |
| | Flash | 0FFFFh–0FFE0h 0FFFFh–0FC00h | 0FFFFh–0FFE0h 0FFFFh–0F800h | 0FFFFh–0FFE0h 0FFFFh–0F000h |
| Information memory | Size | 128 Byte | 256 Byte | 256 Byte |
| Boot memory | Flash | 010FFh – 01080h | 010FFh – 01000h | 010FFh – 01000h |
| | Size | 1KB | 1KB | 1KB |
| RAM | ROM | 0FFFh – 0C00h | 0FFFh – 0C00h | 0FFFh – 0C00h |
| | Size | 128 Byte 027Fh – 0200h | 128 Byte 027Fh – 0200h | 256 Byte 02FFh – 0200h |
| Peripherals | 16-bit | 01FFh – 0100h | 01FFh – 0100h | 01FFh – 0100h |
| | 8-bit | 0FFh – 010h | 0FFh – 010h | 0FFh – 010h |
| | 8-bit SFR | 0Fh – 00h | 0Fh – 00h | 0Fh – 00h |

bootstrap loader (BSL)

The MSP430 BSL enables users to program the flash memory or RAM using a UART serial interface. Access to the MSP430 memory via the BSL is protected by user-defined password. For complete description of the features of the BSL and its implementation, see the Application report *Features of the MSP430 Bootstrap Loader*, Literature Number SLAA089.

| BSL FUNCTION | DW, PW, AND DGV PACKAGE PINS | RGE PACKAGE PINS |
|---------------|------------------------------|------------------|
| Data Transmit | 14 - P1.1 | 14 - P1.1 |
| Data Receive | 10 - P2.2 | 8 - P2.2 |

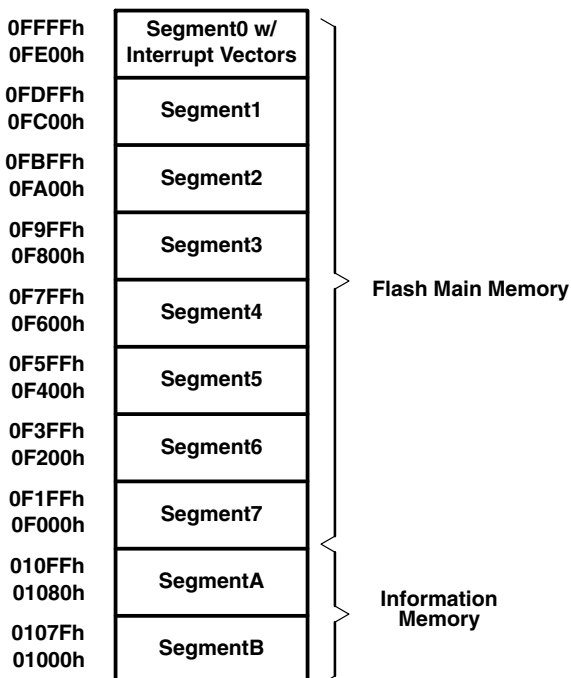
MSP430C11x1, MSP430F11x1A MIXED SIGNAL MICROCONTROLLER

SLAS241I – SEPTEMBER 1999 – REVISED DECEMBER 2008

flash memory

The flash memory can be programmed via the JTAG port, the bootstrap loader, or in-system by the CPU. The CPU can perform single-byte and single-word writes to the flash memory. Features of the flash memory include:

- Flash memory has n segments of main memory and two segments of information memory (A and B) of 128 bytes each. Each segment in main memory is 512 bytes in size.
- Segments 0 to n may be erased in one step, or each segment may be individually erased.
- Segments A and B can be erased individually, or as a group with segments 0 to n. Segments A and B are also called *information memory*.
- New devices may have some bytes programmed in the information memory (needed for test during manufacturing). The user should perform an erase of the information memory prior to the first use.



NOTE: All segments not implemented on all devices.

peripherals

Peripherals are connected to the CPU through data, address, and control buses and can be handled using all instructions. For complete module descriptions, see the *MSP430x1xx Family User's Guide*, literature number SLAU049.

oscillator and system clock

The clock system is supported by the basic clock module that includes support for a 32768-Hz watch crystal oscillator, an internal digitally-controlled oscillator (DCO), and a high-frequency crystal oscillator. The basic clock module is designed to meet the requirements of both low system cost and low power consumption. The internal DCO provides a fast turn-on clock source and stabilizes in less than 6 μ s. The basic clock module provides the following clock signals:

- Auxiliary clock (ACLK), sourced from a 32768-Hz watch crystal or a high-frequency crystal
- Main clock (MCLK), the system clock used by the CPU
- Sub-Main clock (SMCLK), the subsystem clock used by the peripheral modules

digital I/O

There are two 8-bit I/O ports implemented—ports P1 and P2 (only six P2 I/O signals are available on external pins):

- All individual I/O bits are independently programmable.
- Any combination of input, output, and interrupt conditions is possible.
- Edge-selectable interrupt input capability for all the eight bits of port P1 and six bits of port P2.
- Read/write access to port-control registers is supported by all instructions.

NOTE:

Only six bits of port P2 (P2.0 to P2.5) are available on external pins, but all control and data bits for port P2 are implemented.

watchdog timer (WDT)

The primary function of the WDT module is to perform a controlled system restart after a software problem occurs. If the selected time interval expires, a system reset is generated. If the watchdog function is not needed in an application, the module can be configured as an interval timer and can generate interrupts at selected time intervals.

Comparator_A

The primary function of the Comparator_A module is to support precision slope analog-to-digital conversions, battery-voltage supervision, and monitoring of external analog signals.

MSP430C11x1, MSP430F11x1A MIXED SIGNAL MICROCONTROLLER

SLAS241I – SEPTEMBER 1999 – REVISED DECEMBER 2008

Timer_A3

Timer_A3 is a 16-bit timer/counter with three capture/compare registers. Timer_A3 can support multiple capture/compares, PWM outputs, and interval timing. Timer_A3 also has extensive interrupt capabilities. Interrupts may be generated from the counter on overflow conditions and from each of the capture/compare registers.

| TIMER_A3 SIGNAL CONNECTIONS | | | | | | | |
|-----------------------------|-----------|---------------------|-------------------|--------------|----------------------|-------------------|-----------|
| INPUT PIN NUMBER | | DEVICE INPUT SIGNAL | MODULE INPUT NAME | MODULE BLOCK | MODULE OUTPUT SIGNAL | OUTPUT PIN NUMBER | |
| DW, PW, DGV | RGE | | | | | DW, PW, DGV | RGE |
| 13 - P1.0 | 13 - P1.0 | TACLK | TACLK | Timer | NA | | |
| | | ACLK | ACLK | | | | |
| | | SMCLK | SMCLK | | | | |
| 9 - P2.1 | 7 - P2.1 | INCLK | INCLK | | | | |
| 14 - P1.1 | 14 - P1.1 | TA0 | CCI0A | CCR0 | TA0 | 14 - P1.1 | 14 - P1.1 |
| 10 - P2.2 | 8 - P2.2 | TA0 | CCI0B | | | 18 - P1.5 | 18 - P1.5 |
| | | V _{SS} | GND | | | | |
| | | V _{CC} | V _{CC} | | | | |
| 15 - P1.2 | 15 - P1.2 | TA1 | CCI1A | CCR1 | TA1 | 11 - P2.3 | 10 - P2.3 |
| | | CAOUT (internal) | CCI1B | | | 15 - P1.2 | 15 - P1.2 |
| | | V _{SS} | GND | | | 19 - P1.6 | 20 - P1.6 |
| | | V _{CC} | V _{CC} | | | | |
| 16 - P1.3 | 16 - P1.3 | TA2 | CCI2A | CCR2 | TA2 | 12 - P2.4 | 11 - P2.4 |
| | | ACLK (internal) | CCI2B | | | 16 - P1.3 | 16 - P1.3 |
| | | V _{SS} | GND | | | 20 - P1.7 | 21 - P1.7 |
| | | V _{CC} | V _{CC} | | | | |



peripheral file map

| PERIPHERALS WITH WORD ACCESS | | | |
|-------------------------------------|-------------------------------|---------|-------|
| Timer_A | Reserved | | 017Eh |
| | Reserved | | 017Ch |
| | Reserved | | 017Ah |
| | Reserved | | 0178h |
| | Capture/compare register | TACCR2 | 0176h |
| | Capture/compare register | TACCR1 | 0174h |
| | Capture/compare register | TACCR0 | 0172h |
| | Timer_A register | TAR | 0170h |
| | Reserved | | 016Eh |
| | Reserved | | 016Ch |
| | Reserved | | 016Ah |
| | Reserved | | 0168h |
| | Capture/compare control | TACCTL2 | 0166h |
| | Capture/compare control | TACCTL1 | 0164h |
| | Capture/compare control | TACCTL0 | 0162h |
| | Timer_A control | TACTL | 0160h |
| Timer_A interrupt vector | TAIV | 012Eh | |
| Flash Memory | Flash control 3 | FCTL3 | 012Ch |
| | Flash control 2 | FCTL2 | 012Ah |
| | Flash control 1 | FCTL1 | 0128h |
| Watchdog | Watchdog/timer control | WDCTL | 0120h |
| PERIPHERALS WITH BYTE ACCESS | | | |
| Comparator_A | Comparator_A port disable | CAPD | 05Bh |
| | Comparator_A control 2 | CACTL2 | 05Ah |
| | Comparator_A control 1 | CACTL1 | 059h |
| Basic Clock | Basic clock system control 2 | BCSCTL2 | 058h |
| | Basic clock system control 1 | BCSCTL1 | 057h |
| | DCO clock frequency control | DCOCTL | 056h |
| Port P2 | Port P2 selection | P2SEL | 02Eh |
| | Port P2 interrupt enable | P2IE | 02Dh |
| | Port P2 interrupt edge select | P2IES | 02Ch |
| | Port P2 interrupt flag | P2IFG | 02Bh |
| | Port P2 direction | P2DIR | 02Ah |
| | Port P2 output | P2OUT | 029h |
| | Port P2 input | P2IN | 028h |
| Port P1 | Port P1 selection | P1SEL | 026h |
| | Port P1 interrupt enable | P1IE | 025h |
| | Port P1 interrupt edge select | P1IES | 024h |
| | Port P1 interrupt flag | P1IFG | 023h |
| | Port P1 direction | P1DIR | 022h |
| | Port P1 output | P1OUT | 021h |
| | Port P1 input | P1IN | 020h |
| Special Function | SFR interrupt flag 2 | IFG2 | 003h |
| | SFR interrupt flag 1 | IFG1 | 002h |
| | SFR interrupt enable 2 | IE2 | 001h |
| | SFR interrupt enable 1 | IE1 | 000h |

MSP430C11x1, MSP430F11x1A MIXED SIGNAL MICROCONTROLLER

SLAS241I – SEPTEMBER 1999 – REVISED DECEMBER 2008

absolute maximum ratings†

| | |
|--|--------------------------|
| Voltage applied at V_{CC} to V_{SS} | -0.3 V to 4.1 V |
| Voltage applied to any pin (see Note) | -0.3 V to $V_{CC}+0.3$ V |
| Diode current at any device terminal | ± 2 mA |
| Storage temperature, T_{stg} (unprogrammed device) | -55°C to 150°C |
| Storage temperature, T_{stg} (programmed device) | -40°C to 85°C |

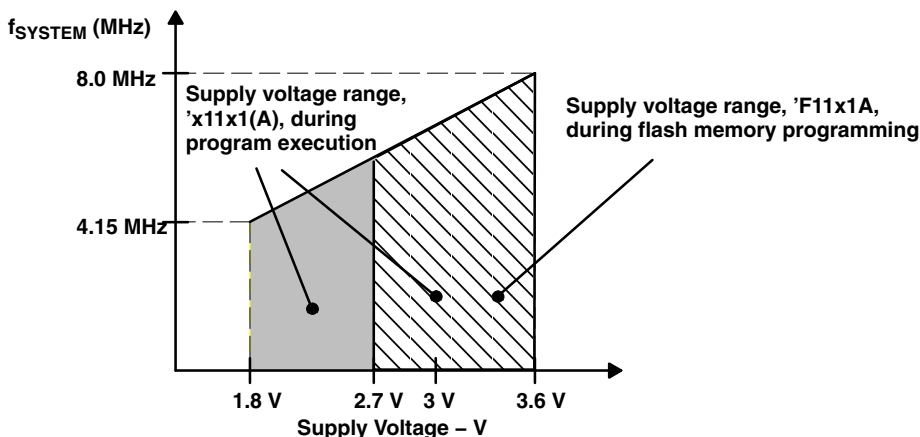
† Stresses beyond those listed under “absolute maximum ratings” may cause permanent damage to the device. These are stress ratings only, and functional operation of the device at these or any other conditions beyond those indicated under “recommended operating conditions” is not implied. Exposure to absolute-maximum-rated conditions for extended periods may affect device reliability.

NOTE: All voltages referenced to V_{SS} . The JTAG fuse-blow voltage, V_{FB} , is allowed to exceed the absolute maximum rating. The voltage is applied to the TEST pin when blowing the JTAG fuse.

recommended operating conditions

| | | MIN | NOM | MAX | UNITS |
|--|-------------------------------------|-------------------|------|-------|-------|
| Supply voltage during program execution, V_{CC} (see Note 1) | MSP430C11x1 | 1.8 | | 3.6 | V |
| | MSP430F11x1A | 1.8 | | 3.6 | |
| Supply voltage during program/erase flash memory, V_{CC} | MSP430F11x1A | 2.7 | | 3.6 | V |
| Supply voltage, V_{SS} | | | 0 | | V |
| Operating free-air temperature range, T_A | MSP430x11x1(A) | -40 | | 85 | °C |
| LFXT1 crystal frequency, $f_{(LFXT1)}$ (see Notes 1 and 2) | LF mode selected, XTS=0 | Watch crystal | | 32768 | Hz |
| | | Ceramic resonator | 450 | 8000 | kHz |
| | XT1 mode selected, XTS=1 | Crystal | 1000 | 8000 | |
| Processor frequency $f_{(system)}$ (MCLK signal) | $V_{CC} = 1.8$ V, MSP430x11x1(A) | dc | | 4.15 | MHz |
| | $V_{CC} = 3.6$ V, MSP430x11x1(A) | dc | | 8 | |

NOTES: 1. In LF mode, the LFXT1 oscillator requires a watch crystal. A 5.1M Ω resistor from XOUT to V_{SS} is recommended when $V_{CC} < 2.5$ V. In XT1 mode, the LFXT1 and XT2 oscillators accept a ceramic resonator or crystal up to 4.15MHz at $V_{CC} \geq 2.2$ V. In XT1 mode, the LFXT1 and XT2 oscillators accept a ceramic resonator or crystal up to 8 MHz at $V_{CC} \geq 2.8$ V.
2. In LF mode, the LFXT1 oscillator requires a watch crystal. In XT1 mode, LFXT1 accepts a ceramic resonator or a crystal.



NOTE: Minimum processor frequency is defined by system clock. Flash program or erase operations require a minimum V_{CC} of 2.7 V.

Figure 1. Frequency vs Supply Voltage



electrical characteristics over recommended ranges of supply voltage and operating free-air temperature (unless otherwise noted)

supply current (into V_{CC}) excluding external current

| PARAMETER | | TEST CONDITIONS | | V _{CC} | MIN | TYP | MAX | UNIT | |
|-----------------------|-----------------------|-----------------|---|------------------------|-----------|-----|-----|------|-----|
| I _(AM) | Active mode | C11x1 | T _A = -40°C to 85°C, f _(MCLK) = f _(SMCLK) = 1 MHz, f _(ACLK) = 32,768 Hz | 2.2 V | | 160 | 200 | μA | |
| | | | | 3 V | | 240 | 300 | | |
| | | | | 2.2 V | | 1.3 | 2 | | |
| | | | | 3 V | | 2.5 | 3.2 | | |
| | | F11x1A | T _A = -40°C to 85°C, f _(MCLK) = f _(SMCLK) = 1 MHz, f _(ACLK) = 32,768 Hz, Program executes in flash | 2.2 V | | 200 | 250 | | |
| | | | | 3 V | | 300 | 350 | | |
| | | | | 2.2 V | | 3 | 5 | | |
| | | | | 3 V | | 11 | 18 | | |
| I _(CPUOff) | Low-power mode (LPM0) | C11x1 | T _A = -40°C to 85°C, f _(MCLK) = 0, f _(SMCLK) = 1 MHz, f _(ACLK) = 32,768 Hz | 2.2 V | | 30 | 40 | μA | |
| | | | | 3 V | | 51 | 60 | | |
| | | F11x1A | T _A = -40°C to 85°C, f _(MCLK) = 0, f _(SMCLK) = 1 MHz, f _(ACLK) = 32,768 Hz | 2.2 V | | 32 | 45 | | |
| | | | | 3 V | | 55 | 70 | | |
| I _(LPM2) | Low-power mode (LPM2) | | T _A = -40°C to 85°C, f _(MCLK) = f _(SMCLK) = 0 MHz, f _(ACLK) = 32,768 Hz, SCG0 = 0 | 2.2 V | | 11 | 14 | μA | |
| | | | | 3 V | | 17 | 22 | | |
| I _(LPM3) | Low-power mode (LPM3) | C11x1 | T _A = -40°C to 85°C, f _(MCLK) = f _(SMCLK) = 0 MHz, f _(ACLK) = 32,768 Hz, SCG0 = 1 | 2.2 V | | 1.2 | 1.7 | μA | |
| | | | | 3 V | | 2 | 2.7 | | |
| | | F11x1A | f _(MCLK) = 0 MHz, f _(SMCLK) = 0 MHz, f _(ACLK) = 32,768 Hz, SCG0 = 1 | T _A = -40°C | 2.2 V | | 0.8 | | 1.2 |
| | | | | T _A = 25°C | | | 0.7 | | 1 |
| | | | | T _A = 85°C | 3 V | | 1.6 | | 2.3 |
| | | | | T _A = -40°C | | | 1.8 | | 2.2 |
| | | | | T _A = 25°C | | | 1.6 | | 1.9 |
| | | | | T _A = 85°C | | | 2.3 | | 3.4 |
| I _(LPM4) | Low-power mode (LPM4) | C11x1 | f _(MCLK) = 0 MHz, f _(SMCLK) = 0 MHz, f _(ACLK) = 0 Hz, SCG0 = 1 | T _A = -40°C | 2.2 V/3 V | | 0.1 | 0.5 | μA |
| | | | | T _A = 25°C | | | 0.1 | 0.5 | |
| | | | | T _A = 85°C | | | 0.4 | 0.8 | |
| | | F11x1A | | T _A = -40°C | 2.2 V/3 V | | 0.1 | 0.5 | |
| | | | | T _A = 25°C | | | 0.1 | 0.5 | |
| | | | | T _A = 85°C | | | 0.8 | 1.9 | |

NOTE: All inputs are tied to 0 V or V_{CC}. Outputs do not source or sink any current.

current consumption of active mode versus system frequency, C version, F version

$$I_{AM} = I_{AM[1 \text{ MHz}]} \times f_{\text{system}} [\text{MHz}]$$

current consumption of active mode versus supply voltage, C version

$$I_{AM} = I_{AM[3 \text{ V}]} + 105 \mu\text{A/V} \times (V_{CC} - 3 \text{ V})$$

current consumption of active mode versus supply voltage, F version

$$I_{AM} = I_{AM[3 \text{ V}]} + 120 \mu\text{A/V} \times (V_{CC} - 3 \text{ V})$$

MSP430C11x1, MSP430F11x1A MIXED SIGNAL MICROCONTROLLER

SLAS241I – SEPTEMBER 1999 – REVISED DECEMBER 2008

electrical characteristics over recommended ranges of supply voltage and operating free-air temperature (unless otherwise noted) (continued)

Schmitt-trigger inputs – Ports P1 (P1.0 to P1.7) and P2 (P2.0 to P2.5)

| PARAMETER | | V _{CC} | MIN | TYP | MAX | UNIT |
|------------------|---|-----------------|-----|-----|-----|------|
| V _{IT+} | Positive-going input threshold voltage | 2.2 V | 1.1 | | 1.5 | V |
| | | 3 V | 1.5 | | 1.9 | |
| V _{IT-} | Negative-going input threshold voltage | 2.2 V | 0.4 | | 0.9 | V |
| | | 3 V | 0.9 | | 1.3 | |
| V _{hys} | Input voltage hysteresis (V _{IT+} – V _{IT-}) | 2.2 V | 0.3 | | 1.1 | V |
| | | 3 V | 0.5 | | 1 | |

standard inputs – RST/NMI, JTAG (TCK, TMS, TDI/TCLK)

| PARAMETER | | V _{CC} | MIN | TYP | MAX | UNIT |
|-----------------|--------------------------|-----------------|---------------------|-----|----------------------|------|
| V _{IL} | Low-level input voltage | 2.2 V / 3 V | V _{SS} | | V _{SS} +0.6 | V |
| V _{IH} | High-level input voltage | | 0.8×V _{CC} | | V _{CC} | V |

inputs Px.x, TA_x

| PARAMETER | TEST CONDITIONS | V _{CC} | MIN | TYP | MAX | UNIT |
|----------------------|---|-----------------|-----|-----|-----|-------|
| t _(int) | External interrupt timing Port P1, P2: P1.x to P2.x, External trigger signal for the interrupt flag (see Note 1) | 2.2 V/3 V | 1.5 | | | cycle |
| | | 2.2 V | 62 | | | ns |
| | | 3 V | 50 | | | |
| t _(cap) | Timer_A, capture timing TA0, TA1, TA2 | 2.2 V | 62 | | | ns |
| | | 3 V | 50 | | | |
| f _(TAext) | Timer_A clock frequency externally applied to pin TACLK, INCLK t _(H) = t _(L) | 2.2 V | | | 8 | MHz |
| | | 3 V | | | 10 | |
| f _(TAint) | Timer_A clock frequency SMCLK or ACLK signal selected | 2.2 V | | | 8 | MHz |
| | | 3 V | | | 10 | |

NOTES: 1. The external signal sets the interrupt flag every time the minimum t_(int) cycle and time parameters are met. It may be set even with trigger signals shorter than t_(int). Both the cycle and timing specifications must be met to ensure the flag is set. t_(int) is measured in MCLK cycles.

leakage current

| PARAMETER | TEST CONDITIONS | V _{CC} | MIN | TYP | MAX | UNIT |
|------------------------|---|-----------------|-----|-----|-----|------|
| I _{lkg(Px.x)} | Port P1: P1.x, 0 ≤ x ≤ 7 (see Notes 1 and 2) | 2.2 V/3 V | | | ±50 | nA |
| | Port P2: P2.x, 0 ≤ x ≤ 5 (see Notes 1 and 2) | 2.2 V/3 V | | | ±50 | |

NOTES: 1. The leakage current is measured with V_{SS} or V_{CC} applied to the corresponding pin(s), unless otherwise noted.
2. The leakage of the digital port pins is measured individually. The port pin must be selected for input and there must be no optional pullup or pulldown resistor.



electrical characteristics over recommended ranges of supply voltage and operating free-air temperature (unless otherwise noted) (continued)

outputs – Ports P1 (P1.0 to P1.7) and P2 (P2.0 to P2.5)

| PARAMETER | | TEST CONDITIONS | | MIN | TYP | MAX | UNIT |
|-----------------|---|--------------------------------|-------------------------|------------|-----------------------|-----------------------|------|
| V _{OH} | High-level output voltage Port 1 and Port 2 (C11x1) Port 1 (F11x1A) | I _(OHmax) = -1.5 mA | V _{CC} = 2.2 V | See Note 1 | V _{CC} -0.25 | V _{CC} | V |
| | | I _(OHmax) = -6 mA | | See Note 2 | V _{CC} -0.6 | V _{CC} | |
| | | I _(OHmax) = -1.5 mA | V _{CC} = 3 V | See Note 1 | V _{CC} -0.25 | V _{CC} | |
| | | I _(OHmax) = -6 mA | | See Note 2 | V _{CC} -0.6 | V _{CC} | |
| V _{OH} | High-level output voltage Port 2 (F11x1A) | I _(OHmax) = -1 mA | V _{CC} = 2.2 V | See Note 3 | V _{CC} -0.25 | V _{CC} | V |
| | | I _(OHmax) = -3.4 mA | | See Note 3 | V _{CC} -0.6 | V _{CC} | |
| | | I _(OHmax) = -1 mA | V _{CC} = 3 V | See Note 3 | V _{CC} -0.25 | V _{CC} | |
| | | I _(OHmax) = -3.4 mA | | See Note 3 | V _{CC} -0.6 | V _{CC} | |
| V _{OL} | Low-level output voltage Port 1 and Port 2 (C11x1, F11x1A) | I _(OLmax) = 1.5 mA | V _{CC} = 2.2 V | See Note 1 | V _{SS} | V _{SS} +0.25 | V |
| | | I _(OLmax) = 6 mA | | See Note 2 | V _{SS} | V _{SS} +0.6 | |
| | | I _(OLmax) = 1.5 mA | V _{CC} = 3 V | See Note 1 | V _{SS} | V _{SS} +0.25 | |
| | | I _(OLmax) = 6 mA | | See Note 2 | V _{SS} | V _{SS} +0.6 | |

- NOTES: 1. The maximum total current, I_{OHmax} and I_{OLmax}, for all outputs combined, should not exceed ±12 mA to hold the maximum voltage drop specified.
 2. The maximum total current, I_{OHmax} and I_{OLmax}, for all outputs combined, should not exceed ±48 mA to hold the maximum voltage drop specified.
 3. One output loaded at a time.

output frequency

| PARAMETER | | TEST CONDITIONS | | VCC | MIN | TYP | MAX | UNIT |
|-------------------|--------------------------------|---|--|---------------|-----|---------------|---------------------|------|
| f _{P20} | Output frequency | P2.0/ACLK, C _L = 20 pF | | 2.2 V/3 V | | | f _{System} | MHz |
| f _{TAx} | | TA0, TA1, TA2, C _L = 20 pF Internal clock source, SMCLK signal applied (see Note 1) | | 2.2 V/3 V | dc | | f _{System} | |
| t _{Xdc} | Duty cycle of O/P frequency | P1.4/SMCLK, C _L = 20 pF | f _{SMCLK} = f _{LFXT1} = f _{XT1} | 2.2 V/3 V | | 40% | 60% | |
| | | | f _{SMCLK} = f _{LFXT1} = f _{LF} | | | 35% | 65% | |
| | | | f _{SMCLK} = f _{LFXT1/n} | | | 50%- 15 ns | 50% | |
| | | f _{SMCLK} = f _{DCOCLK} | 2.2 V/3 V | 50%- 15 ns | 50% | 50%+ 15 ns | | |
| t _{TAdc} | | P2.0/ACLK, C _L = 20 pF | f _{P20} = f _{LFXT1} = f _{XT1} | 2.2 V/3 V | | 40% | 60% | |
| | | | f _{P20} = f _{LFXT1} = f _{LF} | | | 30% | 70% | |
| | | | f _{P20} = f _{LFXT1/n} | | | 50% | | |
| t _{TAdc} | | TA0, TA1, TA2, C _L = 20 pF, duty cycle = 50% | | 2.2 V/3 V | | 0 | ±50 | ns |

NOTE 1: The limits of the system clock MCLK has to be met. MCLK and SMCLK can have different frequencies.

MSP430C11x1, MSP430F11x1A MIXED SIGNAL MICROCONTROLLER

SLAS241I – SEPTEMBER 1999 – REVISED DECEMBER 2008

electrical characteristics over recommended ranges of supply voltage and operating free-air temperature (unless otherwise noted) (continued)
outputs – Ports P1 and P2 (continued)

TYPICAL LOW-LEVEL OUTPUT CURRENT
vs
LOW-LEVEL OUTPUT VOLTAGE

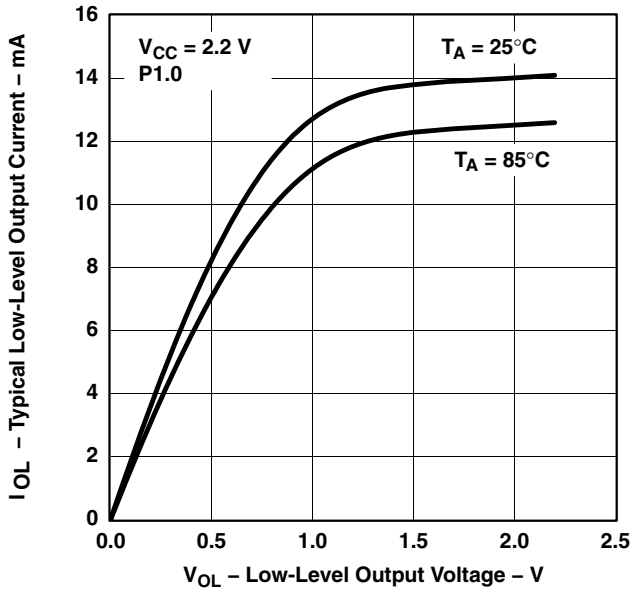


Figure 2

TYPICAL LOW-LEVEL OUTPUT CURRENT
vs
LOW-LEVEL OUTPUT VOLTAGE

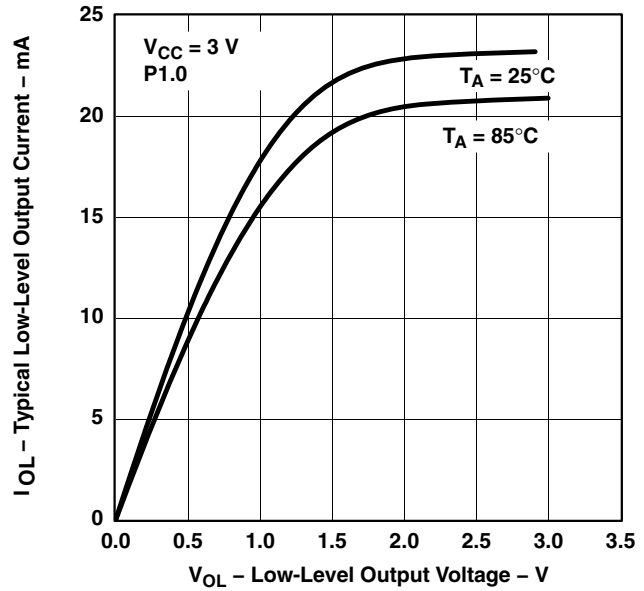


Figure 3

TYPICAL HIGH-LEVEL OUTPUT CURRENT
vs
HIGH-LEVEL OUTPUT VOLTAGE

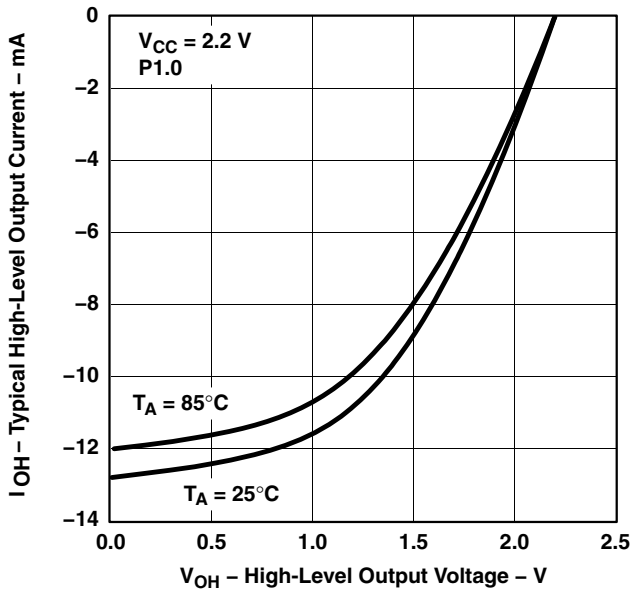


Figure 4

TYPICAL HIGH-LEVEL OUTPUT CURRENT
vs
HIGH-LEVEL OUTPUT VOLTAGE

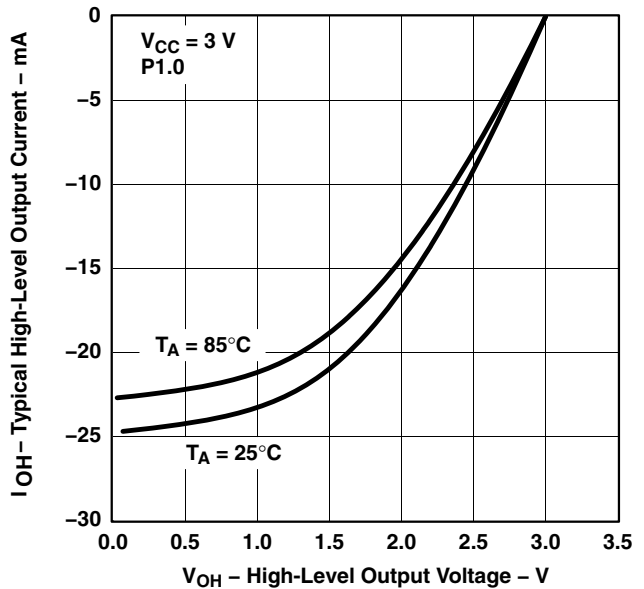


Figure 5

NOTE: One output loaded at a time.



MSP430C11x1, MSP430F11x1A MIXED SIGNAL MICROCONTROLLER

SLAS2411 – SEPTEMBER 1999 – REVISED DECEMBER 2008

electrical characteristics over recommended ranges of supply voltage and operating free-air temperature (unless otherwise noted) (continued)

optional resistors, individually programmable with ROM code (see Note 1)

| PARAMETER | | TEST CONDITIONS | MIN | TYP | MAX | UNIT |
|----------------------|--|-----------------------------|------|-----|-----|------|
| R _(opt1) | Resistors, individually programmable with ROM code, all port pins, values applicable for pulldown and pullup | V _{CC} = 2.2 V/3 V | 2.5 | 5 | 10 | kΩ |
| R _(opt2) | | | 3.8 | 7.7 | 15 | kΩ |
| R _(opt3) | | | 7.6 | 15 | 31 | kΩ |
| R _(opt4) | | | 11.5 | 23 | 46 | kΩ |
| R _(opt5) | | | 23 | 45 | 90 | kΩ |
| R _(opt6) | | | 46 | 90 | 180 | kΩ |
| R _(opt7) | | | 70 | 140 | 280 | kΩ |
| R _(opt8) | | | 115 | 230 | 460 | kΩ |
| R _(opt9) | | | 160 | 320 | 640 | kΩ |
| R _(opt10) | | | 205 | 420 | 830 | kΩ |

NOTE 1: Optional resistors R_{optx} for pulldown or pullup are not available in standard flash memory device MSP430F11x1A.

wake-up from low-power modes (LPMx)

| PARAMETER | | TEST CONDITIONS | MIN | TYP | MAX | UNIT |
|---------------------|-------------------------|--|-----|-----|-----|------|
| t _(LPM0) | Delay time (see Note 1) | V _{CC} = 2.2 V/3 V | | 100 | | ns |
| t _(LPM2) | | V _{CC} = 2.2 V/3 V | | 100 | | |
| t _(LPM3) | | f _(MCLK) = 1 MHz, V _{CC} = 2.2 V/3 V | | | 6 | μs |
| | | f _(MCLK) = 2 MHz, V _{CC} = 2.2 V/3 V | | | 6 | |
| | | f _(MCLK) = 3 MHz, V _{CC} = 2.2 V/3 V | | | 6 | |
| t _(LPM4) | | f _(MCLK) = 1 MHz, V _{CC} = 2.2 V/3 V | | | 6 | μs |
| | | f _(MCLK) = 2 MHz, V _{CC} = 2.2 V/3 V | | | 6 | |
| | | f _(MCLK) = 3 MHz, V _{CC} = 2.2 V/3 V | | | 6 | |

NOTE 1: Parameter applicable only if DCOCLK is used for MCLK.

RAM

| PARAMETER | | MIN | TYP | MAX | UNIT |
|---------------------|-------------------------|-----|-----|-----|------|
| V _(RAMh) | CPU halted (see Note 1) | 1.6 | | | V |

NOTE 1: This parameter defines the minimum supply voltage V_{CC} when the data in the program memory RAM remains unchanged. No program execution should happen during this supply voltage condition.



MSP430C11x1, MSP430F11x1A MIXED SIGNAL MICROCONTROLLER

SLAS241I – SEPTEMBER 1999 – REVISED DECEMBER 2008

electrical characteristics over recommended ranges of supply voltage and operating free-air temperature (unless otherwise noted) (continued)

Comparator_A (see Note 1)

| PARAMETER | | TEST CONDITIONS | MIN | TYP | MAX | UNIT | | |
|------------------------------------|--|---|------------------------------------|-----|------|---------------|---------------|----|
| $I_{(DD)}$ | | CAON=1, CARSEL=0, CAREF=0 | $V_{CC} = 2.2\text{ V}$ | 25 | 40 | μA | | |
| | | | $V_{CC} = 3\text{ V}$ | 45 | 60 | | | |
| $I_{(\text{Ref ladder/RefDiode})}$ | | CAON=1, CARSEL=0, CAREF=1/2/3, no load at P2.3/CA0/TA1 and P2.4/CA1/TA2 | $V_{CC} = 2.2\text{ V}$ | 30 | 50 | μA | | |
| | | | $V_{CC} = 3\text{ V}$ | 45 | 71 | | | |
| $V_{(IC)}$ | Common-mode input voltage | CAON = 1 | $V_{CC} = 2.2\text{ V}/3\text{ V}$ | | 0 | $V_{CC}-1$ | V | |
| $V_{(\text{Ref025})}$ | $\frac{\text{Voltage @ } 0.25\text{ V}_{CC} \text{ node}}{V_{CC}}$ | PCA0=1, CARSEL=1, CAREF=1, No load at P2.3/CA0/TA1 and P2.4/CA1/TA2 | $V_{CC} = 2.2\text{ V}/3\text{ V}$ | | 0.23 | 0.24 | 0.25 | |
| $V_{(\text{Ref050})}$ | $\frac{\text{Voltage @ } 0.5\text{ V}_{CC} \text{ node}}{V_{CC}}$ | PCA0=1, CARSEL=1, CAREF=2, No load at P2.3/CA0/TA1 and P2.4/CA1/TA2 | $V_{CC} = 2.2\text{ V}/3\text{ V}$ | | 0.47 | 0.48 | 0.5 | |
| $V_{(\text{RefVT})}$ | (see Figure 6 and Figure 7) | PCA0=1, CARSEL=1, CAREF=3, No load at P2.3/CA0/TA1 and P2.4/CA1/TA2, $T_A = 85^\circ\text{C}$ | $V_{CC} = 2.2\text{ V}$ | 390 | 480 | 540 | mV | |
| | | | $V_{CC} = 3\text{ V}$ | 400 | 490 | 550 | | |
| $V_{(\text{offset})}$ | Offset voltage | See Note 2 | $V_{CC} = 2.2\text{ V}/3\text{ V}$ | | -30 | 30 | mV | |
| V_{hys} | Input hysteresis | CAON=1 | $V_{CC} = 2.2\text{ V}/3\text{ V}$ | | 0 | 0.7 | 1.4 | mV |
| $t_{(\text{response LH})}$ | | $T_A = 25^\circ\text{C}$, Overdrive 10 mV, Without filter: CAF=0 | $V_{CC} = 2.2\text{ V}$ | 160 | 210 | 300 | ns | |
| | | | $V_{CC} = 3\text{ V}$ | 90 | 150 | 240 | | |
| | | $T_A = 25^\circ\text{C}$, Overdrive 10 mV, With filter: CAF=1 | $V_{CC} = 2.2\text{ V}$ | 1.4 | 1.9 | 3.4 | μs | |
| | | | $V_{CC} = 3\text{ V}$ | 0.9 | 1.5 | 2.6 | | |
| $t_{(\text{response HL})}$ | | $T_A = 25^\circ\text{C}$, Overdrive 10 mV, Without filter: CAF=0 | $V_{CC} = 2.2\text{ V}$ | 130 | 210 | 300 | ns | |
| | | | $V_{CC} = 3\text{ V}$ | 80 | 150 | 240 | | |
| | | $T_A = 25^\circ\text{C}$, Overdrive 10 mV, With filter: CAF=1 | $V_{CC} = 2.2\text{ V}$ | 1.4 | 1.9 | 3.4 | μs | |
| | | | $V_{CC} = 3\text{ V}$ | 0.9 | 1.5 | 2.6 | | |

- NOTES: 1. The leakage current for the Comparator_A terminals is identical to $I_{\text{kg}(P_{x.x})}$ specification.
 2. The input offset voltage can be cancelled by using the CAEX bit to invert the Comparator_A inputs on successive measurements. The two successive measurements are then summed together.



electrical characteristics over recommended ranges of supply voltage and operating free-air temperature (unless otherwise noted) (continued)

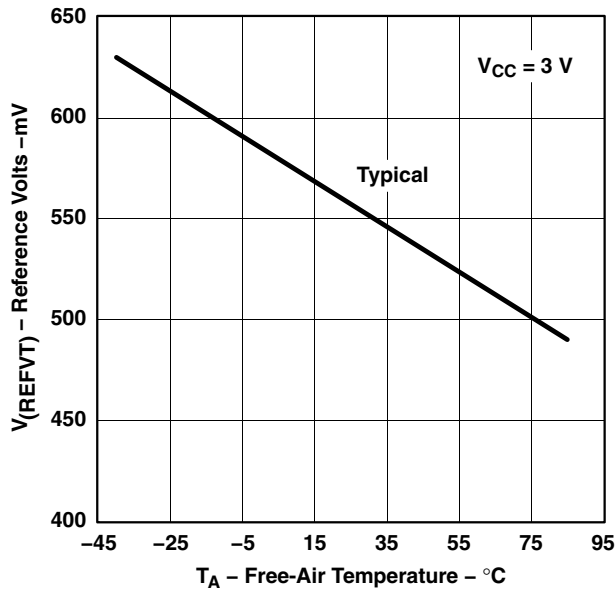


Figure 6. V_(REFVT) vs Temperature, V_{CC} = 3 V

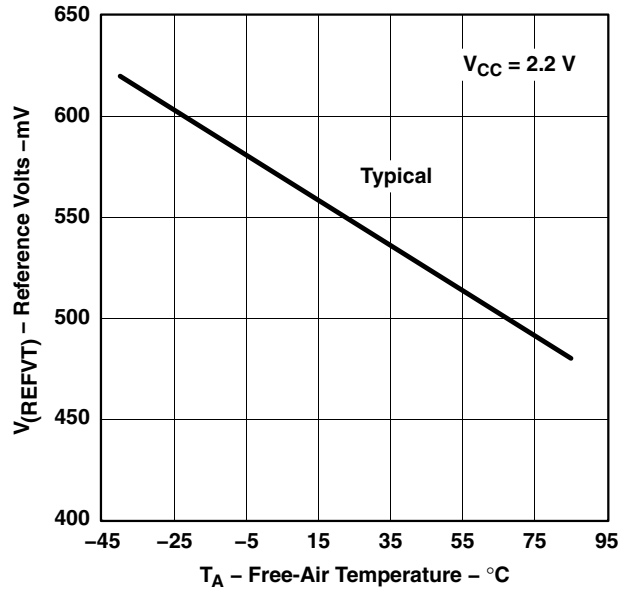


Figure 7. V_(REFVT) vs Temperature, V_{CC} = 2.2 V

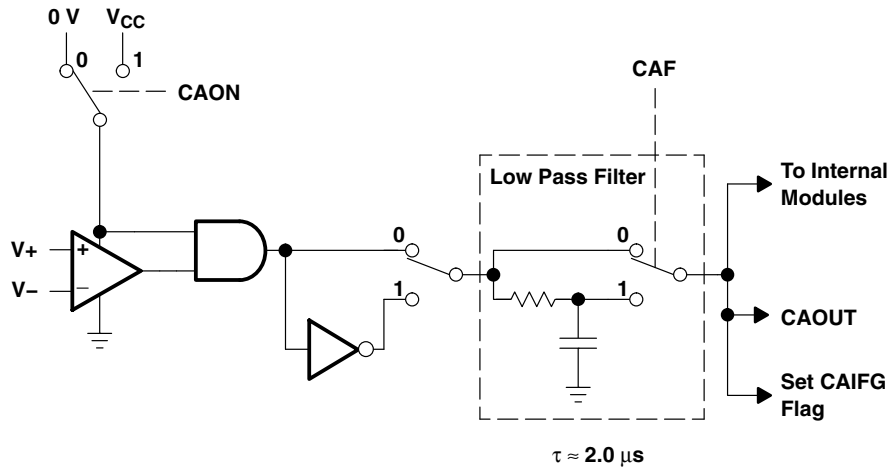


Figure 8. Block Diagram of Comparator_A Module

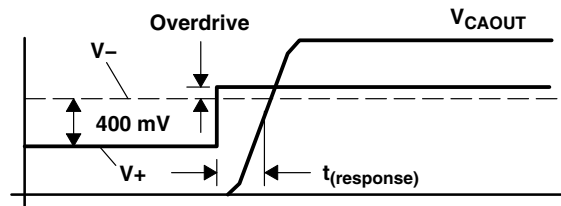


Figure 9. Overdrive Definition

MSP430C11x1, MSP430F11x1A MIXED SIGNAL MICROCONTROLLER

SLAS241I – SEPTEMBER 1999 – REVISED DECEMBER 2008

electrical characteristics over recommended ranges of supply voltage and operating free-air temperature (unless otherwise noted) (continued)

PUC/POR

| PARAMETER | TEST CONDITIONS | MIN | TYP | MAX | UNIT | | |
|--------------------|--|------------------------------|-----|--------------------|---------|---|-----|
| $t_{(POR_Delay)}$ | Internal time delay to release POR | | 150 | 250 | μs | | |
| V_{POR} | V_{CC} threshold at which POR release delay time begins (see Note 1) | $T_A = -40^\circ C$ | | 1.4 | 1.8 | V | |
| | | | | $T_A = 25^\circ C$ | 1.1 | | 1.5 |
| | | | | $T_A = 85^\circ C$ | 0.8 | | 1.2 |
| $V_{(min)}$ | V_{CC} threshold required to generate a POR (see Note 2) | $V_{CC} dV/dt \geq 1V/ms$ | | 0.2 | V | | |
| $t_{(reset)}$ | RST/NMI low time for PUC/POR | Reset is accepted internally | | 2 | μs | | |

- NOTES: 1. V_{CC} rise time $dV/dt \geq 1V/ms$.
 2. When driving V_{CC} low in order to generate a POR condition, V_{CC} should be driven to 200mV or lower with a dV/dt equal to or less than $-1V/ms$. The corresponding rising V_{CC} must also meet the dV/dt requirement equal to or greater than $+1V/ms$.

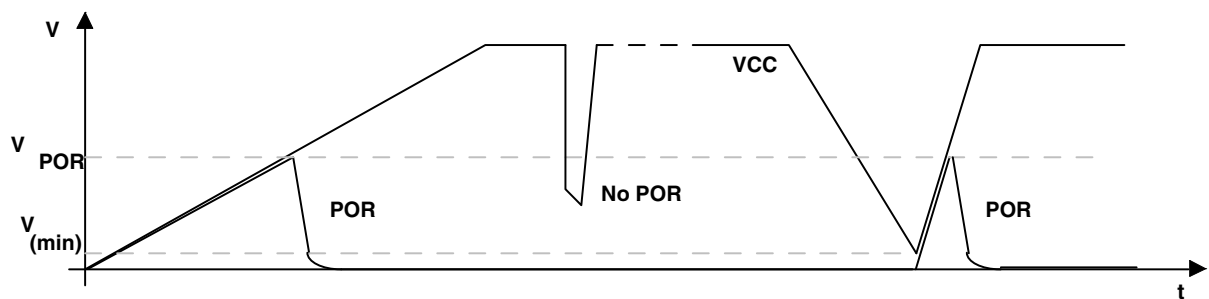


Figure 10. Power-On Reset (POR) vs Supply Voltage

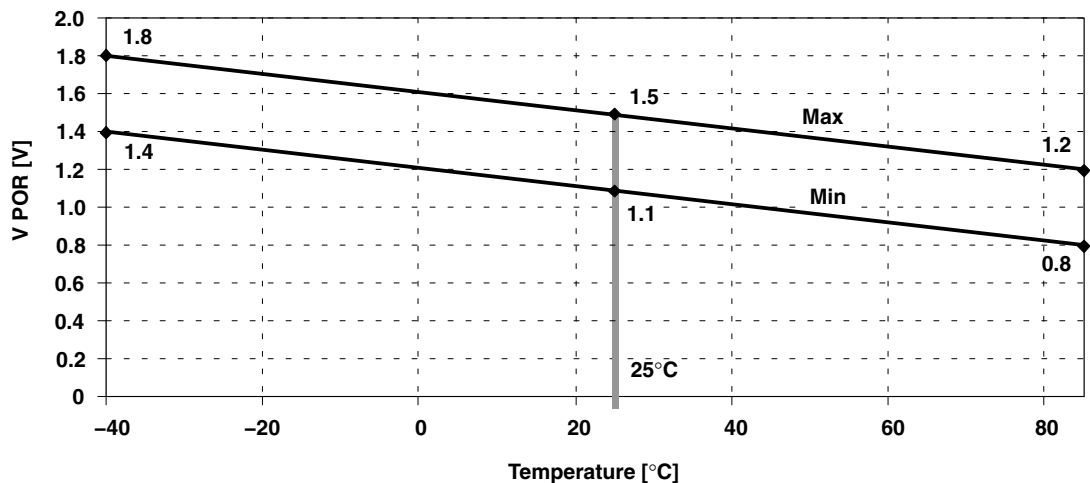


Figure 11. V_{POR} vs Temperature



electrical characteristics over recommended ranges of supply voltage and operating free-air temperature (unless otherwise noted) (continued)

DCO

| PARAMETER | TEST CONDITIONS | V _{CC} | MIN | TYP | MAX | UNIT |
|----------------------|---|-----------------|----------------------------|----------------------------|----------------------------|-------|
| f _(DCO03) | R _{sel} = 0, DCO = 3, MOD = 0, DCOR = 0, T _A = 25°C | 2.2 V | 0.08 | 0.12 | 0.15 | MHz |
| | | 3 V | 0.08 | 0.13 | 0.16 | |
| f _(DCO13) | R _{sel} = 1, DCO = 3, MOD = 0, DCOR = 0, T _A = 25°C | 2.2 V | 0.14 | 0.19 | 0.23 | MHz |
| | | 3 V | 0.14 | 0.18 | 0.22 | |
| f _(DCO23) | R _{sel} = 2, DCO = 3, MOD = 0, DCOR = 0, T _A = 25°C | 2.2 V | 0.22 | 0.30 | 0.36 | MHz |
| | | 3 V | 0.22 | 0.28 | 0.34 | |
| f _(DCO33) | R _{sel} = 3, DCO = 3, MOD = 0, DCOR = 0, T _A = 25°C | 2.2 V | 0.37 | 0.49 | 0.59 | MHz |
| | | 3 V | 0.37 | 0.47 | 0.56 | |
| f _(DCO43) | R _{sel} = 4, DCO = 3, MOD = 0, DCOR = 0, T _A = 25°C | 2.2 V | 0.61 | 0.77 | 0.93 | MHz |
| | | 3 V | 0.61 | 0.75 | 0.9 | |
| f _(DCO53) | R _{sel} = 5, DCO = 3, MOD = 0, DCOR = 0, T _A = 25°C | 2.2 V | 1 | 1.2 | 1.5 | MHz |
| | | 3 V | 1 | 1.3 | 1.5 | |
| f _(DCO63) | R _{sel} = 6, DCO = 3, MOD = 0, DCOR = 0, T _A = 25°C | 2.2 V | 1.6 | 1.9 | 2.2 | MHz |
| | | 3 V | 1.69 | 2 | 2.29 | |
| f _(DCO73) | R _{sel} = 7, DCO = 3, MOD = 0, DCOR = 0, T _A = 25°C | 2.2 V | 2.4 | 2.9 | 3.4 | MHz |
| | | 3 V | 2.7 | 3.2 | 3.65 | |
| f _(DCO77) | R _{sel} = 7, DCO = 7, MOD = 0, DCOR = 0, T _A = 25°C | 2.2 V | 4 | 4.5 | 4.9 | MHz |
| | | 3 V | 4.4 | 4.9 | 5.4 | |
| f _(DCO47) | R _{sel} = 4, DCO = 7, MOD = 0, DCOR = 0, T _A = 25°C | 2.2 V/3 V | f _{DCO40} x1.7 | f _{DCO40} x2.1 | f _{DCO40} x2.5 | MHz |
| S _(Rsel) | S _R = f _{Rsel+1} /f _{Rsel} | 2.2 V/3 V | 1.35 | 1.65 | 2 | ratio |
| S _(DCO) | S _{DCO} = f _{DCO+1} /f _{DCO} | 2.2 V/3 V | 1.07 | 1.12 | 1.16 | |
| D _t | Temperature drift, R _{sel} = 4, DCO = 3, MOD = 0 (see Note 1) | 2.2 V | -0.31 | -0.36 | -0.40 | %°C |
| | | 3 V | -0.33 | -0.38 | -0.43 | |
| D _V | Drift with V _{CC} variation, R _{sel} = 4, DCO = 3, MOD = 0 (see Note 1) | 2.2 V/3 V | 0 | 5 | 10 | %/V |

NOTE 1: These parameters are not production tested.

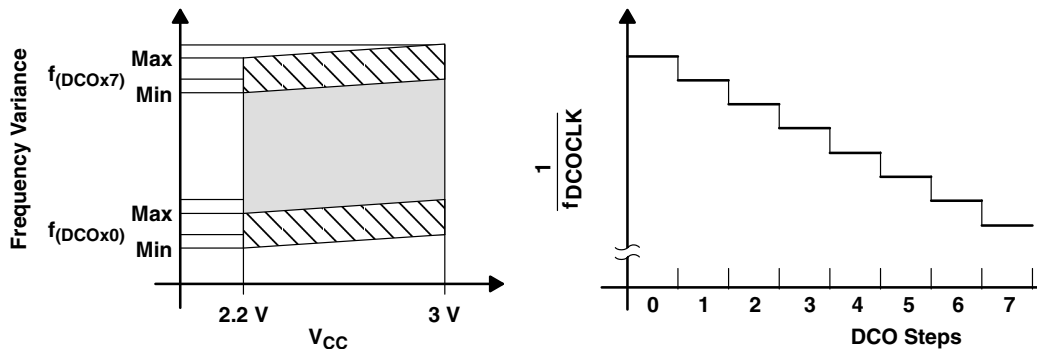


Figure 12. DCO Characteristics

MSP430C11x1, MSP430F11x1A MIXED SIGNAL MICROCONTROLLER

SLAS241I – SEPTEMBER 1999 – REVISED DECEMBER 2008

electrical characteristics over recommended ranges of supply voltage and operating free-air temperature (unless otherwise noted) (continued)

main DCO characteristics

- Individual devices have a minimum and maximum operation frequency. The specified parameters for $f_{(DCOx0)}$ to $f_{(DCOx7)}$ are valid for all devices.
- All ranges selected by Rsel(n) overlap with Rsel(n+1): Rsel0 overlaps Rsel1, ... Rsel6 overlaps Rsel7.
- DCO control bits DCO0, DCO1, and DCO2 have a step size as defined by parameter S_{DCO}.
- Modulation control bits MOD0 to MOD4 select how often $f_{(DCO+1)}$ is used within the period of 32 DCOCLK cycles. The frequency $f_{(DCO)}$ is used for the remaining cycles. The frequency is an average equal to:

$$f_{\text{average}} = \frac{32 \times f_{(DCO)} \times f_{(DCO+1)}}{\text{MOD} \times f_{(DCO)} + (32 - \text{MOD}) \times f_{(DCO+1)}}$$

DCO when using R_{OSC} (see Note 1)

| PARAMETER | TEST CONDITIONS | V _{CC} | MIN | TYP | MAX | UNIT |
|---|---|-----------------|-----|----------|-----|------|
| f _{DCO} , DCO output frequency | R _{sel} = 4, DCO = 3, MOD = 0, DCOR = 1, T _A = 25°C | 2.2 V | | 1.8±15% | | MHz |
| | | 3 V | | 1.95±15% | | MHz |
| D _t , Temperature drift | R _{sel} = 4, DCO = 3, MOD = 0, DCOR = 1 | 2.2 V/3 V | | ±0.1 | | %/°C |
| D _v , Drift with V _{CC} variation | R _{sel} = 4, DCO = 3, MOD = 0, DCOR = 1 | 2.2 V/3 V | | 10 | | %/V |

NOTES: 1. R_{OSC} = 100kΩ. Metal film resistor, type 0257. 0.6 watt with 1% tolerance and T_K = ±50ppm/°C.

crystal oscillator, LFXT1

| PARAMETER | TEST CONDITIONS | MIN | TYP | MAX | UNIT |
|--------------------------------------|--|--|---------------------|---------------------|------|
| C _{XIN} Input capacitance | XTS=0, LF mode selected, V _{CC} = 2.2 V / 3 V | | 12 | | pF |
| | XTS=1, XT1 mode selected, V _{CC} = 2.2 V / 3 V (see Note 1) | | 2 | | |
| C _{XOUT} Output capacitance | XTS=0, LF mode selected, V _{CC} = 2.2 V / 3 V | | 12 | | pF |
| | XTS=1, XT1 mode selected, V _{CC} = 2.2 V / 3 V (see Note 1) | | 2 | | |
| V _{IL} | Input levels at XIN | V _{CC} = 2.2 V/3 V (see Note 2) | V _{SS} | 0.2×V _{CC} | V |
| V _{IH} | | | 0.8×V _{CC} | V _{CC} | |

- NOTES: 1. Requires external capacitors at both terminals. Values are specified by crystal manufacturers.
2. Applies only when using an external logic-level clock source. Not applicable when using a crystal or resonator.



electrical characteristics over recommended ranges of supply voltage and operating free-air temperature (unless otherwise noted) (continued)

flash memory

| PARAMETER | | TEST CONDITIONS | V _{CC} | MIN | TYP | MAX | UNIT |
|----------------------------|---|-----------------------|-----------------|-----------------|-----------------|-----|------------------|
| V _{CC(PGM/ERASE)} | Program and erase supply voltage | | | 2.7 | | 3.6 | V |
| f _{FTG} | Flash Timing Generator frequency | | | 257 | | 476 | kHz |
| I _{PGM} | Supply current from V _{CC} during program | | 2.7 V/ 3.6 V | | 3 | 5 | mA |
| I _{ERASE} | Supply current from V _{CC} during erase | | 2.7 V/ 3.6 V | | 3 | 7 | mA |
| t _{CPT} | Cumulative program time | See Note 1 | 2.7 V/ 3.6 V | | | 4 | ms |
| t _{CMErase} | Cumulative mass erase time | See Note 2 | 2.7 V/ 3.6 V | 200 | | | ms |
| | Program/erase endurance | | | 10 ⁴ | 10 ⁵ | | cycles |
| t _{Retention} | Data retention duration | T _J = 25°C | | 100 | | | years |
| t _{Word} | Word or byte program time | See Note 3 | | | 35 | | t _{FTG} |
| t _{Block, 0} | Block program time for first byte or word | | | | 30 | | |
| t _{Block, 1-63} | Block program time for each additional byte or word | | | | 21 | | |
| t _{Block, End} | Block program end-sequence wait time | | | | 6 | | |
| t _{Mass Erase} | Mass erase time | | | | 5297 | | |
| t _{Seg Erase} | Segment erase time | | | | 4819 | | |

- NOTES: 1. The cumulative program time must not be exceeded when writing to a 64-byte flash block. This parameter applies to all programming methods: individual word/byte write and block write modes.
2. The mass erase duration generated by the flash timing generator is at least 11.1ms (= 5297x1/f_{FTG,max} = 5297x1/476kHz). To achieve the required cumulative mass erase time the Flash Controller's mass erase operation can be repeated until this time is met. (A worst case minimum of 19 cycles are required).
3. These values are hardwired into the Flash Controller's state machine (t_{FTG} = 1/f_{FTG}).

JTAG interface

| PARAMETER | | TEST CONDITIONS | V _{CC} | MIN | TYP | MAX | UNIT |
|-----------------------|--------------------------------------|-----------------|-----------------|-----|-----|-----|------|
| f _{TCK} | TCK input frequency | see Note 1 | 2.2 V | 0 | | 5 | MHz |
| | | | 3 V | 0 | | 10 | MHz |
| R _{Internal} | Internal pulldown resistance on TEST | see Note 2 | 2.2 V/ 3 V | 25 | 60 | 90 | kΩ |

- NOTES: 1. f_{TCK} may be restricted to meet the timing requirements of the module selected.
2. TEST pull-down resistor implemented in all versions.

JTAG fuse (see Note 1)

| PARAMETER | | TEST CONDITIONS | V _{CC} | MIN | TYP | MAX | UNIT |
|---------------------|---|-----------------------|-----------------|-----|-----|-----|------|
| V _{CC(FB)} | Supply voltage during fuse-blow condition | T _A = 25°C | | 2.5 | | | V |
| V _{FB} | Voltage level on TEST for fuse blow ('C11x1) | | | 3.5 | | 3.9 | V |
| | Voltage level on TEST for fuse blow ('F11x1A) | | | 6 | | 7 | V |
| I _{FB} | Supply current into TEST during fuse blow | | | | | 100 | mA |
| t _{FB} | Time to blow fuse | | | | | 1 | ms |

- NOTES: 1. Once the fuse is blown, no further access to the MSP430 JTAG/Test and emulation (F versions only) features is possible. The JTAG block is switched to bypass mode.

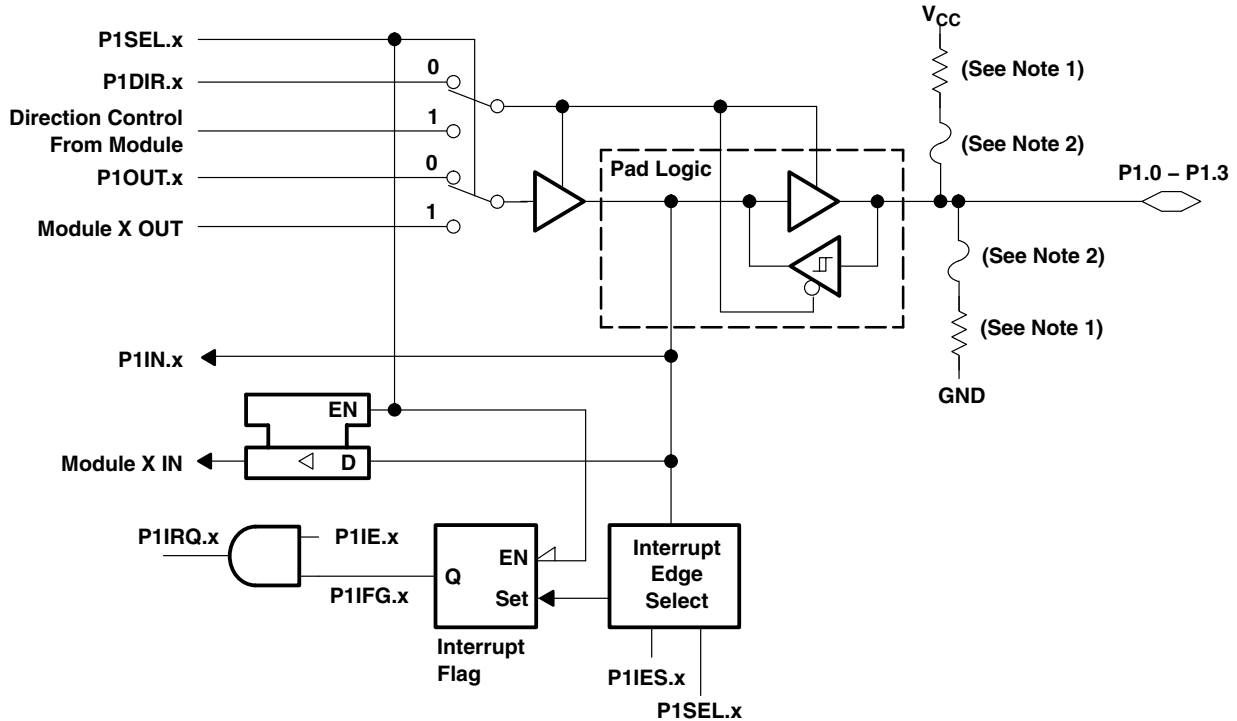
MSP430C11x1, MSP430F11x1A MIXED SIGNAL MICROCONTROLLER

SLAS241I – SEPTEMBER 1999 – REVISED DECEMBER 2008

APPLICATION INFORMATION

input/output schematic

Port P1, P1.0 to P1.3, input/output with Schmitt trigger



NOTE: x = Bit/identifier, 0 to 3 for port P1

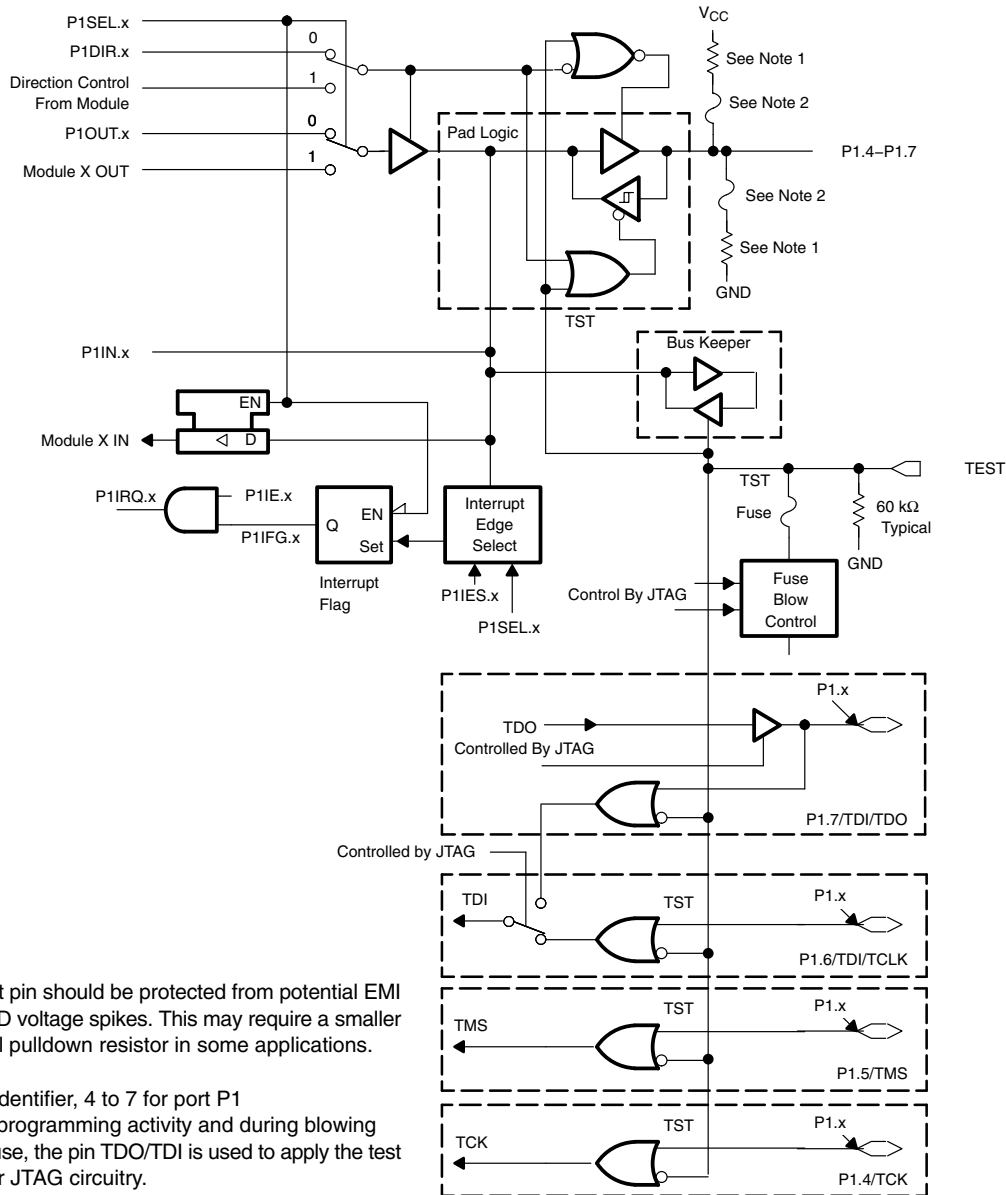
| PnSel.x | PnDIR.x | Direction control from module | PnOUT.x | Module X OUT | PnIN.x | Module X IN | PnIE.x | PnIFG.x | PnIES.x |
|---------|---------|-------------------------------|---------|--------------------------|--------|--------------------|--------|---------|---------|
| P1Sel.0 | P1DIR.0 | P1DIR.0 | P1OUT.0 | V _{SS} | P1IN.0 | TACLK [†] | P1IE.0 | P1IFG.0 | P1IES.0 |
| P1Sel.1 | P1DIR.1 | P1DIR.1 | P1OUT.1 | Out0 signal [†] | P1IN.1 | CCI0A [†] | P1IE.1 | P1IFG.1 | P1IES.1 |
| P1Sel.2 | P1DIR.2 | P1DIR.2 | P1OUT.2 | Out1 signal [†] | P1IN.2 | CCI1A [†] | P1IE.2 | P1IFG.2 | P1IES.2 |
| P1Sel.3 | P1DIR.3 | P1DIR.3 | P1OUT.3 | Out2 signal [†] | P1IN.3 | CCI2A [†] | P1IE.3 | P1IFG.3 | P1IES.3 |

[†] Signal from or to Timer_A

- NOTES: 1. Optional selection of pullup or pulldown resistors with ROM (masked) versions
2. Fuses for optional pullup and pulldown resistors can only be programmed at the factory (ROM versions only).

APPLICATION INFORMATION

Port P1, P1.4 to P1.7, input/output with Schmitt trigger and in-system access features



NOTE: The test pin should be protected from potential EMI and ESD voltage spikes. This may require a smaller external pulldown resistor in some applications.

x = Bit identifier, 4 to 7 for port P1
During programming activity and during blowing of the fuse, the pin TDO/TDI is used to apply the test input for JTAG circuitry.

| PnSel.x | PnDIR.x | Direction control from module | PnOUT.x | Module X OUT | PnIN.x | Module X IN | PnIE.x | PnIFG.x | PnIES.x |
|---------|---------|-------------------------------|---------|--------------|--------|-------------|--------|---------|---------|
| P1Sel.4 | P1DIR.4 | P1DIR.4 | P1OUT.4 | SMCLK | P1IN.4 | unused | P1IE.4 | P1IFG.4 | P1IES.4 |
| P1Sel.5 | P1DIR.5 | P1DIR.5 | P1OUT.5 | Out0 signal† | P1IN.5 | unused | P1IE.5 | P1IFG.5 | P1IES.5 |
| P1Sel.6 | P1DIR.6 | P1DIR.6 | P1OUT.6 | Out1 signal† | P1IN.6 | unused | P1IE.6 | P1IFG.6 | P1IES.6 |
| P1Sel.7 | P1DIR.7 | P1DIR.7 | P1OUT.7 | Out2 signal† | P1IN.7 | unused | P1IE.7 | P1IFG.7 | P1IES.7 |

† Signal from or to Timer_A

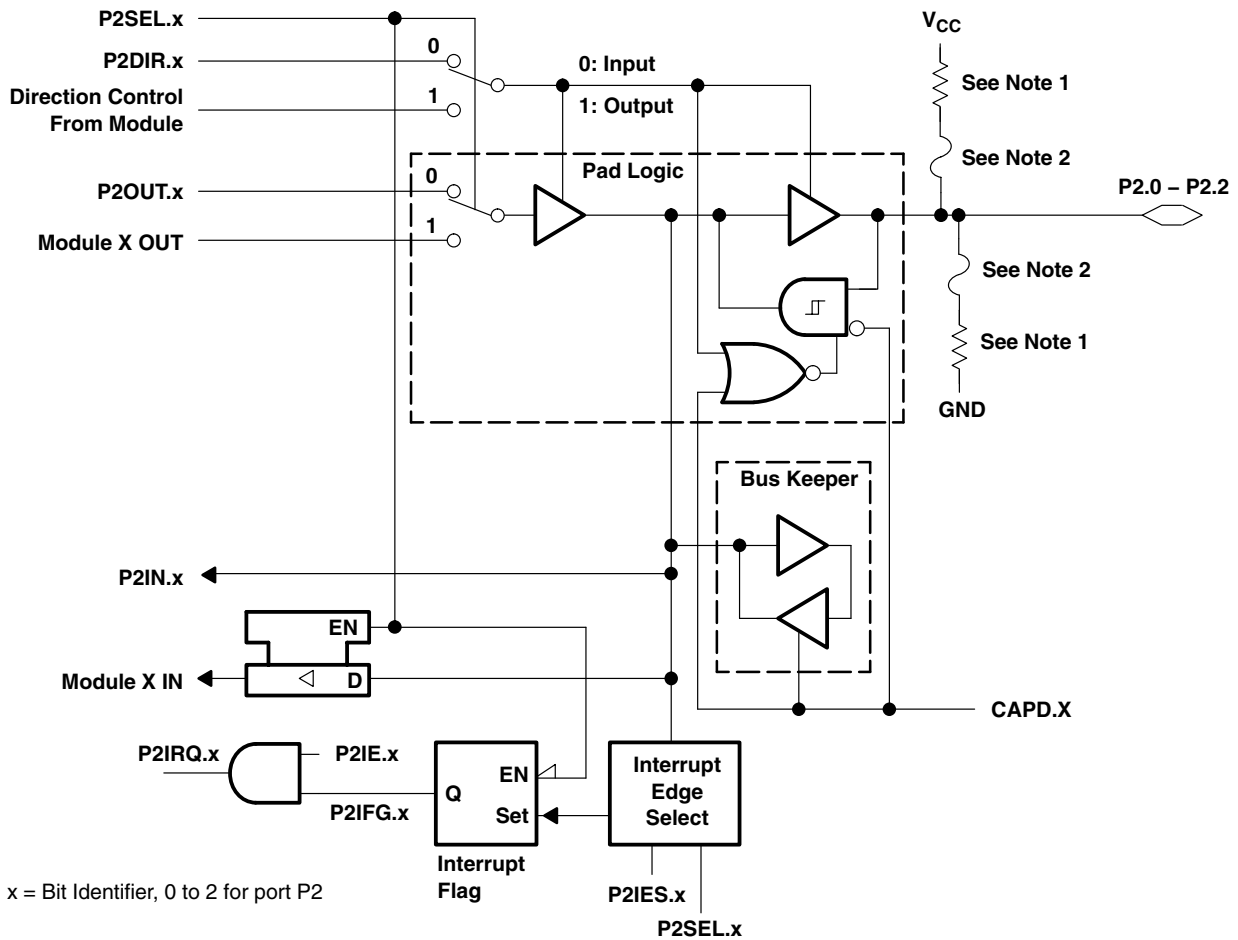
- NOTES: 1. Optional selection of pullup or pulldown resistors with ROM (masked) versions
2. Fuses for optional pullup and pulldown resistors can only be programmed at the factory (ROM versions only).

MSP430C11x1, MSP430F11x1A MIXED SIGNAL MICROCONTROLLER

SLAS2411 – SEPTEMBER 1999 – REVISED DECEMBER 2008

APPLICATION INFORMATION

Port P2, P2.0 to P2.2, input/output with Schmitt trigger



NOTE: x = Bit Identifier, 0 to 2 for port P2

| PnSel.x | PnDIR.x | Direction control from module | PnOUT.x | Module X OUT | PnIN.x | Module X IN | PnIE.x | PnIFG.x | PnIES.x |
|---------|---------|-------------------------------|---------|-----------------|--------|--------------------|--------|---------|---------|
| P2Sel.0 | P2DIR.0 | P2DIR.0 | P2OUT.0 | ACLK | P2IN.0 | unused | P2IE.0 | P2IFG.0 | P1IES.0 |
| P2Sel.1 | P2DIR.1 | P2DIR.1 | P2OUT.1 | V _{SS} | P2IN.1 | INCLK [†] | P2IE.1 | P2IFG.1 | P1IES.1 |
| P2Sel.2 | P2DIR.2 | P2DIR.2 | P2OUT.2 | CAOUT | P2IN.2 | CCI0B [†] | P2IE.2 | P2IFG.2 | P1IES.2 |

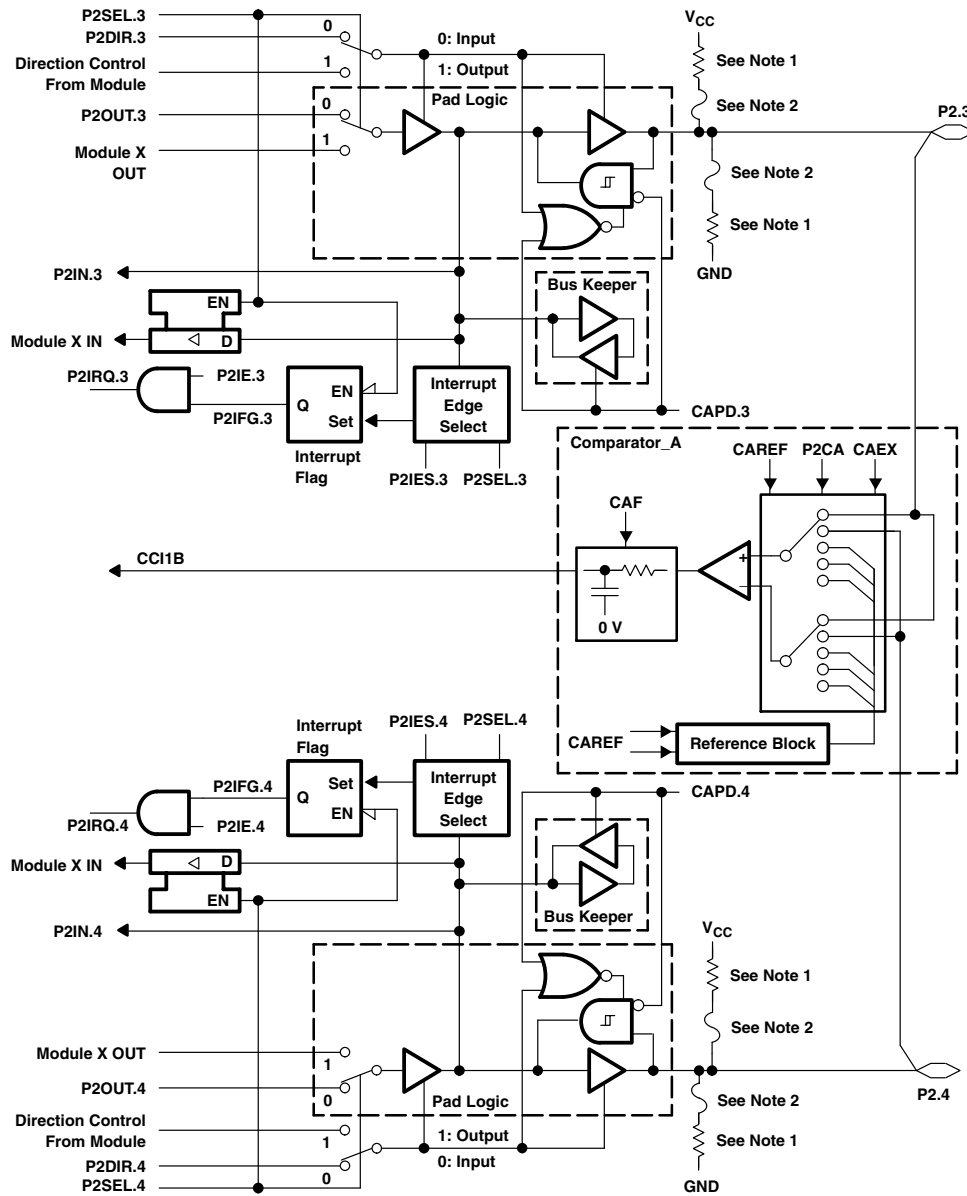
[†] Signal from or to Timer_A

NOTES: 1. Optional selection of pullup or pulldown resistors with ROM (masked) versions

2. Fuses for optional pullup and pulldown resistors can only be programmed at the factory (ROM versions only).

APPLICATION INFORMATION

Port P2, P2.3 to P2.4, input/output with Schmitt trigger



| PnSel.x | PnDIR.x | Direction control from module | PnOUT.x | Module X OUT | PnIN.x | Module X IN | PnIE.x | PnIFG.x | PnIES.x |
|---------|---------|-------------------------------|---------|--------------|--------|-------------|--------|---------|---------|
| P2Sel.3 | P2DIR.3 | P2DIR.3 | P2OUT.3 | Out1 signal† | P2IN.3 | unused | P2IE.3 | P2IFG.3 | P1IES.3 |
| P2Sel.4 | P2DIR.4 | P2DIR.4 | P2OUT.4 | Out2 signal† | P2IN.4 | unused | P2IE.4 | P2IFG.4 | P1IES.4 |

† Signal from Timer_A

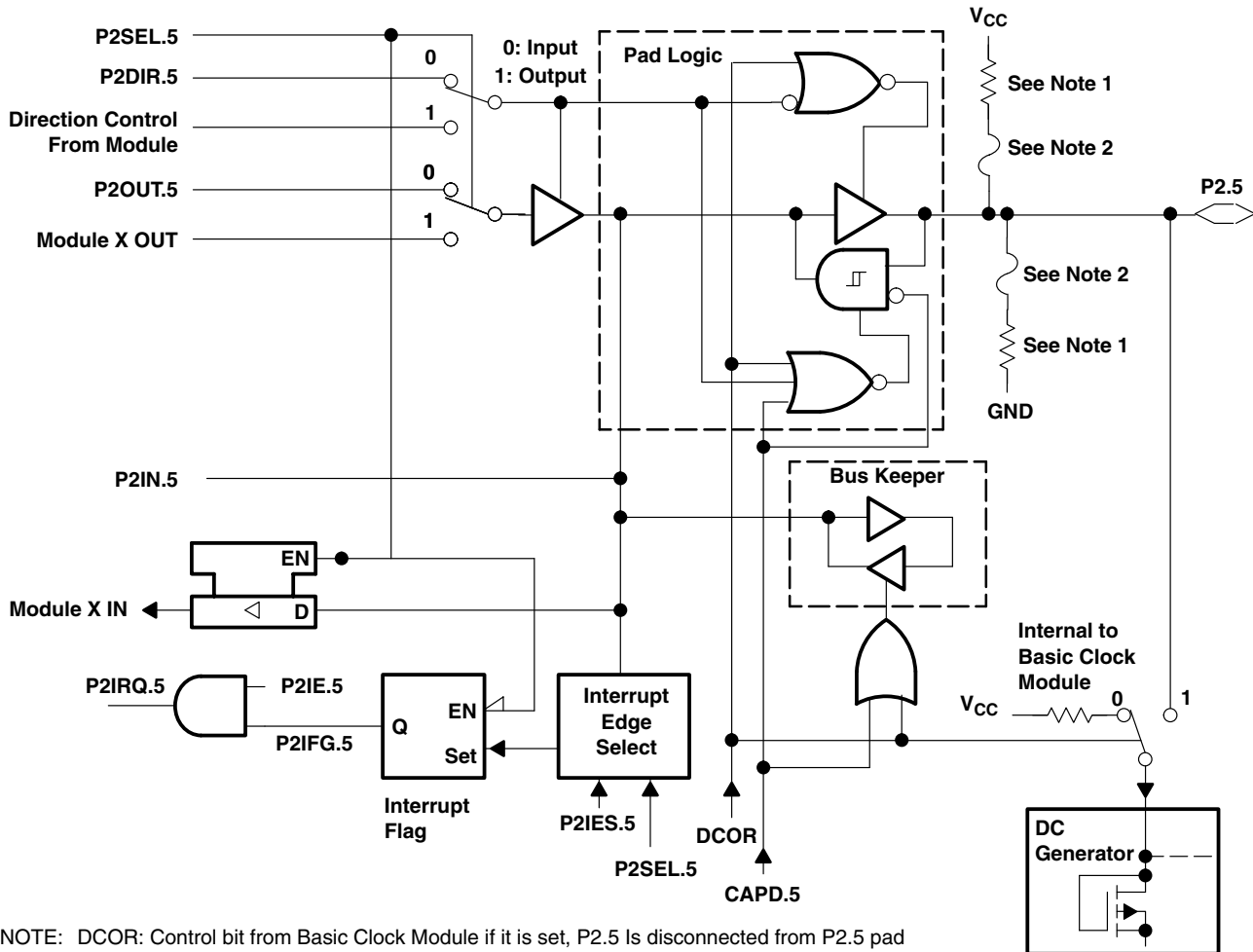
- NOTES: 1. Optional selection of pullup or pulldown resistors with ROM (masked) versions
2. Fuses for optional pullup and pulldown resistors can only be programmed at the factory (ROM versions only).

MSP430C11x1, MSP430F11x1A MIXED SIGNAL MICROCONTROLLER

SLAS241I – SEPTEMBER 1999 – REVISED DECEMBER 2008

APPLICATION INFORMATION

Port P2, P2.5, input/output with Schmitt trigger and R_{OSC} function for the Basic Clock module



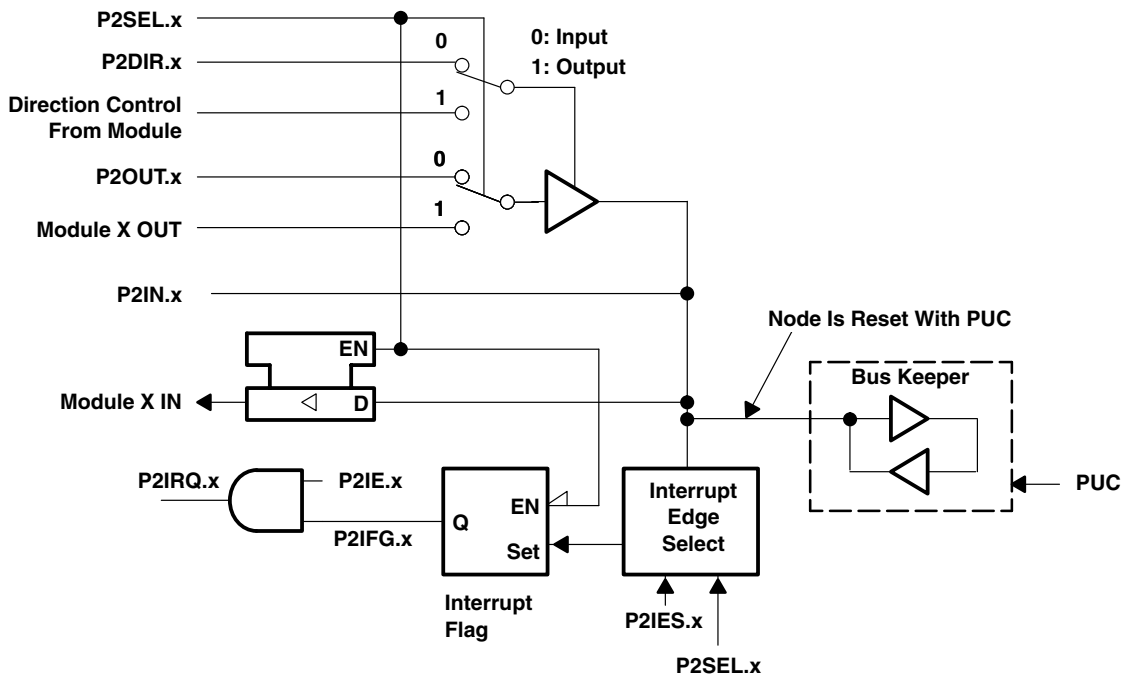
NOTE: DCOR: Control bit from Basic Clock Module if it is set, P2.5 is disconnected from P2.5 pad

| PnSel.x | PnDIR.x | Direction control from module | PnOUT.x | Module X OUT | PnIN.x | Module X IN | PnIE.x | PnIFG.x | PnIES.x |
|---------|---------|-------------------------------|---------|-----------------|--------|-------------|--------|---------|---------|
| P2Sel.5 | P2DIR.5 | P2DIR.5 | P2OUT.5 | V _{SS} | P2IN.5 | unused | P2IE.5 | P2IFG.5 | P2IES.5 |

NOTES: 1. Optional selection of pullup or pulldown resistors with ROM (masked) versions
2. Fuses for optional pullup and pulldown resistors can only be programmed at the factory (ROM versions only).

APPLICATION INFORMATION

Port P2, unbonded bits P2.6 and P2.7



NOTE: x = Bit/identifier, 6 to 7 for port P2 without external pins

| P2Sel.x | P2DIR.x | Direction control from module | P2OUT.x | Module X OUT | P2IN.x | Module X IN | P2IE.x | P2IFG.x | P2IES.x |
|---------|---------|-------------------------------|---------|-----------------|--------|-------------|--------|---------|---------|
| P2Sel.6 | P2DIR.6 | P2DIR.6 | P2OUT.6 | V _{SS} | P2IN.6 | unused | P2IE.6 | P2IFG.6 | P2IES.6 |
| P2Sel.7 | P2DIR.7 | P2DIR.7 | P2OUT.7 | V _{SS} | P2IN.7 | unused | P2IE.7 | P2IFG.7 | P2IES.7 |

NOTE 1: Unbonded bits 6 and 7 of port P2 can be used as software interrupt flags. The interrupt flags can only be influenced by software. They work then as a software interrupt.

MSP430C11x1, MSP430F11x1A MIXED SIGNAL MICROCONTROLLER

SLAS241I – SEPTEMBER 1999 – REVISED DECEMBER 2008

JTAG fuse check mode

MSP430 devices that have the fuse on the TEST terminal have a fuse check mode that tests the continuity of the fuse the first time the JTAG port is accessed after a power-on reset (POR). When activated, a fuse check current, I_{TF} , of 1 mA at 3 V, 2.5 mA at 5 V can flow from the TEST pin to ground if the fuse is not burned. Care must be taken to avoid accidentally activating the fuse check mode and increasing overall system power consumption.

When the TEST pin is taken back low after a test or programming session, the fuse check mode and sense currents are terminated.

Activation of the fuse check mode occurs with the first negative edge on the TMS pin after power up or if TMS is being held low during power up. The second positive edge on the TMS pin deactivates the fuse check mode. After deactivation, the fuse check mode remains inactive until another POR occurs. After each POR the fuse check mode has the potential to be activated.

The fuse check current will only flow when the fuse check mode is active and the TMS pin is in a low state (see Figure 13). Therefore, the additional current flow can be prevented by holding the TMS pin high (default condition).

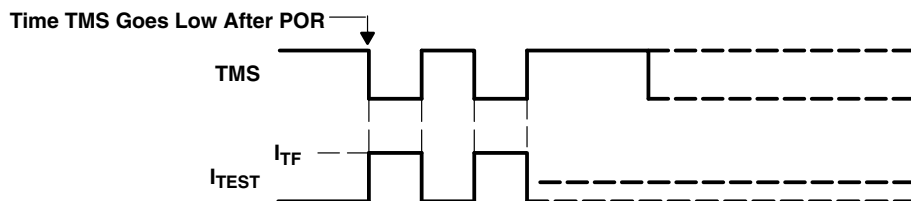


Figure 13. Fuse Check Mode Current, MSP430F11x1A and MSP430C11x1

NOTE:

The CODE and RAM data protection is ensured if the JTAG fuse is blown and the 256-bit bootloader access key is used. Also, see the *bootstrap loader* section for more information.

PACKAGING INFORMATION

| Orderable Device | Status (1) | Package Type | Package Drawing | Pins | Package Qty | Eco Plan (2) | Lead/Ball Finish (6) | MSL Peak Temp (3) | Op Temp (°C) | Device Marking (4/5) | Samples |
|-------------------|---------------|--------------|-----------------|------|-------------|-------------------------|-------------------------|----------------------|--------------|-------------------------|-------------------------|
| MSP430F1101AIDGV | ACTIVE | TVSOP | DGV | 20 | 90 | Green (RoHS & no Sb/Br) | NIPDAU | Level-2-260C-1 YEAR | -40 to 85 | 4F1101A | Samples |
| MSP430F1101AIDGVR | ACTIVE | TVSOP | DGV | 20 | 2000 | Green (RoHS & no Sb/Br) | NIPDAU | Level-2-260C-1 YEAR | -40 to 85 | 4F1101A | Samples |
| MSP430F1101AIDW | ACTIVE | SOIC | DW | 20 | 25 | Green (RoHS & no Sb/Br) | NIPDAU | Level-1-260C-UNLIM | -40 to 85 | M430F1101A | Samples |
| MSP430F1101AIDWR | ACTIVE | SOIC | DW | 20 | 2000 | Green (RoHS & no Sb/Br) | NIPDAU | Level-1-260C-UNLIM | -40 to 85 | M430F1101A | Samples |
| MSP430F1101AIPW | ACTIVE | TSSOP | PW | 20 | 70 | Green (RoHS & no Sb/Br) | NIPDAU | Level-1-260C-UNLIM | -40 to 85 | 430F1101A | Samples |
| MSP430F1101AIPWR | ACTIVE | TSSOP | PW | 20 | 2000 | Green (RoHS & no Sb/Br) | NIPDAU | Level-1-260C-UNLIM | -40 to 85 | 430F1101A | Samples |
| MSP430F1101AIRGER | ACTIVE | VQFN | RGE | 24 | 3000 | Green (RoHS & no Sb/Br) | NIPDAU | Level-2-260C-1 YEAR | -40 to 85 | M430F1101A | Samples |
| MSP430F1101AIRGET | ACTIVE | VQFN | RGE | 24 | 250 | Green (RoHS & no Sb/Br) | NIPDAU | Level-2-260C-1 YEAR | -40 to 85 | M430F1101A | Samples |
| MSP430F1101IDWR | NRND | SOIC | DW | 20 | 2000 | Green (RoHS & no Sb/Br) | NIPDAU | Level-1-260C-UNLIM | -40 to 85 | M430F1101 | |
| MSP430F1111AIDGV | ACTIVE | TVSOP | DGV | 20 | 90 | Green (RoHS & no Sb/Br) | NIPDAU | Level-2-260C-1 YEAR | -40 to 85 | 4F1111A | Samples |
| MSP430F1111AIDW | ACTIVE | SOIC | DW | 20 | 25 | Green (RoHS & no Sb/Br) | NIPDAU | Level-1-260C-UNLIM | -40 to 85 | M430F1111A | Samples |
| MSP430F1111AIDWR | ACTIVE | SOIC | DW | 20 | 2000 | Green (RoHS & no Sb/Br) | NIPDAU | Level-1-260C-UNLIM | -40 to 85 | M430F1111A | Samples |
| MSP430F1111AIPW | ACTIVE | TSSOP | PW | 20 | 70 | Green (RoHS & no Sb/Br) | NIPDAU | Level-1-260C-UNLIM | -40 to 85 | 430F1111A | Samples |
| MSP430F1111AIPWR | ACTIVE | TSSOP | PW | 20 | 2000 | Green (RoHS & no Sb/Br) | NIPDAU | Level-1-260C-UNLIM | -40 to 85 | 430F1111A | Samples |
| MSP430F1111AIRGER | ACTIVE | VQFN | RGE | 24 | 3000 | Green (RoHS & no Sb/Br) | NIPDAU | Level-2-260C-1 YEAR | -40 to 85 | M430F1111A | Samples |
| MSP430F1111AIRGET | ACTIVE | VQFN | RGE | 24 | 250 | Green (RoHS & no Sb/Br) | NIPDAU | Level-2-260C-1 YEAR | -40 to 85 | M430F1111A | Samples |
| MSP430F1121AIDGV | ACTIVE | TVSOP | DGV | 20 | 90 | Green (RoHS & no Sb/Br) | NIPDAU | Level-2-260C-1 YEAR | -40 to 85 | 4F1121A | Samples |

| Orderable Device | Status (1) | Package Type | Package Drawing | Pins | Package Qty | Eco Plan (2) | Lead/Ball Finish (6) | MSL Peak Temp (3) | Op Temp (°C) | Device Marking (4/5) | Samples |
|-------------------|---------------|--------------|-----------------|------|-------------|-------------------------|-------------------------|----------------------|--------------|-------------------------|-------------------------|
| MSP430F1121AIDGVR | ACTIVE | TVSOP | DGV | 20 | 2000 | Green (RoHS & no Sb/Br) | NIPDAU | Level-2-260C-1 YEAR | -40 to 85 | 4F1121A | Samples |
| MSP430F1121AIDW | ACTIVE | SOIC | DW | 20 | 25 | Green (RoHS & no Sb/Br) | NIPDAU | Level-1-260C-UNLIM | -40 to 85 | M430F1121A | Samples |
| MSP430F1121AIDWR | ACTIVE | SOIC | DW | 20 | 2000 | Green (RoHS & no Sb/Br) | NIPDAU | Level-1-260C-UNLIM | -40 to 85 | M430F1121A | Samples |
| MSP430F1121AIPW | ACTIVE | TSSOP | PW | 20 | 70 | Green (RoHS & no Sb/Br) | NIPDAU | Level-1-260C-UNLIM | -40 to 85 | 430F1121A | Samples |
| MSP430F1121AIPWR | ACTIVE | TSSOP | PW | 20 | 2000 | Green (RoHS & no Sb/Br) | NIPDAU | Level-1-260C-UNLIM | -40 to 85 | 430F1121A | Samples |
| MSP430F1121AIRGER | ACTIVE | VQFN | RGE | 24 | 3000 | Green (RoHS & no Sb/Br) | NIPDAU | Level-2-260C-1 YEAR | -40 to 85 | M430F1121A | Samples |
| MSP430F1121AIRGET | ACTIVE | VQFN | RGE | 24 | 250 | Green (RoHS & no Sb/Br) | NIPDAU | Level-2-260C-1 YEAR | -40 to 85 | M430F1121A | Samples |
| MSP430F1121IDW | NRND | SOIC | DW | 20 | 25 | Green (RoHS & no Sb/Br) | NIPDAU | Level-1-260C-UNLIM | -40 to 85 | M430F1121 | |
| MSP430F1121IDWR | NRND | SOIC | DW | 20 | 2000 | Green (RoHS & no Sb/Br) | NIPDAU | Level-1-260C-UNLIM | -40 to 85 | M430F1121 | |
| MSP430F1121IPW | NRND | TSSOP | PW | 20 | 70 | Green (RoHS & no Sb/Br) | NIPDAU | Level-1-260C-UNLIM | -40 to 85 | 430F1121 | |
| MSP430F1121IPWR | NRND | TSSOP | PW | 20 | 2500 | Green (RoHS & no Sb/Br) | NIPDAU | Level-1-260C-UNLIM | -40 to 85 | 430F1121 | |

(1) The marketing status values are defined as follows:

ACTIVE: Product device recommended for new designs.

LIFEBUY: TI has announced that the device will be discontinued, and a lifetime-buy period is in effect.

NRND: Not recommended for new designs. Device is in production to support existing customers, but TI does not recommend using this part in a new design.

PREVIEW: Device has been announced but is not in production. Samples may or may not be available.

OBSOLETE: TI has discontinued the production of the device.

(2) **RoHS:** TI defines "RoHS" to mean semiconductor products that are compliant with the current EU RoHS requirements for all 10 RoHS substances, including the requirement that RoHS substance do not exceed 0.1% by weight in homogeneous materials. Where designed to be soldered at high temperatures, "RoHS" products are suitable for use in specified lead-free processes. TI may reference these types of products as "Pb-Free".

RoHS Exempt: TI defines "RoHS Exempt" to mean products that contain lead but are compliant with EU RoHS pursuant to a specific EU RoHS exemption.

Green: TI defines "Green" to mean the content of Chlorine (Cl) and Bromine (Br) based flame retardants meet JS709B low halogen requirements of <=1000ppm threshold. Antimony trioxide based flame retardants must also meet the <=1000ppm threshold requirement.

(3) MSL, Peak Temp. - The Moisture Sensitivity Level rating according to the JEDEC industry standard classifications, and peak solder temperature.

(4) There may be additional marking, which relates to the logo, the lot trace code information, or the environmental category on the device.

(5) Multiple Device Markings will be inside parentheses. Only one Device Marking contained in parentheses and separated by a "~" will appear on a device. If a line is indented then it is a continuation of the previous line and the two combined represent the entire Device Marking for that device.

(6) Lead/Ball Finish - Orderable Devices may have multiple material finish options. Finish options are separated by a vertical ruled line. Lead/Ball Finish values may wrap to two lines if the finish value exceeds the maximum column width.

Important Information and Disclaimer:The information provided on this page represents TI's knowledge and belief as of the date that it is provided. TI bases its knowledge and belief on information provided by third parties, and makes no representation or warranty as to the accuracy of such information. Efforts are underway to better integrate information from third parties. TI has taken and continues to take reasonable steps to provide representative and accurate information but may not have conducted destructive testing or chemical analysis on incoming materials and chemicals. TI and TI suppliers consider certain information to be proprietary, and thus CAS numbers and other limited information may not be available for release.

In no event shall TI's liability arising out of such information exceed the total purchase price of the TI part(s) at issue in this document sold by TI to Customer on an annual basis.

TAPE AND REEL INFORMATION

QUADRANT ASSIGNMENTS FOR PIN 1 ORIENTATION IN TAPE


*All dimensions are nominal

| Device | Package Type | Package Drawing | Pins | SPQ | Reel Diameter (mm) | Reel Width W1 (mm) | A0 (mm) | B0 (mm) | K0 (mm) | P1 (mm) | W (mm) | Pin1 Quadrant |
|-------------------|--------------|-----------------|------|------|--------------------|--------------------|---------|---------|---------|---------|--------|---------------|
| MSP430F1101AIDGVR | TVSOP | DGV | 20 | 2000 | 330.0 | 12.4 | 6.9 | 5.6 | 1.6 | 8.0 | 12.0 | Q1 |
| MSP430F1101AIDWR | SOIC | DW | 20 | 2000 | 330.0 | 24.4 | 10.8 | 13.3 | 2.7 | 12.0 | 24.0 | Q1 |
| MSP430F1101AIRGER | VQFN | RGE | 24 | 3000 | 330.0 | 12.4 | 4.25 | 4.25 | 1.15 | 8.0 | 12.0 | Q2 |
| MSP430F1101AIRGET | VQFN | RGE | 24 | 250 | 180.0 | 12.4 | 4.25 | 4.25 | 1.15 | 8.0 | 12.0 | Q2 |
| MSP430F1101IDWR | SOIC | DW | 20 | 2000 | 330.0 | 24.4 | 10.8 | 13.3 | 2.7 | 12.0 | 24.0 | Q1 |
| MSP430F1111AIDWR | SOIC | DW | 20 | 2000 | 330.0 | 24.4 | 10.8 | 13.3 | 2.7 | 12.0 | 24.0 | Q1 |
| MSP430F1111AIRGER | VQFN | RGE | 24 | 3000 | 330.0 | 12.4 | 4.25 | 4.25 | 1.15 | 8.0 | 12.0 | Q2 |
| MSP430F1111AIRGET | VQFN | RGE | 24 | 250 | 180.0 | 12.4 | 4.25 | 4.25 | 1.15 | 8.0 | 12.0 | Q2 |
| MSP430F1121AIDGVR | TVSOP | DGV | 20 | 2000 | 330.0 | 12.4 | 6.9 | 5.6 | 1.6 | 8.0 | 12.0 | Q1 |
| MSP430F1121AIDWR | SOIC | DW | 20 | 2000 | 330.0 | 24.4 | 10.8 | 13.3 | 2.7 | 12.0 | 24.0 | Q1 |
| MSP430F1121AIRGER | VQFN | RGE | 24 | 3000 | 330.0 | 12.4 | 4.25 | 4.25 | 1.15 | 8.0 | 12.0 | Q2 |
| MSP430F1121AIRGET | VQFN | RGE | 24 | 250 | 180.0 | 12.4 | 4.25 | 4.25 | 1.15 | 8.0 | 12.0 | Q2 |
| MSP430F1121IDWR | SOIC | DW | 20 | 2000 | 330.0 | 24.4 | 10.8 | 13.3 | 2.7 | 12.0 | 24.0 | Q1 |

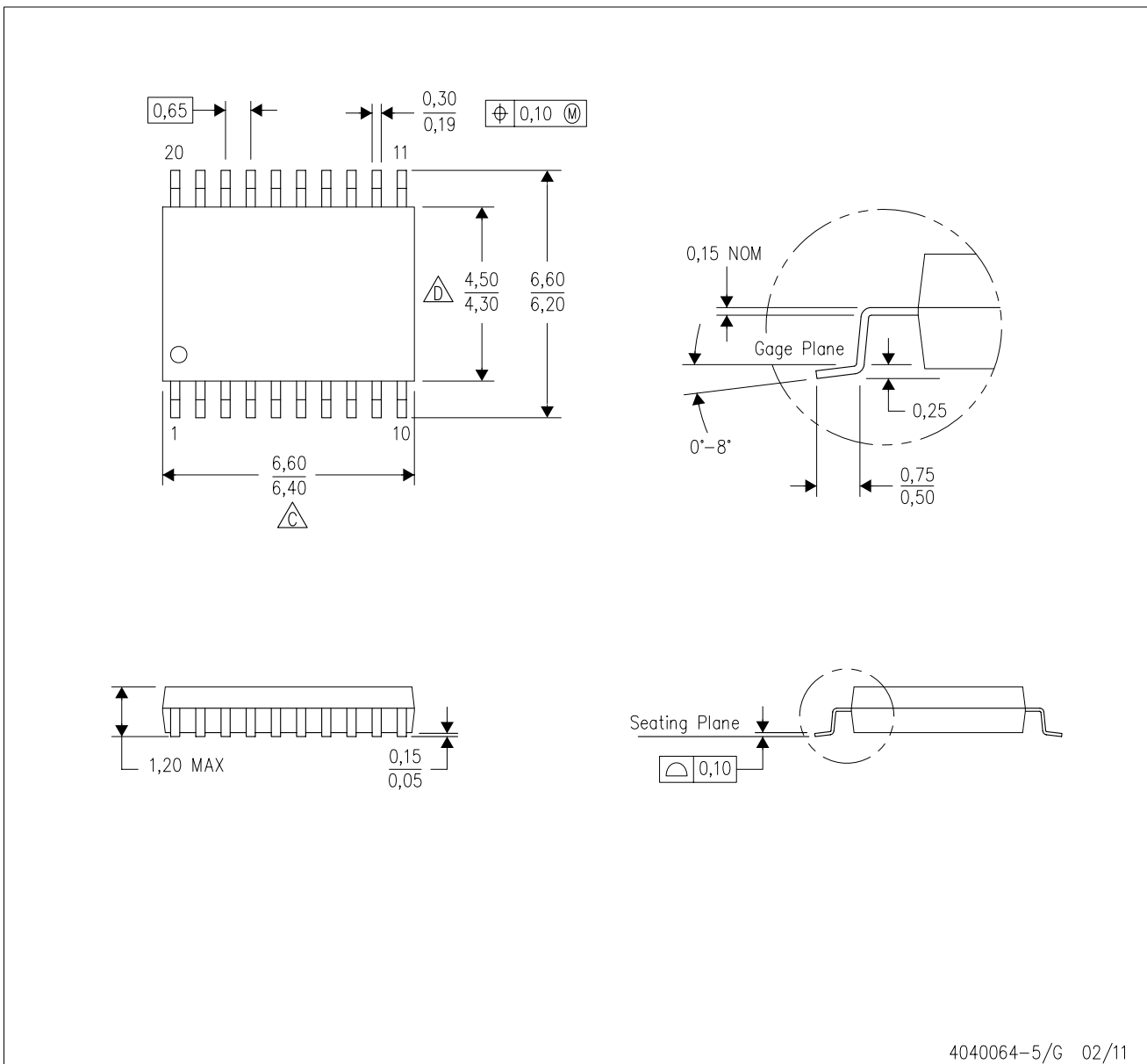
TAPE AND REEL BOX DIMENSIONS


*All dimensions are nominal

| Device | Package Type | Package Drawing | Pins | SPQ | Length (mm) | Width (mm) | Height (mm) |
|-------------------|--------------|-----------------|------|------|-------------|------------|-------------|
| MSP430F1101AIDGVR | TVSOP | DGV | 20 | 2000 | 367.0 | 367.0 | 35.0 |
| MSP430F1101AIDWR | SOIC | DW | 20 | 2000 | 367.0 | 367.0 | 45.0 |
| MSP430F1101AIRGER | VQFN | RGE | 24 | 3000 | 367.0 | 367.0 | 35.0 |
| MSP430F1101AIRGET | VQFN | RGE | 24 | 250 | 210.0 | 185.0 | 35.0 |
| MSP430F1101IDWR | SOIC | DW | 20 | 2000 | 367.0 | 367.0 | 45.0 |
| MSP430F1111AIDWR | SOIC | DW | 20 | 2000 | 367.0 | 367.0 | 45.0 |
| MSP430F1111AIRGER | VQFN | RGE | 24 | 3000 | 367.0 | 367.0 | 35.0 |
| MSP430F1111AIRGET | VQFN | RGE | 24 | 250 | 210.0 | 185.0 | 35.0 |
| MSP430F1121AIDGVR | TVSOP | DGV | 20 | 2000 | 367.0 | 367.0 | 35.0 |
| MSP430F1121AIDWR | SOIC | DW | 20 | 2000 | 367.0 | 367.0 | 45.0 |
| MSP430F1121AIRGER | VQFN | RGE | 24 | 3000 | 367.0 | 367.0 | 35.0 |
| MSP430F1121AIRGET | VQFN | RGE | 24 | 250 | 210.0 | 185.0 | 35.0 |
| MSP430F1121IDWR | SOIC | DW | 20 | 2000 | 367.0 | 367.0 | 45.0 |

PW (R-PDSO-G20)

PLASTIC SMALL OUTLINE



- NOTES:
- A. All linear dimensions are in millimeters. Dimensioning and tolerancing per ASME Y14.5M-1994.
 - B. This drawing is subject to change without notice.
 - △ Body length does not include mold flash, protrusions, or gate burrs. Mold flash, protrusions, or gate burrs shall not exceed 0,15 each side.
 - △ Body width does not include interlead flash. Interlead flash shall not exceed 0,25 each side.
 - E. Falls within JEDEC MO-153

PW (R-PDSO-G20)

PLASTIC SMALL OUTLINE



- NOTES:
- A. All linear dimensions are in millimeters.
 - B. This drawing is subject to change without notice.
 - C. Publication IPC-7351 is recommended for alternate design.
 - D. Laser cutting apertures with trapezoidal walls and also rounding corners will offer better paste release. Customers should contact their board assembly site for stencil design recommendations. Refer to IPC-7525 for other stencil recommendations.
 - E. Customers should contact their board fabrication site for solder mask tolerances between and around signal pads.

DW0020A



PACKAGE OUTLINE

SOIC - 2.65 mm max height

SOIC



4220724/A 05/2016

NOTES:

1. All linear dimensions are in millimeters. Dimensions in parenthesis are for reference only. Dimensioning and tolerancing per ASME Y14.5M.
2. This drawing is subject to change without notice.
3. This dimension does not include mold flash, protrusions, or gate burrs. Mold flash, protrusions, or gate burrs shall not exceed 0.15 mm per side.
4. This dimension does not include interlead flash. Interlead flash shall not exceed 0.43 mm per side.
5. Reference JEDEC registration MS-013.

EXAMPLE BOARD LAYOUT

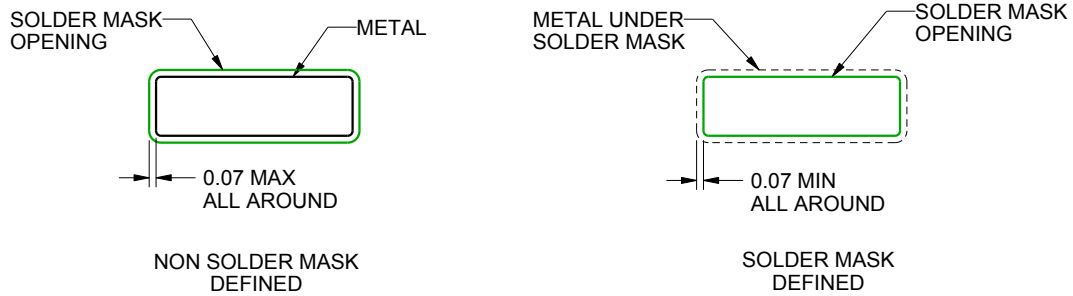
DW0020A

SOIC - 2.65 mm max height

SOIC



LAND PATTERN EXAMPLE
SCALE:6X



SOLDER MASK DETAILS

4220724/A 05/2016

NOTES: (continued)

- 6. Publication IPC-7351 may have alternate designs.
- 7. Solder mask tolerances between and around signal pads can vary based on board fabrication site.

EXAMPLE STENCIL DESIGN

DW0020A

SOIC - 2.65 mm max height

SOIC



SOLDER PASTE EXAMPLE
BASED ON 0.125 mm THICK STENCIL
SCALE:6X

4220724/A 05/2016

NOTES: (continued)

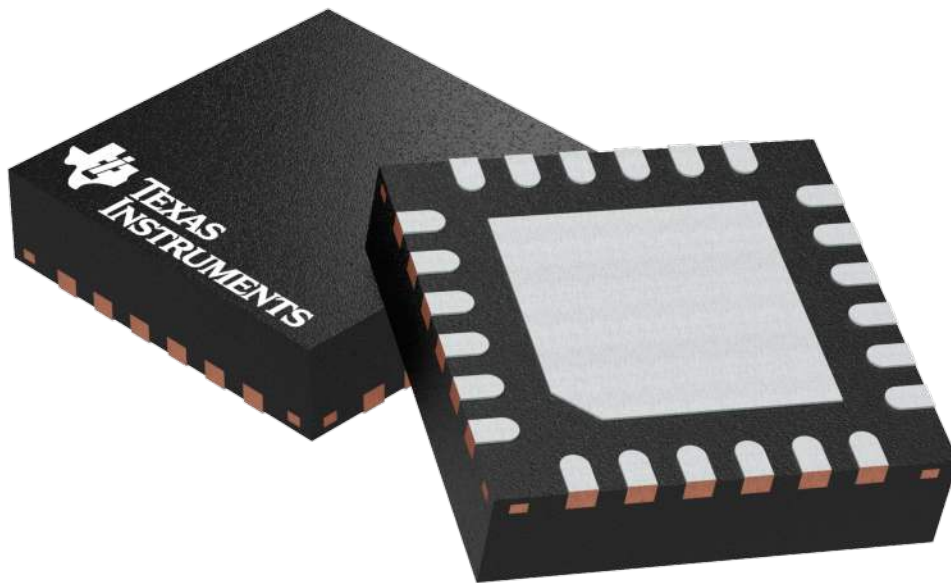
8. Laser cutting apertures with trapezoidal walls and rounded corners may offer better paste release. IPC-7525 may have alternate design recommendations.
9. Board assembly site may have different recommendations for stencil design.

RGE 24

GENERIC PACKAGE VIEW

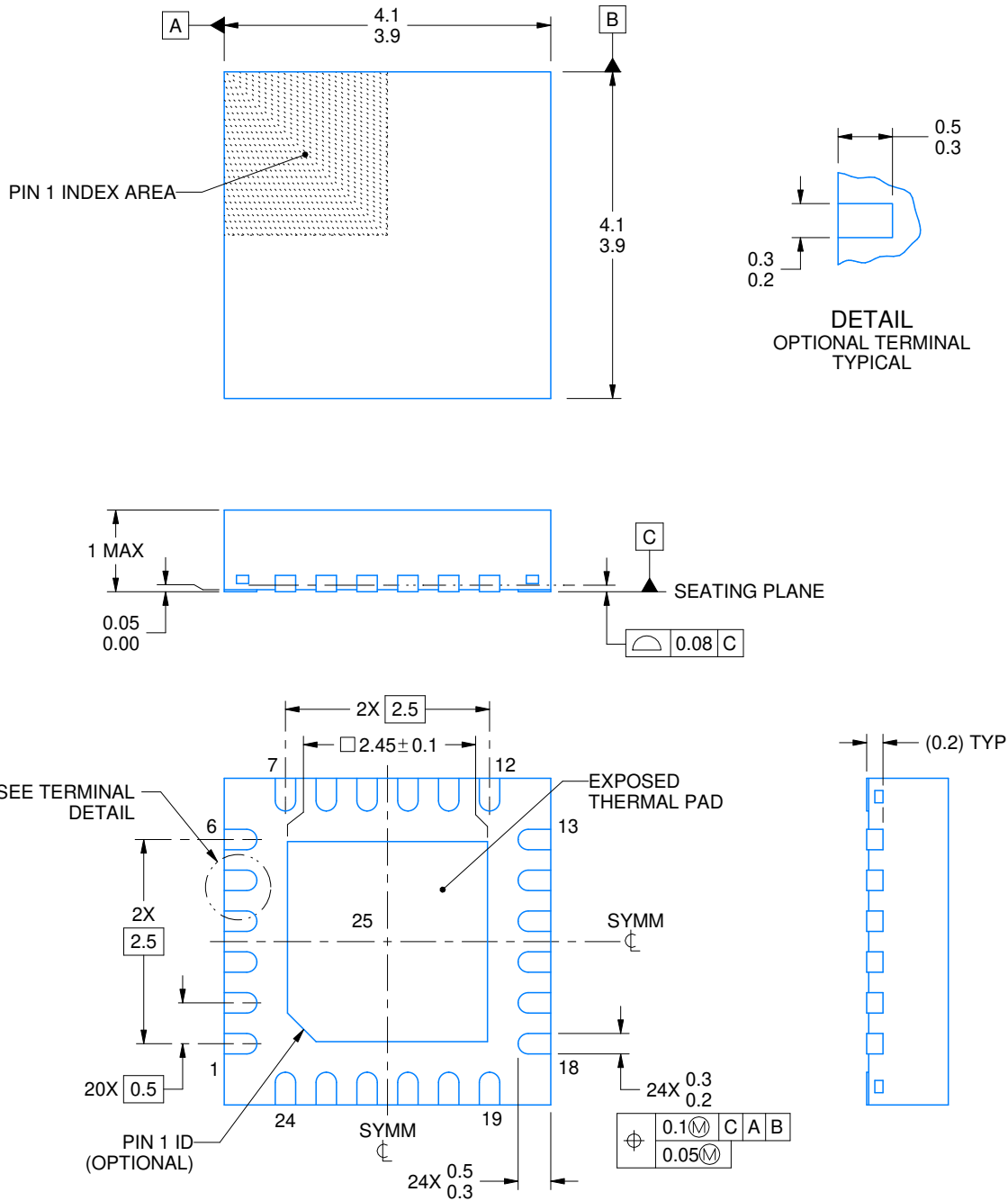
VQFN - 1 mm max height

PLASTIC QUAD FLATPACK - NO LEAD



Images above are just a representation of the package family, actual package may vary.
Refer to the product data sheet for package details.

4204104/H



4219013/A 05/2017

NOTES:

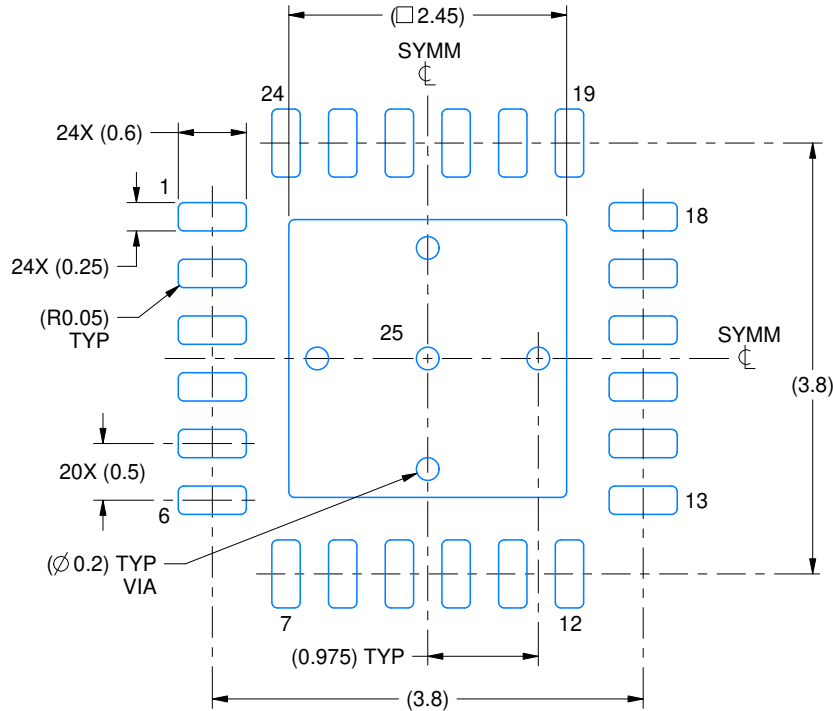
1. All linear dimensions are in millimeters. Any dimensions in parenthesis are for reference only. Dimensioning and tolerancing per ASME Y14.5M.
2. This drawing is subject to change without notice.
3. The package thermal pad must be soldered to the printed circuit board for thermal and mechanical performance.

EXAMPLE BOARD LAYOUT

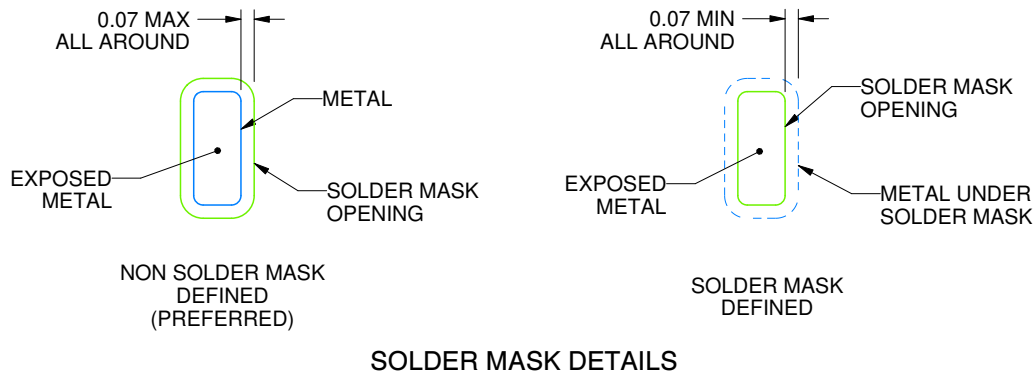
RGE0024B

VQFN - 1 mm max height

PLASTIC QUAD FLATPACK - NO LEAD



LAND PATTERN EXAMPLE
EXPOSED METAL SHOWN
SCALE:15X



SOLDER MASK DETAILS

4219013/A 05/2017

NOTES: (continued)

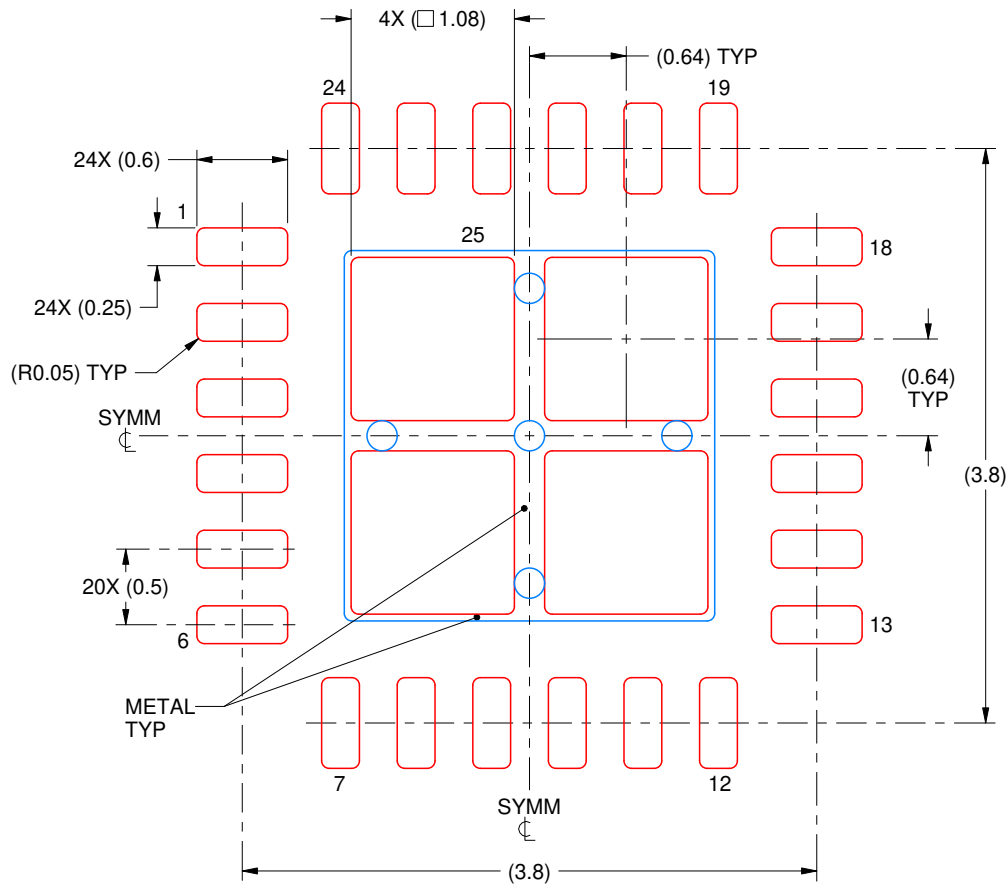
4. This package is designed to be soldered to a thermal pad on the board. For more information, see Texas Instruments literature number SLUA271 (www.ti.com/lit/sluea271).
5. Vias are optional depending on application, refer to device data sheet. If any vias are implemented, refer to their locations shown on this view. It is recommended that vias under paste be filled, plugged or tented.

EXAMPLE STENCIL DESIGN

RGE0024B

VQFN - 1 mm max height

PLASTIC QUAD FLATPACK - NO LEAD



SOLDER PASTE EXAMPLE
BASED ON 0.125 mm THICK STENCIL

EXPOSED PAD 25
78% PRINTED SOLDER COVERAGE BY AREA UNDER PACKAGE
SCALE:20X

4219013/A 05/2017

NOTES: (continued)

6. Laser cutting apertures with trapezoidal walls and rounded corners may offer better paste release. IPC-7525 may have alternate design recommendations.

IMPORTANT NOTICE AND DISCLAIMER

TI PROVIDES TECHNICAL AND RELIABILITY DATA (INCLUDING DATASHEETS), DESIGN RESOURCES (INCLUDING REFERENCE DESIGNS), APPLICATION OR OTHER DESIGN ADVICE, WEB TOOLS, SAFETY INFORMATION, AND OTHER RESOURCES "AS IS" AND WITH ALL FAULTS, AND DISCLAIMS ALL WARRANTIES, EXPRESS AND IMPLIED, INCLUDING WITHOUT LIMITATION ANY IMPLIED WARRANTIES OF MERCHANTABILITY, FITNESS FOR A PARTICULAR PURPOSE OR NON-INFRINGEMENT OF THIRD PARTY INTELLECTUAL PROPERTY RIGHTS.

These resources are intended for skilled developers designing with TI products. You are solely responsible for (1) selecting the appropriate TI products for your application, (2) designing, validating and testing your application, and (3) ensuring your application meets applicable standards, and any other safety, security, or other requirements. These resources are subject to change without notice. TI grants you permission to use these resources only for development of an application that uses the TI products described in the resource. Other reproduction and display of these resources is prohibited. No license is granted to any other TI intellectual property right or to any third party intellectual property right. TI disclaims responsibility for, and you will fully indemnify TI and its representatives against, any claims, damages, costs, losses, and liabilities arising out of your use of these resources.

TI's products are provided subject to TI's Terms of Sale (www.ti.com/legal/termsofsale.html) or other applicable terms available either on ti.com or provided in conjunction with such TI products. TI's provision of these resources does not expand or otherwise alter TI's applicable warranties or warranty disclaimers for TI products.

Mailing Address: Texas Instruments, Post Office Box 655303, Dallas, Texas 75265
Copyright © 2020, Texas Instruments Incorporated