

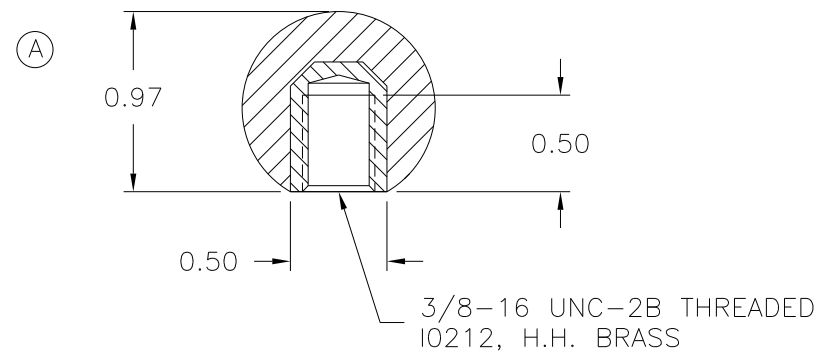
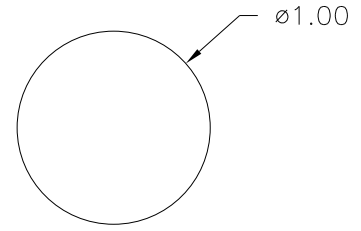
PART NAME: BALL KNOB SCALE: 1:1 DATE: 11/7/84 DR. BY HD

THIS DRAWING IS THE PROPERTY OF DAVIES MOLDING COMPANY, IS SUBMITTED SOLELY AS A DESIGN OR ENGINEERING PROJECT. WE ACCEPT NO RESPONSIBILITY WHATSOEVER FOR THE PRACTICAL APPLICATION OF THE PIECES MADE TO THIS DESIGN.



DESIGNERS & MANUFACTURERS OF KNOBS, HANDLES, CASES & CUSTOM PLASTIC COMPONENTS

P/N	0030-R
M ^{NO.}	0030
PIN	0030-3
SHIMS	1/4+1/4(30-J)
INSERT	I0212



MATERIAL: G.P. PHENOLIC (B11)
COLOR: BLACK

TOLERANCES: UNLESS OTHERWISE SPECIFIED	DO NOT SCALE DRAWING	A	WAS 0.93	DD	2/28/05
		-	RE-DID REDRAW	TL	10/4/99
DECIMALS: X.XXX ± .005 X.XX ± .015	MM: X.XX ± 0.15MM X.X ± 0.4MM	-	CAD REDRAW	HD	7/29/92
FRACTIONS ± 1/64	ANG. ± 1°	CHANGES			