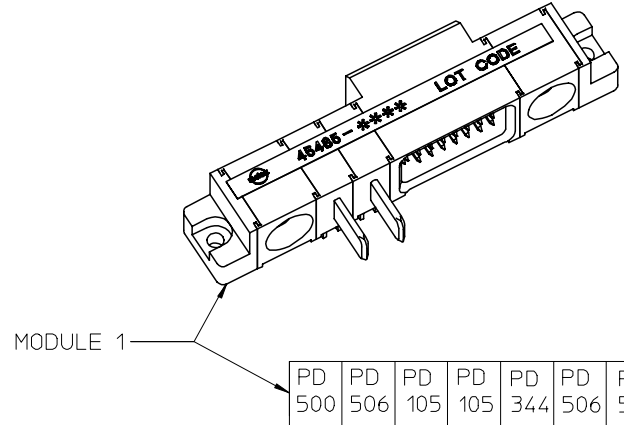
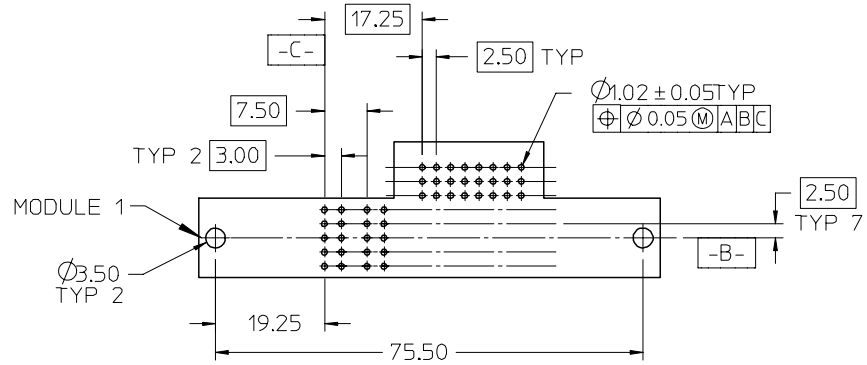
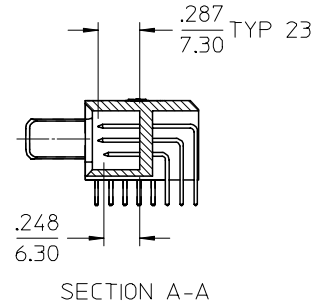
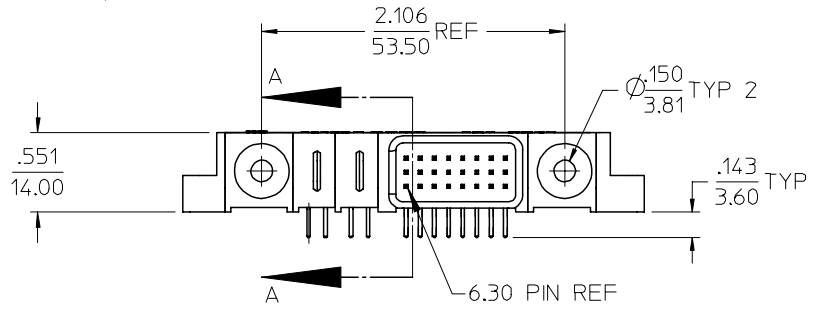
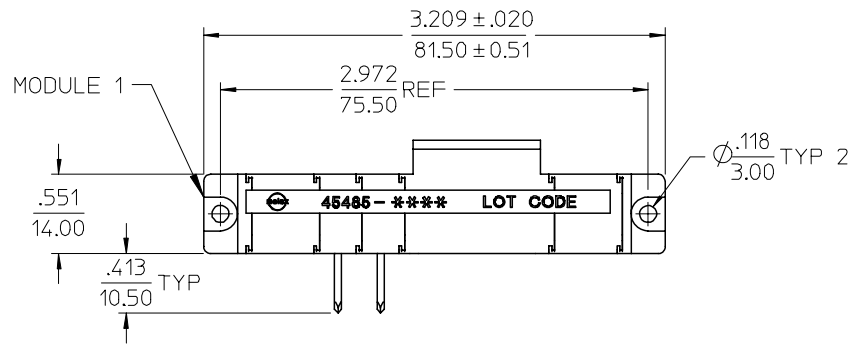


- NOTES:
1. MATERIAL: LCP, GLASS FILLED, UL94V-0, BLACK.  
CONTACTS: COPPER ALLOY
  2. FINISH: SELECT GOLD: 30 MI MIN.  
SELECT TIN: 100 MI MIN.  
BOTH OVER NICKEL
  3. PRODUCT SPECIFICATION: PS-45424-001.
  4. PACKAGING SPECIFICATION: PK-45485-001.



PCB LAYOUT: COMPONENT SIDE  
PCB THICKNESS: .093/2.36  
PCB TOLERANCE: ±.002/0.05

EC NO: UCP2005-2576	DESCRIPTION
DRWN: ADRATND2005/07/07	
CHKD: KSAMEC 2005/07/08	
APPR: APATEL 2005/07/19	
A1	REV

GENERAL TOLERANCES (UNLESS SPECIFIED)		SCALE	DESIGN UNITS
	mm	1:1.33	METRIC
	INCH	DIMENSION STYLE	
4 PLACES	± ---	IN/MM	
3 PLACES	± ---	DRAWN BY	DATE
2 PLACES	± 0.25	SAMIEC	2004/03/06
1 PLACE	± 0.38	CHECKED BY	DATE
ANGULAR ±1/2°		SAMIEC	2004/03/06
DRAFT WHERE APPLICABLE		APPROVED BY	DATE
MUST REMAIN WITHIN DIMENSIONS		MARGULIS	2004/03/06

THIRD ANGLE PROJECTION		TITLE	
REVISE ON CAD ONLY		POWER DOCK ASSEMBLY POWER RIGHT ANGLE SOLDER TAIL	
MATERIAL NO.		DOCUMENT NO.	
45485-0093		SD-45485-093	
SHEET NO.		1 OF 1	

MOLEX INCORPORATED			
MATERIAL NO.		DOCUMENT NO.	
45485-0093		SD-45485-093	
SHEET NO.		1 OF 1	
THIS DRAWING CONTAINS INFORMATION THAT IS PROPRIETARY TO MOLEX INCORPORATED AND SHOULD NOT BE USED WITHOUT WRITTEN PERMISSION			