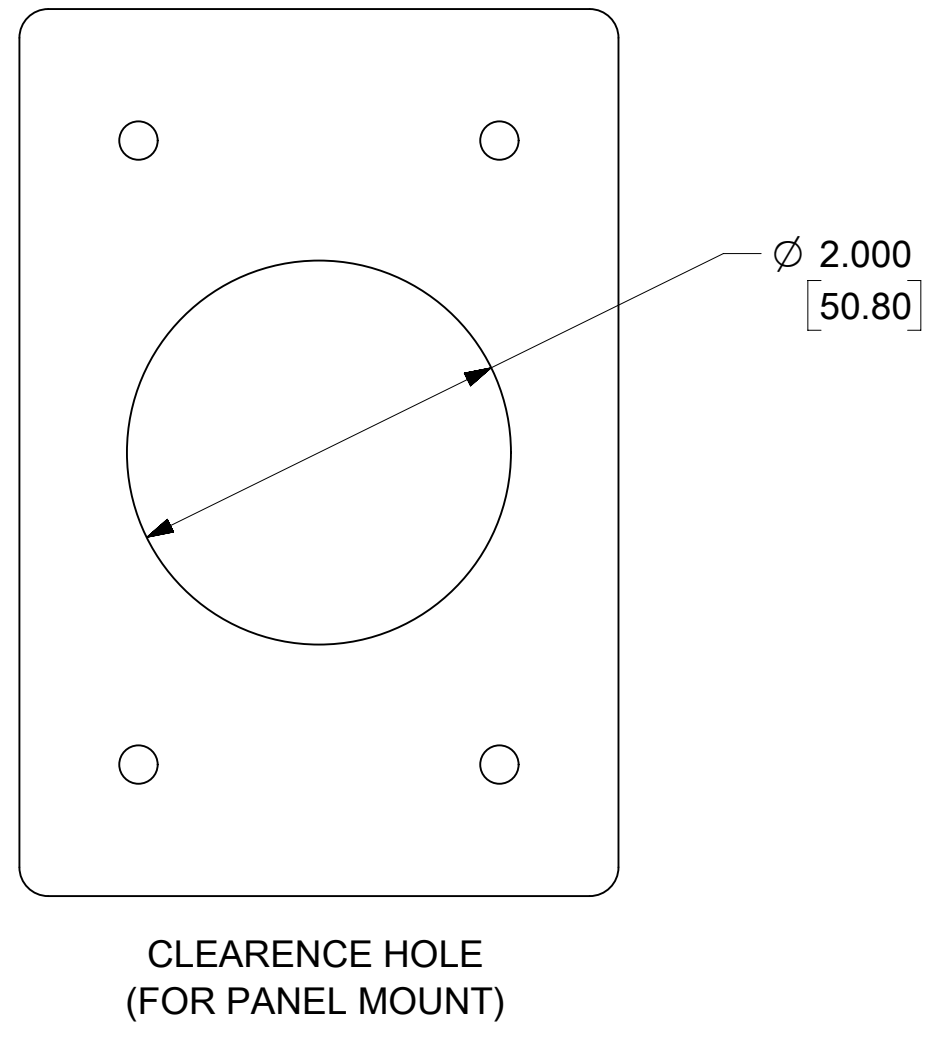
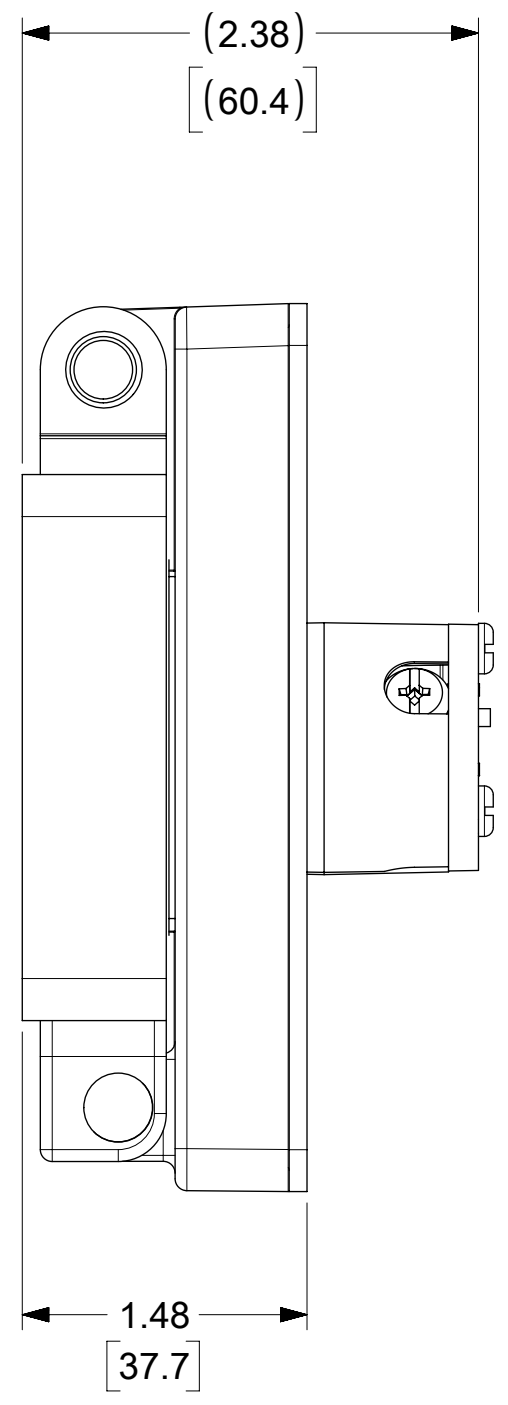
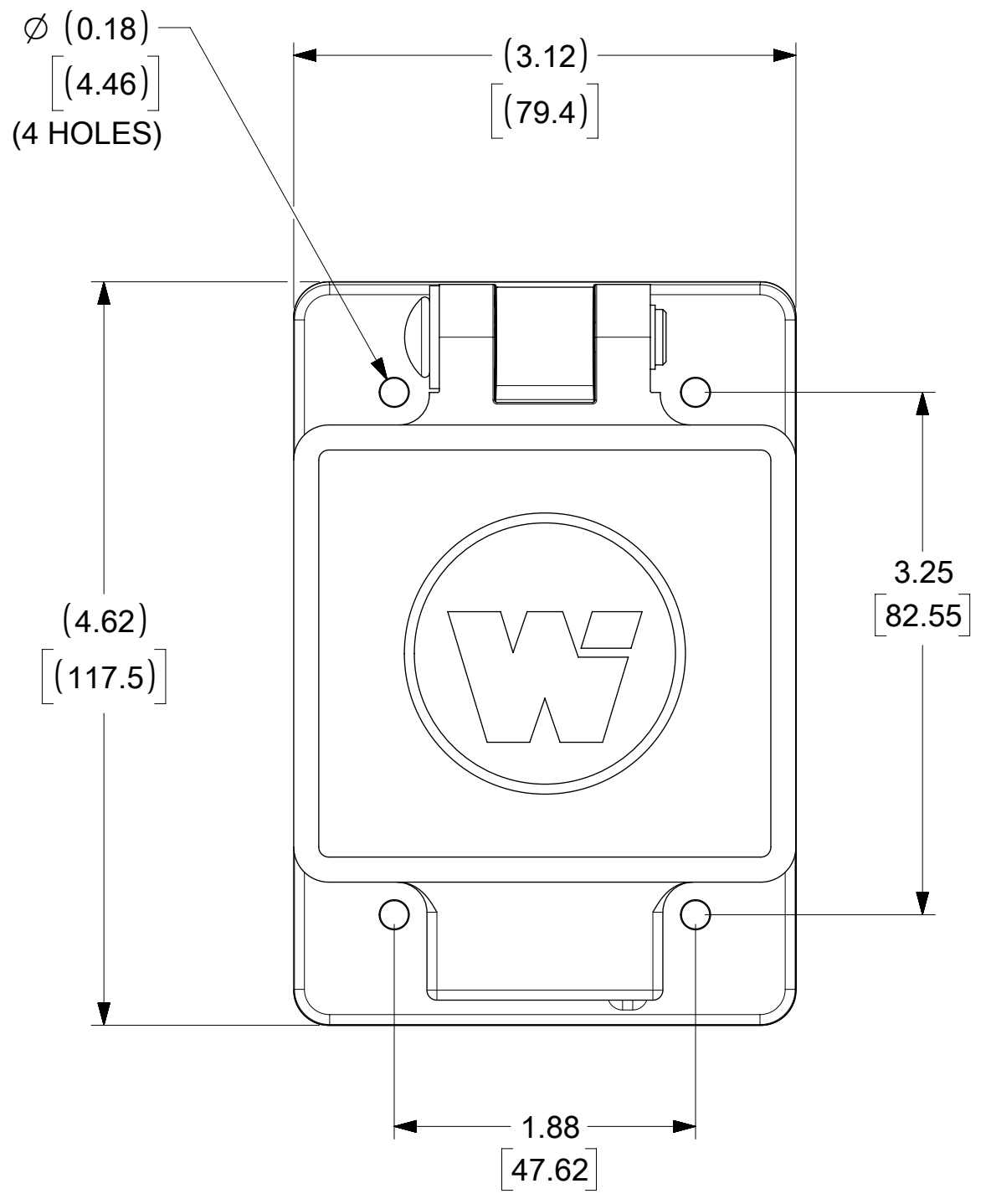
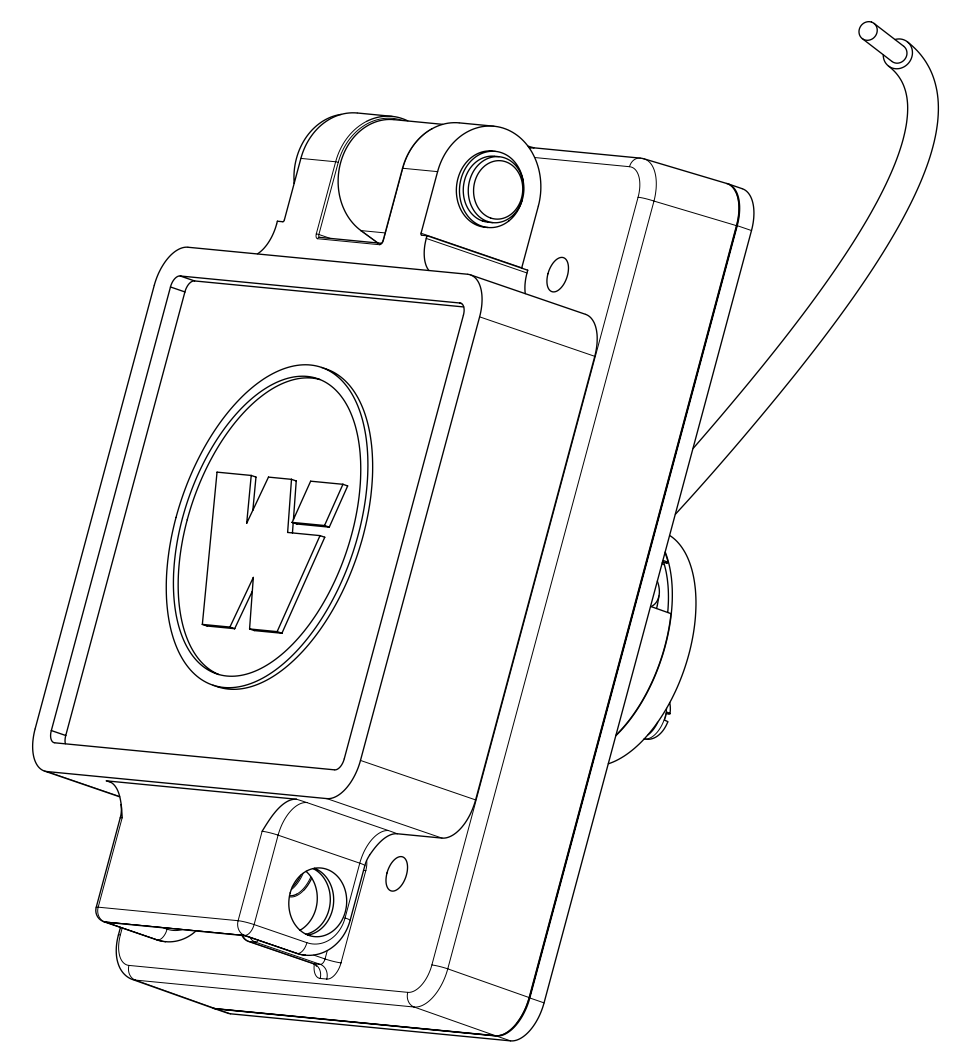
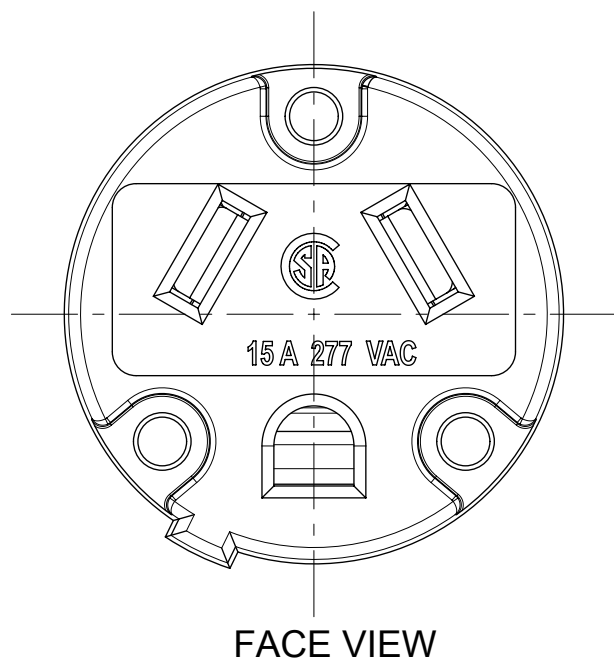


ORDER NO.	WOODHEAD NO.	COLOR
130146-0127	60W34	YELLOW



DESCRIPTION	MATERIAL	QTY.
BLADES	BRASS, NICKEL PLATED	3
RETAINING SCREWS	STAINLESS STEEL	3
CLAMP AND TERMINAL SCREW ASSY.	BRASS, ZINC PLATED	3
FEMALE INSERT	NYLON	1
TERMINAL COVER	POLYCARBONATE	1
COVER ASSEMBLY	POLYCARBONATE, STAINLESS STEEL, ALUMINUM	1
GASKET FLIP	NEOPRENE	1
SUPPORT PLATE	STAINLESS STEEL	1
SCREW (GROUND WIRE)	STAINLESS STEEL	1
JUMPER WIRE ASSY	COPPER, BRASS (TINNED FINISH)	1

THIS DRAWING CONTAINS INFORMATION THAT IS PROPRIETARY TO MOLEX ELECTRONIC TECHNOLOGIES, LLC AND SHOULD NOT BE USED WITHOUT WRITTEN PERMISSION											
SYMBOLS		DIMENSION UNITS		SCALE		CURRENT REV DESC: MIGRATE TO ECTR/NX					
∇ = 0	INCH	[MM]	NTS	EC NO: 613190 DRWN: SRPATIL 2018/12/13 CHK'D: DNGUYEN62 2019/03/07 APPR: HKNEELAND 2019/03/30 INITIAL REVISION: DRWN: SRPATIL 2018/12/13 APPR: HKNEELAND 2019/03/30							
∇ = 0	GENERAL TOLERANCES (UNLESS SPECIFIED)										
∇ = 0		MM	INCH								
∇ = 0	4 PLACES	±	±								
∇ = 0	3 PLACES	±	±	PRODUCT CUSTOMER DRAWING							
∇ = 0	2 PLACES	±	±	DOCUMENT NUMBER		DOC TYPE	DOC PART	REVISION			
∇ = 0	1 PLACE	±	±	1301460127		PSD	000	A			
∇ = 0	0 PLACES	±	±	MATERIAL NUMBER		CUSTOMER		SHEET NUMBER			
∇ = 0	ANGULAR TOL	±	°	SEE TABLE		GENERAL MARKET		1 OF 1			
∇ = 0	DRAFT WHERE APPLICABLE MUST REMAIN WITHIN DIMENSIONS		THIRD ANGLE PROJECTION	DRAWING	SERIES						
				C-SIZE	130146						