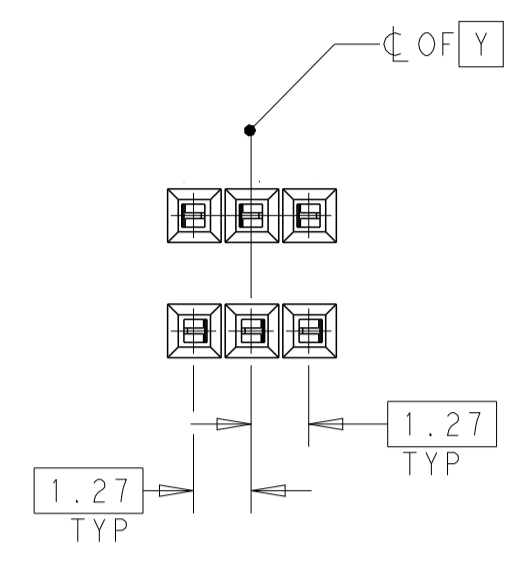
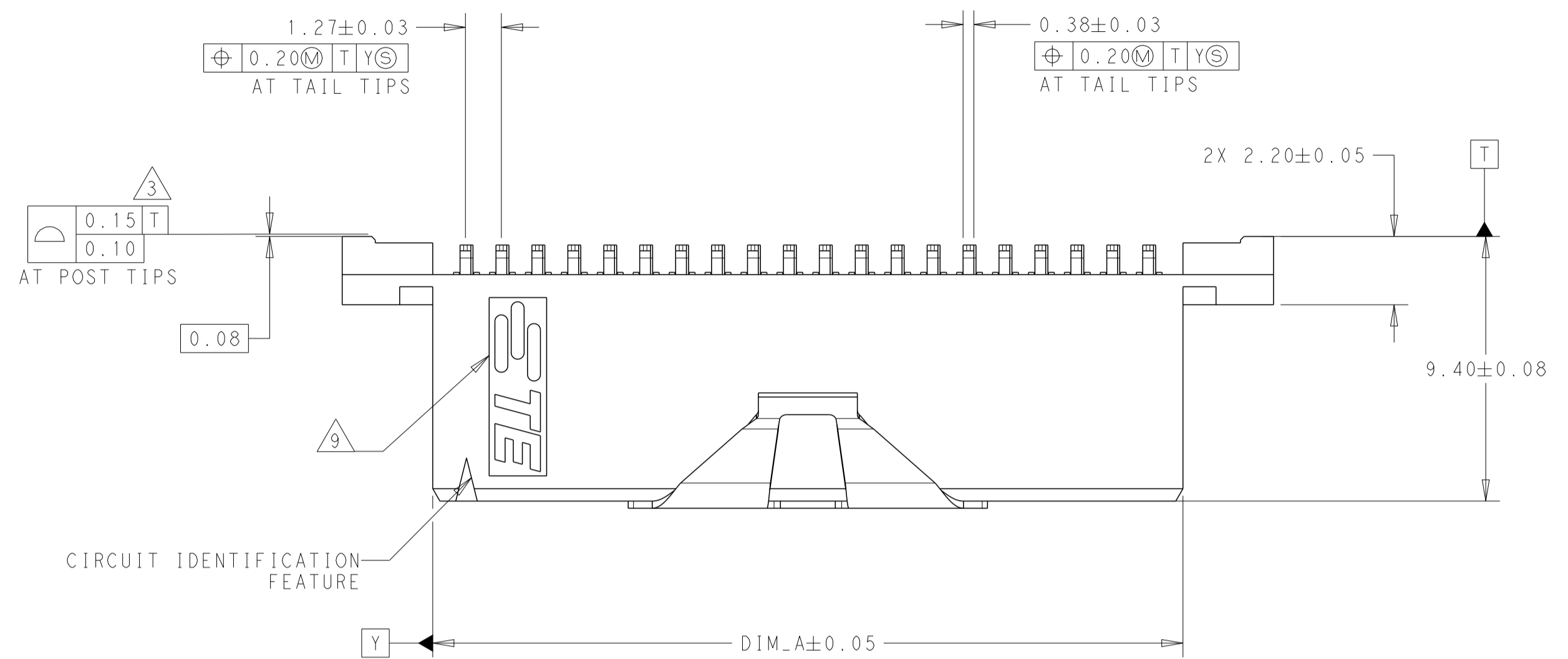
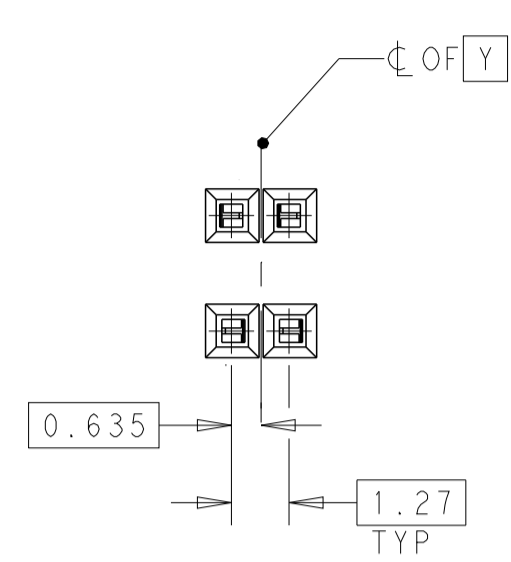


REVISIONS				
P	LTN	DESCRIPTION	DATE	APVD
D		REDRAWN/REVISED PER ECO-17-001757	05DEC2017	KS JO

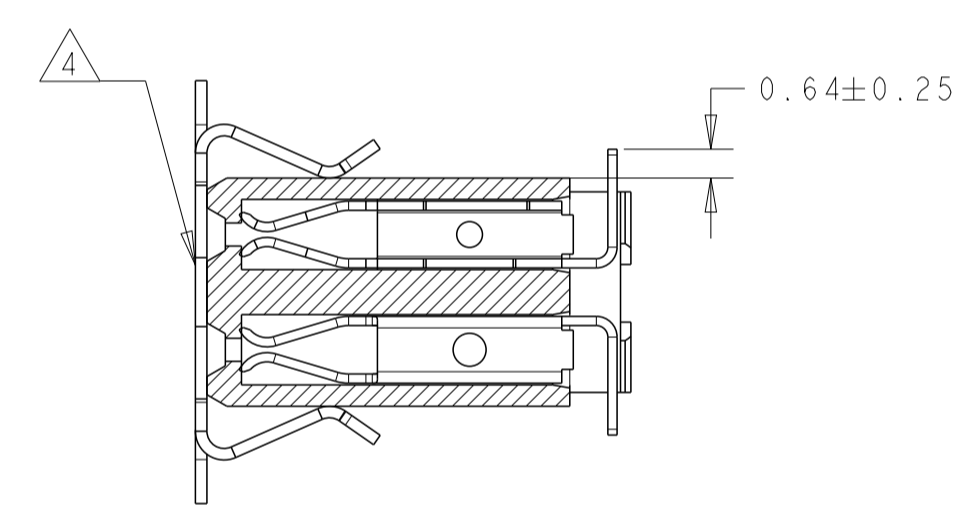
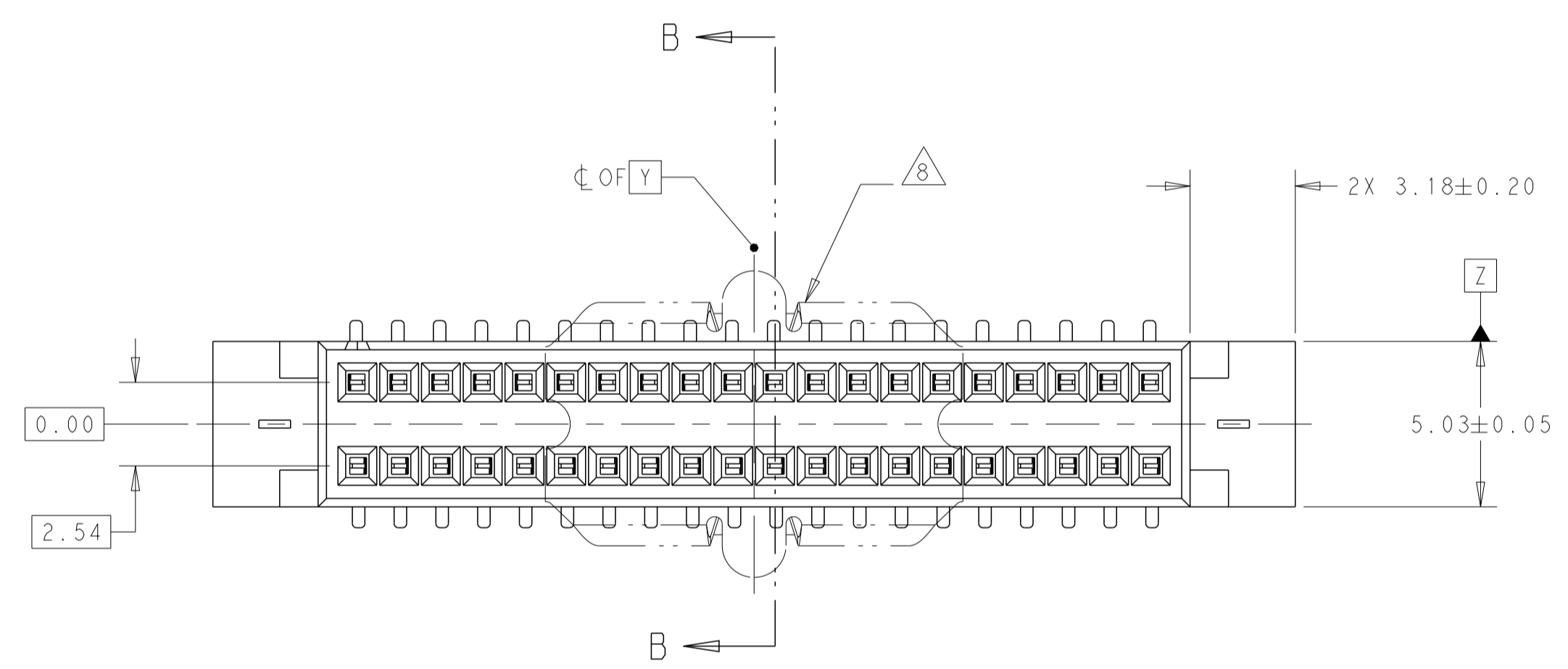


BASIC DIMENSIONS FOR EVEN NUMBER OF SPACES (SEE TABLE)

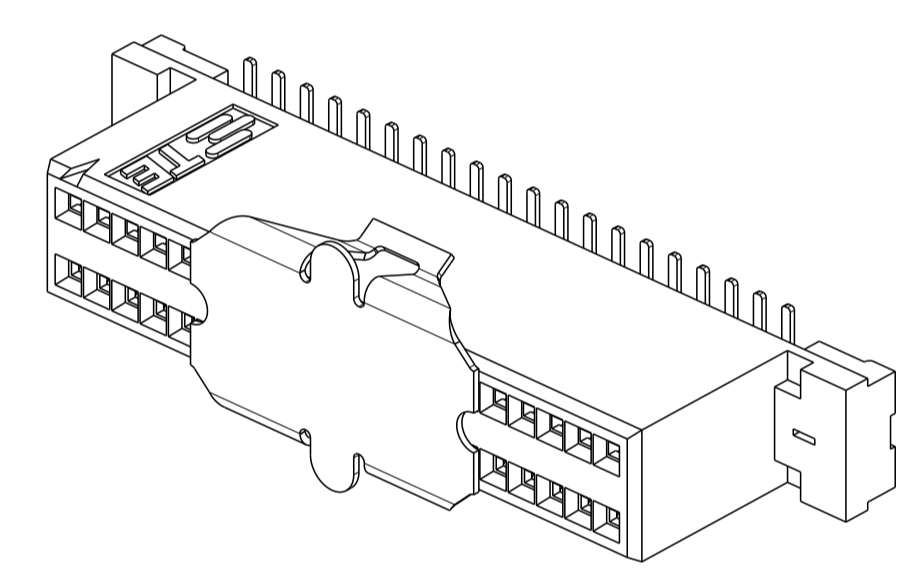


BASIC DIMENSIONS FOR ODD NUMBER OF SPACES (SEE TABLE)

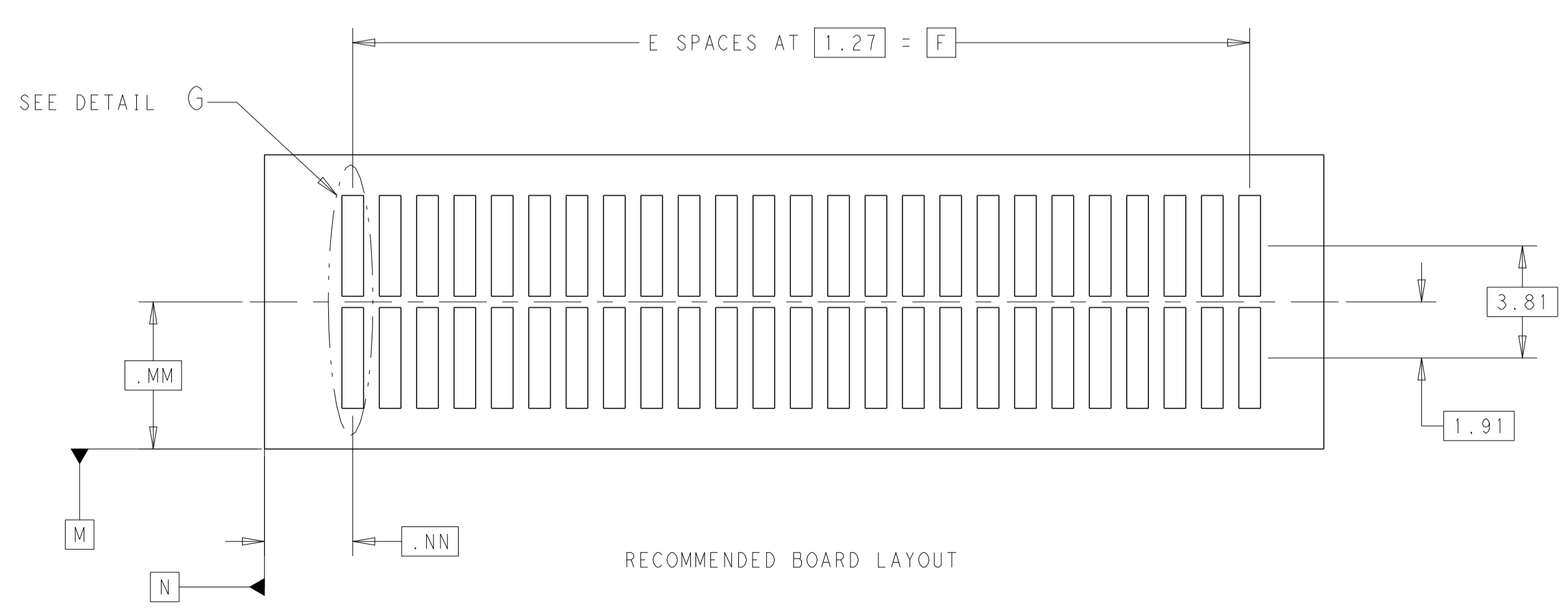
1. 0.76µm GOLD IN LOCALIZED PLATE ARE, 3.81µm TIN-LEAD ON SOLDER TAILS ALL OVER 1.27µm NICKEL.
2. NOTE DELETED.
3. REFER TO NO. OF POSN. IN CHART FOR NUMBER OF SURFACES WHICH ARE COPLANER.
4. VACUUM COVER DESIGNED FOR 4mm DIA NOZZLE. VACUUM COVER TO BE REMOVED AFTER SOLDERING.
5. PACKGED IN TAPE & REEL PER EIA-481 SPECIATIONS. SEE CHART FOR TAPE WIDTHS.
6. 6.75mm MIN TARGET AREA FOR VACUUM PICK-UP.
7. HOUSING: BLACK THERMOPLASTIC, CONTACT: PHOSPHOR BRONZE, VACUUM COVER: ALUMINUM.
8. VACUUM COVER SHOWN IN PHANTOM LINE.
9. TE LOGO PRESENCE AND LOCATION OPTIONAL.
10. 0.76µm GOLD IN LOCALIZED PLATE ARE, 3.81µm TIN ON SOLDER TAILS ALL OVER 1.27µm NICKEL.
11. NOTE DELETED.



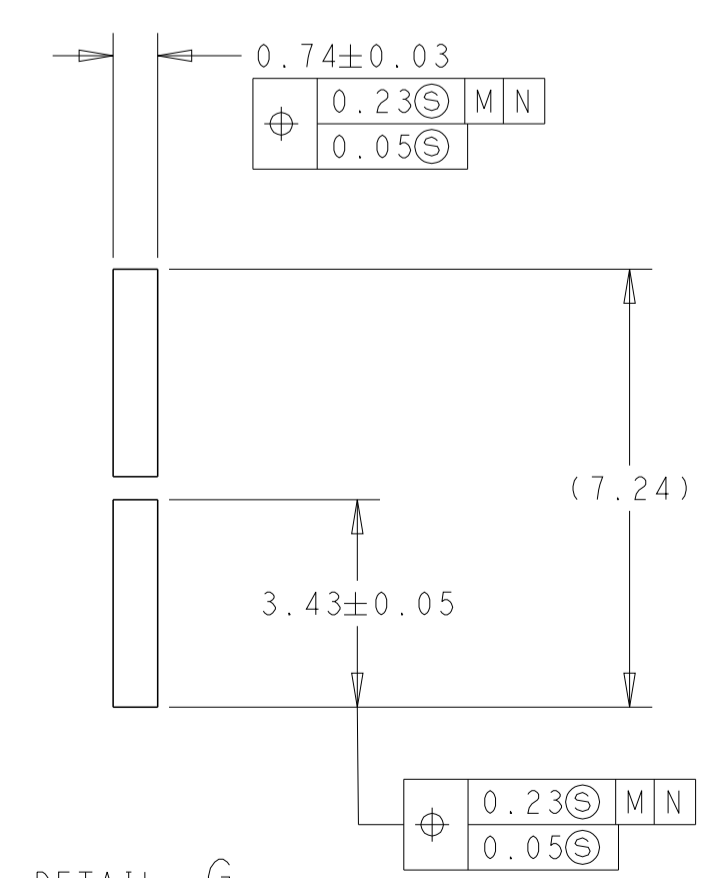
SECTION B-B



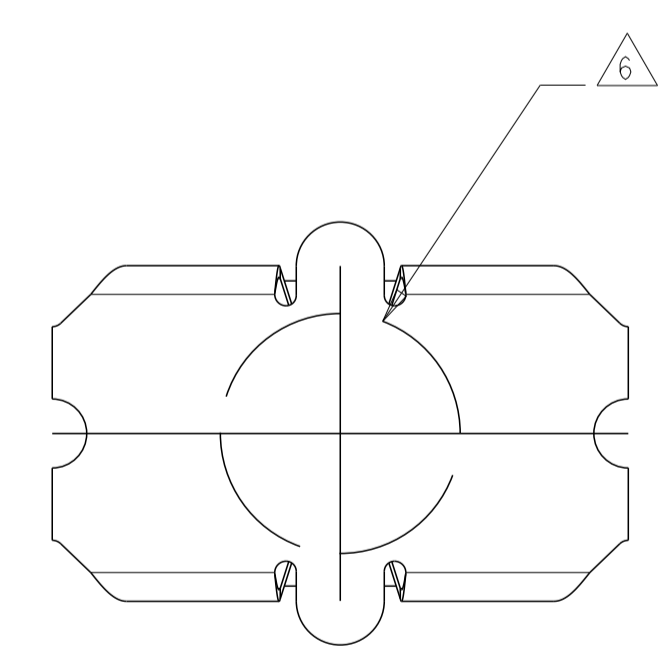
SCALE 4:1



RECOMMENDED BOARD LAYOUT



DETAIL G SCALE 8:1



VACUUM COVER

FINISH	TAPE WIDTH	DIM_F	E SPACES	DIM_A	NO OF POSN	PART NUMBER
10	44 MM	13.97	11	16.36	24	5-147378-9
	88 MM	62.23	49	64.62	100	5-147378-8
	88 MM	49.53	39	51.92	80	5-147378-7
	72 MM	36.83	29	39.22	60	5-147378-6
	56 MM	30.48	24	32.87	50	5-147378-5
	56 MM	24.13	19	26.52	40	5-147378-4
	44 MM	17.78	14	20.17	30	5-147378-3
	32 MM	11.43	9	13.82	20	5-147378-2
	32 MM	5.08	4	7.47	10	5-147378-1
	1	44 MM	13.97	11	16.36	24
88 MM		62.23	49	64.62	100	147378-8
88 MM		49.53	39	51.92	80	147378-7
72 MM		36.83	29	39.22	60	147378-6
56 MM		30.48	24	32.87	50	147378-5
56 MM		24.13	19	26.52	40	147378-4
44 MM		17.78	14	20.17	30	147378-3
32 MM		11.43	9	13.82	20	147378-2
32 MM		5.08	4	7.47	10	147378-1

THIS DRAWING IS A CONTROLLED DOCUMENT. DWG: H. SHRISHAIL 05DEC2017  
 CHK: J. OLSON 05DEC2017  
 APVD: J. OLSON 05DEC2017

RECEPTACLE ASSEMBLY, VERTICAL, DOUBLE ROW SURFACE MOUNT, AMPMODU System 50

TE Connectivity

SIZE: 114-25035 CAGE CODE: 114-25035 DRAWING NO: A100779 C=147378 SHEET 1 OF 1 REV D