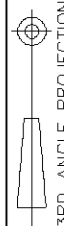


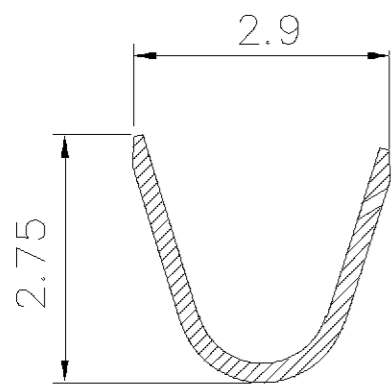
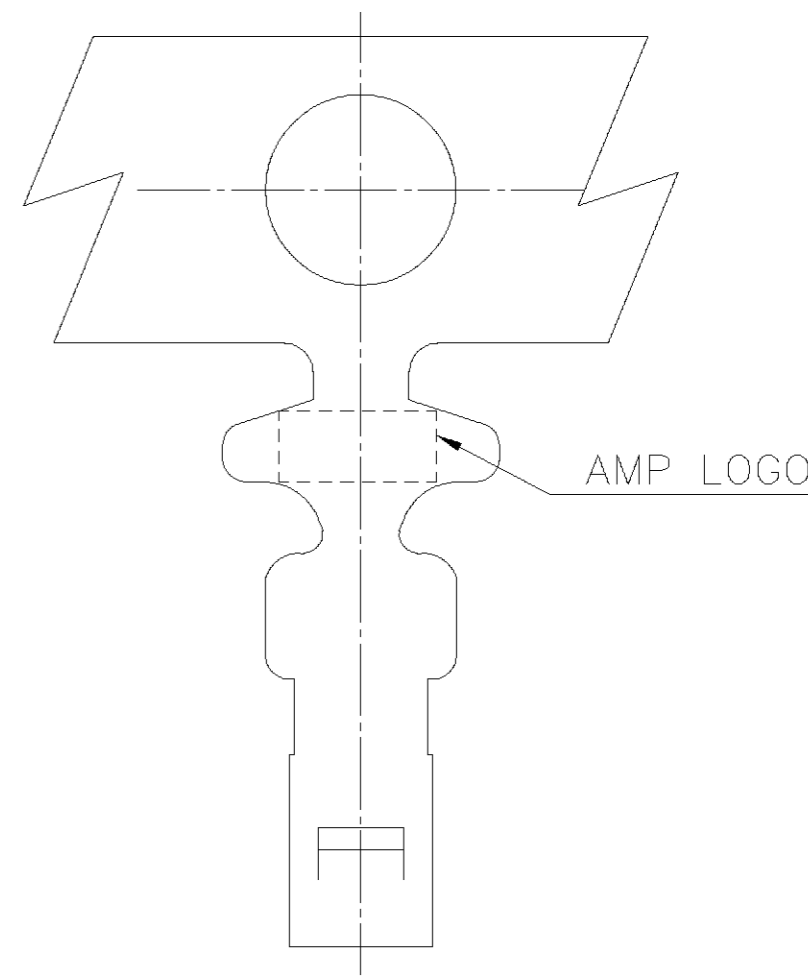
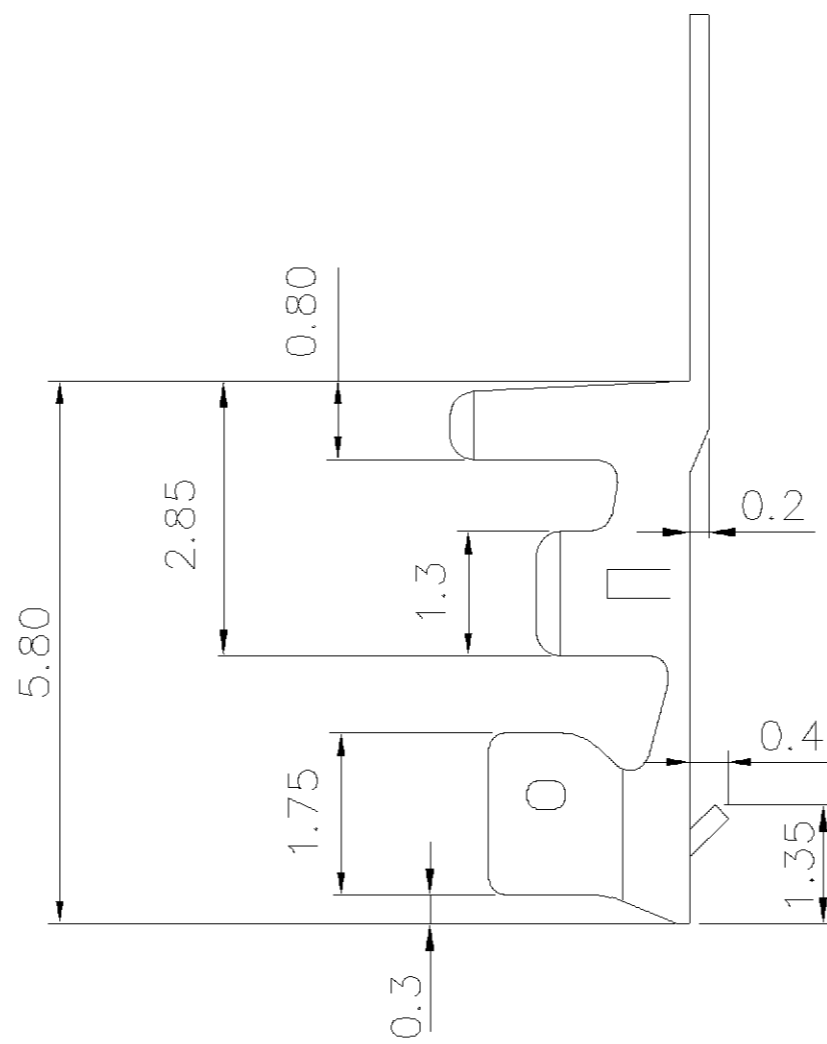
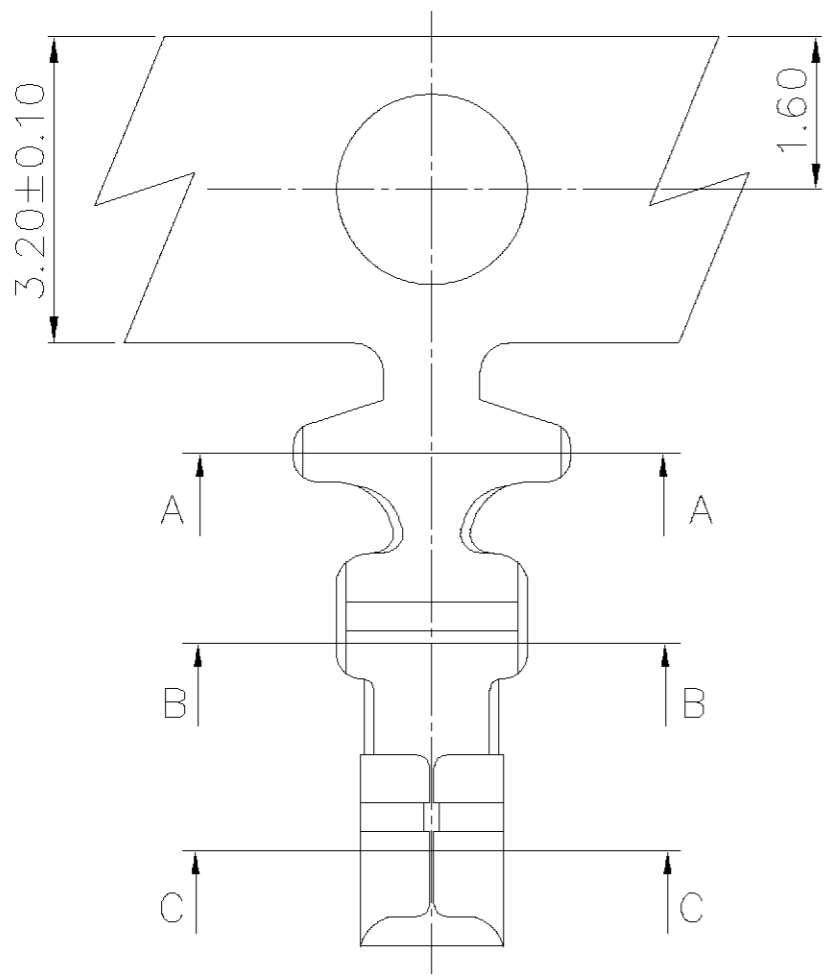
THIS INFORMATION IS CONFIDENTIAL AND IS DISCLOSED TO YOU ON CONDITION THAT NO FURTHER DISCLOSURE IS MADE BY YOU TO OTHER THAN AMP PERSONNEL WITHOUT WRITTEN AUTHORIZATION FROM AMP (TAIWAN) LTD. DIMENSIONS IN MILLIMETERS. DO NOT SCALE PRINT.

PRINT DIST
DW

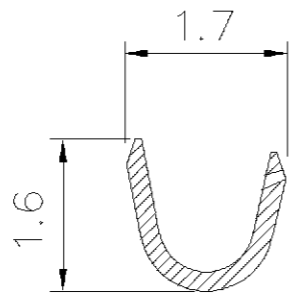
METRIC



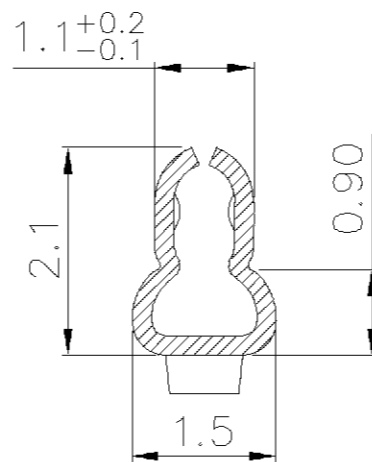
NUMBER
C-440134



SEC A-A



SEC B-B



SEC C-C

NOTE:

1. MATERIAL: PHOSPHOR BRONZE, THICKNESS: 0.20mm.
2. FINISH: PRE-TIN PLATED.
3. ACCEPTS HOUSING: 440133
4. APPLICABLE WIRES: AWG #28-#22
5. INSULATION O.D.: 1.0 TO 1.9mm
6. Q'TY/REEL: 10,000 PCS.
7. GENERAL TOLERANCE: ±0.3

440134-1
PART NUMBER

C	REVISED DRAWING	FZ00-0025-05	SH	04FEB	2005
B	REVISED	FZ00-0172-02	OH	06AUG	2002
LTR	REVISION RECORD	ECN	DWN	CHK	DATE

TOLERANCES UNLESS OTHERWISE SPECIFIED:		DWN	S. HOU	tyco		TYCO HOLDINGS (BERMUDA)	
0 PLC	±0.50		04-FEB-2005	Electronics		VII LTD. TAIWAN BRANCH	
1 PLC	±0.30	CHK	W.J. KE	NAME			
2 PLC	±0.20		04-FEB-2005	2.5 MM PITCH HPI CRIMP CONTACT.			
3 PLC	±0.10	MATERIAL		APVD	W.J. KE	LOC	
ANGLES	±	SEE NOTE			04-FEB-2005	SIZE	DRAWING NO
		FINISH		PRODUCT SPEC		SCALE	SHEET
		SEE NOTE		108-57099		--	1 OF 1
		SEE NOTE		APPLICATION SPEC	114-57004	REV	C
				WEIGHT		CUSTOMER DRAWING	

8 7 6 5 4 3 2 1